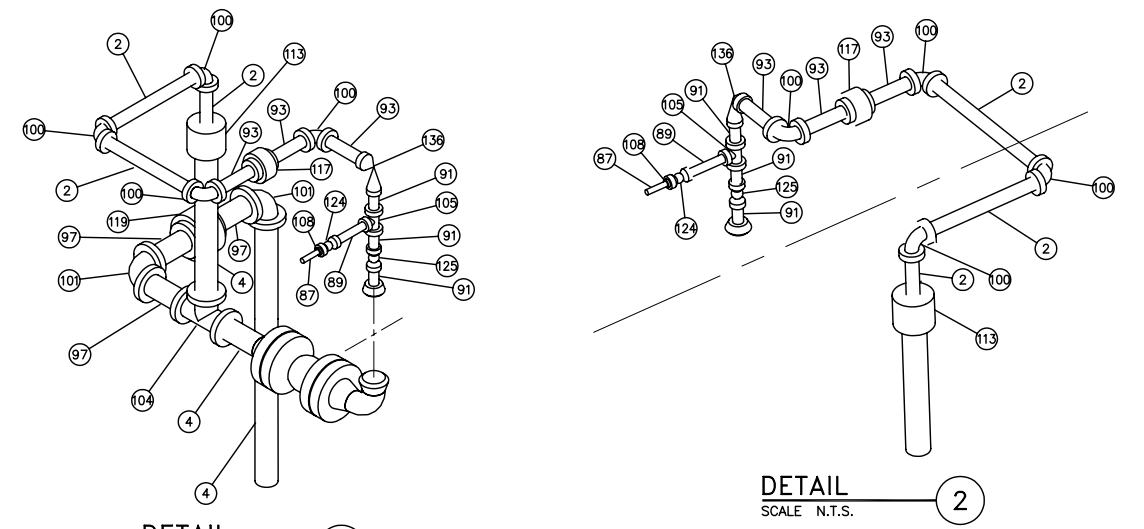
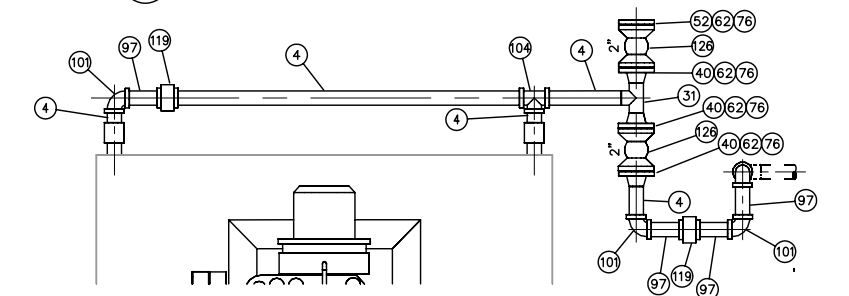


MP-103

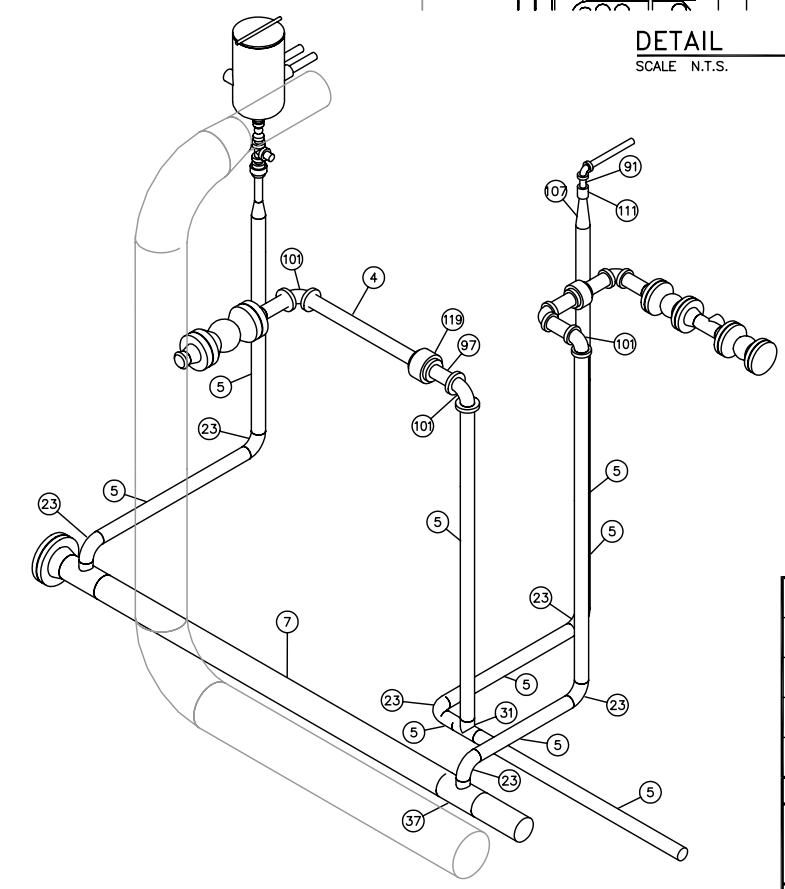


DETAIL 1
SCALE N.T.S.

DETAIL 2
SCALE N.T.S.



DETAIL 3
SCALE N.T.S.



DETAIL 4
SCALE N.T.S.

NO	REVISION	DATE	APPR	BY
1	AS-BUILT	2/14/08		ADJ
0	ISSUED FOR CONSTRUCTION	2/23/07		ADJ

ENBRIDGE PIPELINES (ND)

ALEXANDER (ND) STATION

PIPING PLAN
NEW MAINLINE PUMP

PROJECT:	SCALE: 3/8"=1'-0"	DATE: 11/15/06	DRAWN: ADJ
CHECK:	APPR:	DATE:	

DWG. NO. 2447-P-002

Rooney Engineering, Inc.
12201 E. Arapahoe Rd.
Centennial, CO 80112
(303) 792-5911