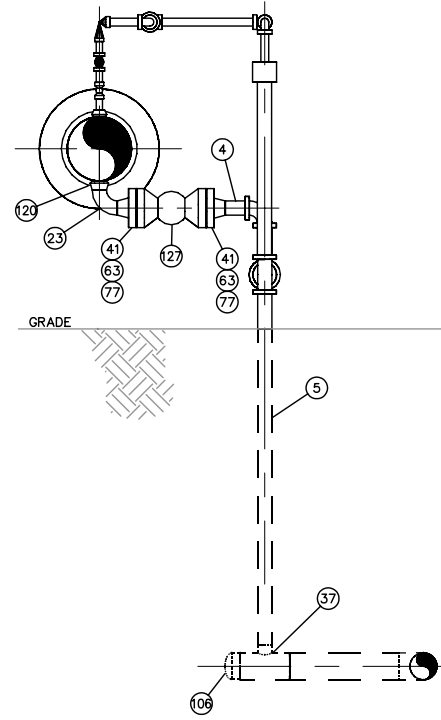
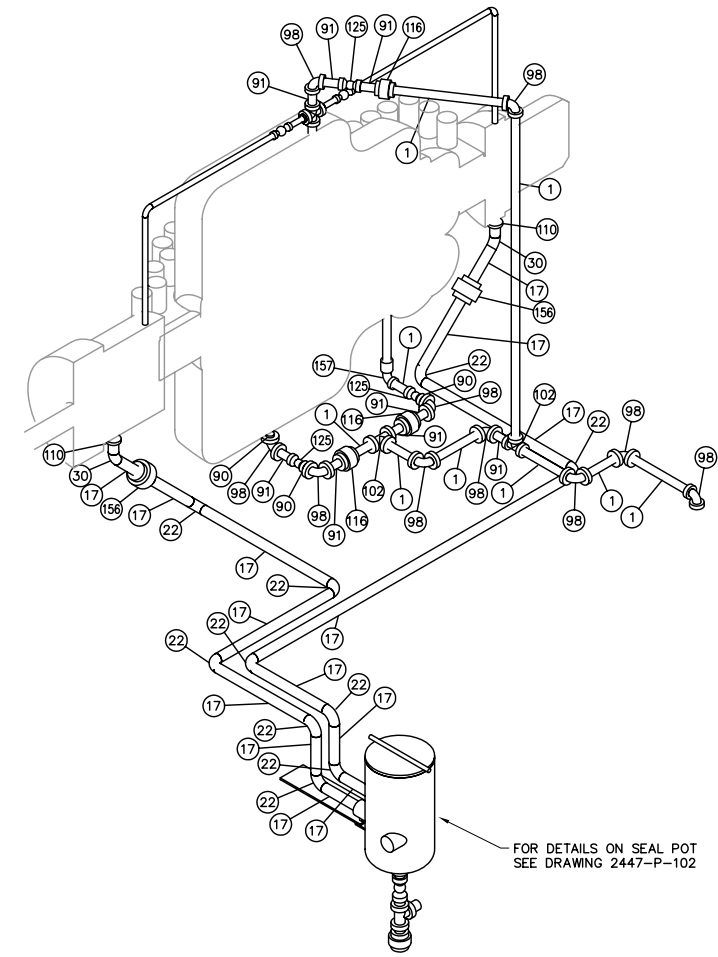


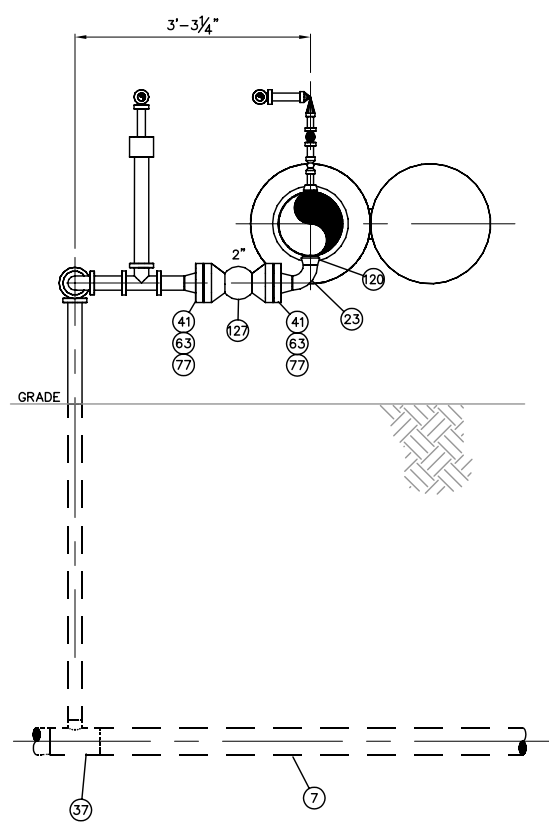
SECTION F
SCALE 3/8"=1'-0"



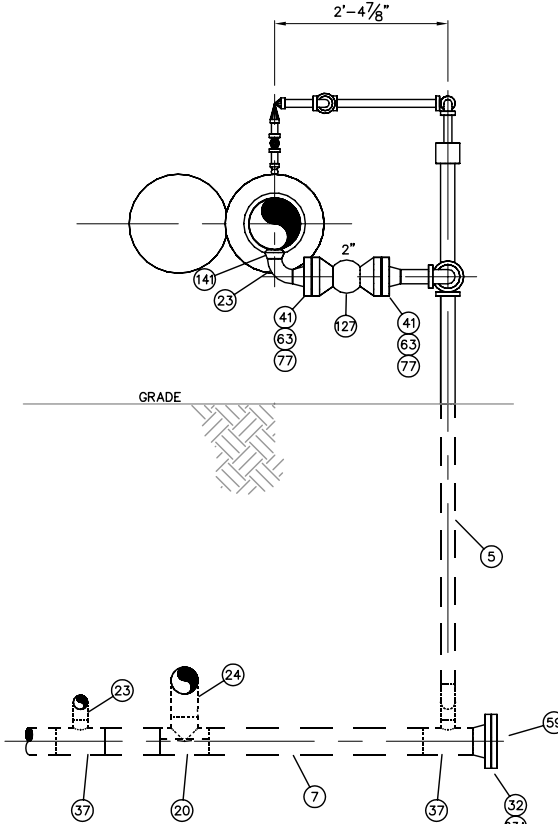
SECTION G
SCALE 3/8"=1'-0"



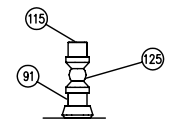
DETAIL 1
SCALE N.T.S.



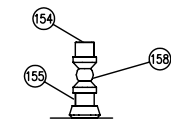
SECTION D
SCALE 3/4"=1'-0"



SECTION E
SCALE 3/4"=1'-0"



DETAIL 2
SCALE N.T.S.



DETAIL 3
SCALE N.T.S.

Rooney Engineering, Inc.
12201 E. Arapahoe Rd.
Centennial, CO 80112
(303) 792-5911

NO	REVISION	DATE	APPR	BY
1	AS-BUILT	2/14/08		ADJ
0	ISSUED FOR CONSTRUCTION	2/23/07		ADJ

ENBRIDGE PIPELINES (ND)
ALEXANDER (ND) STATION
PIPING
SECTIONS AND DETAILS

PROJECT: ENBRIDGE ND EXPANSION		
SCALE: AS NOTED	DATE: 11/22/06	DRAWN: ADJ
CHECK:	APPR:	DATE:

DWG. NO. 2447-P-004