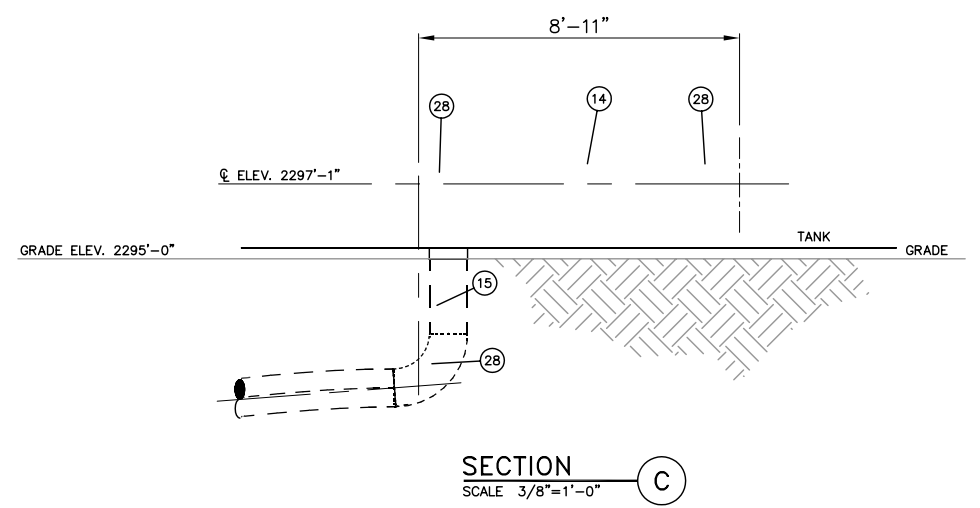
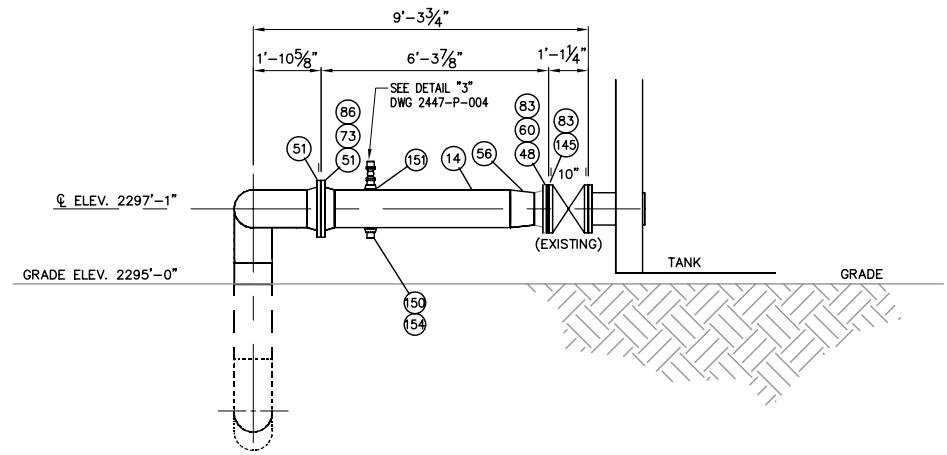


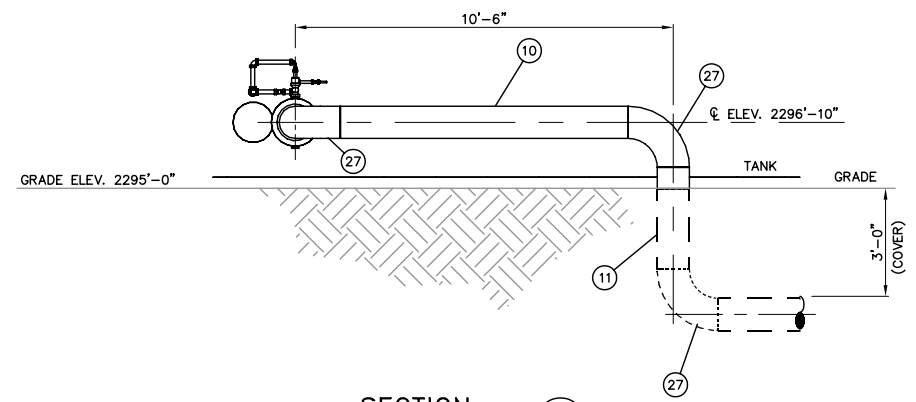
**PLAN**  
SCALE 3/8"=1'-0"



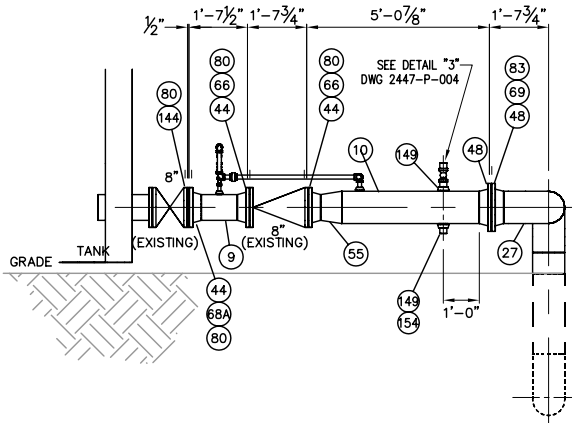
**SECTION C**  
SCALE 3/8"=1'-0"



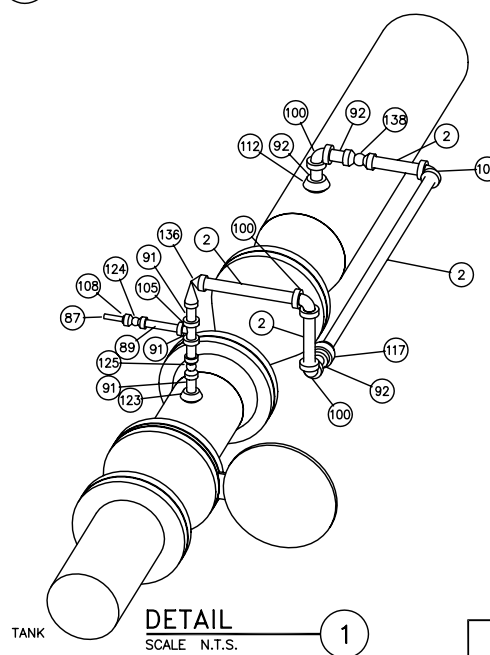
**SECTION D**  
SCALE 3/8"=1'-0"



**SECTION A**  
SCALE 3/8"=1'-0"



**SECTION B**  
SCALE 3/8"=1'-0"



**DETAIL 1**  
SCALE N.T.S.

NO	REVISION	DATE	APPR	BY
1	AS-BUILT	2/14/08		ADJ
0	ISSUED FOR CONSTRUCTION	2/23/07		ADJ

**ENBRIDGE PIPELINES (ND)**

**ALEXANDER (ND) STATION**

PIPING  
PLAN, SECTIONS AND DETAILS  
TANK A-9700 CONNECTION

PROJECT: ENBRIDGE ND EXPANSION		
SCALE: AS NOTED	DATE: 12/11/06	DRAWN: ADJ
CHECK:	APPR:	DATE:

DWG. NO. 2447-P-006

**Rooney Engineering, Inc.**  
12201 E. Arapahoe Rd.  
Centennial, CO 80112  
(303) 792-5911