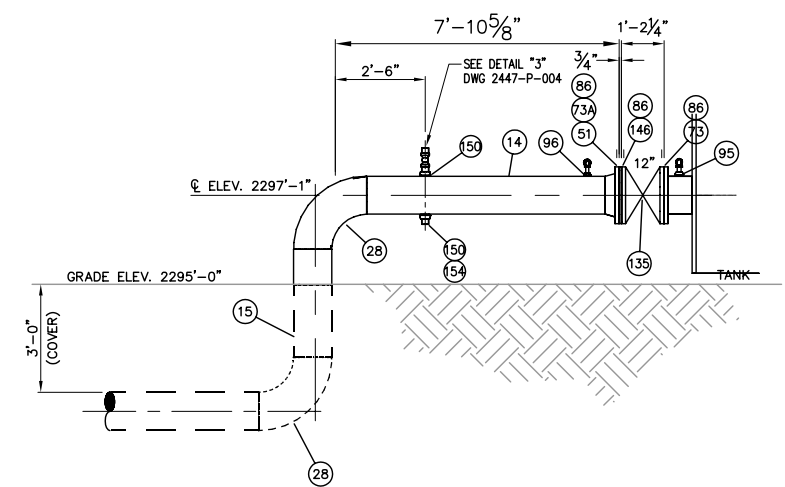
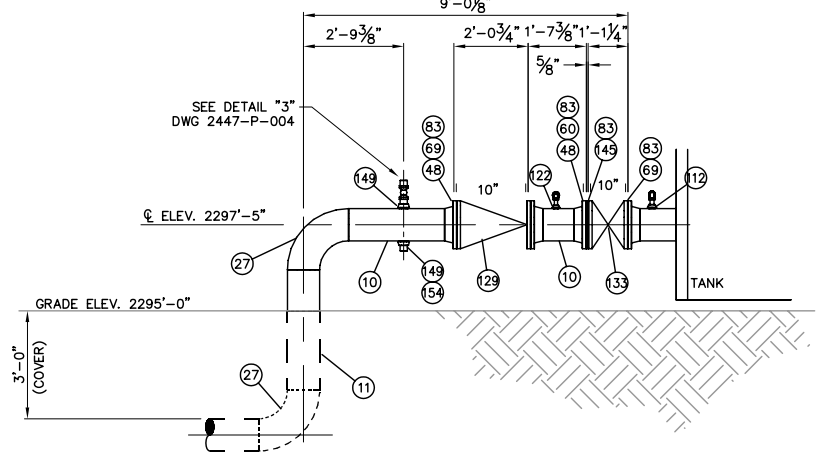


A-9701

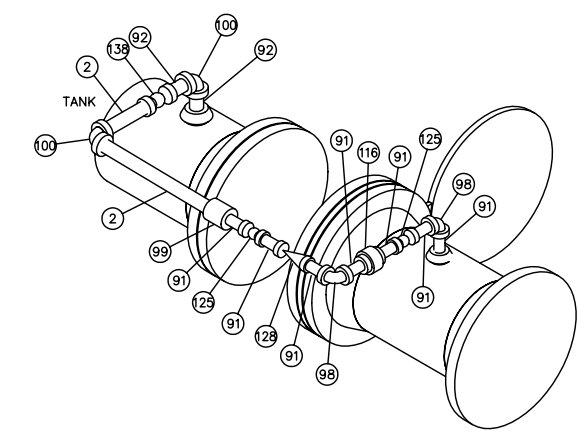
PLAN
SCALE 3/8"=1'-0"



SECTION A
SCALE 3/8"=1'-0"



SECTION B
SCALE 3/8"=1'-0"



DETAIL 1
SCALE N.T.S.

NO	REVISION	DATE	APPR	BY
1	AS-BUILT	2/14/08		ADJ
0	ISSUED FOR CONSTRUCTION	2/23/07		ADJ

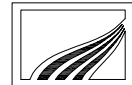
ENBRIDGE PIPELINES (ND)

ALEXANDER (ND) STATION

PIPING
PLAN, SECTIONS AND DETAILS
TANK CONNECTION (NEW TANK)

PROJECT: ENBRIDGE ND EXPANSION		
SCALE: AS NOTED	DATE: 12/11/06	DRAWN: ADJ
CHECK:	APPR:	DATE:

DWG. NO. 2447-P-007



Rooney Engineering, Inc.
12201 E. Arapahoe Rd.
Centennial, CO 80112
(303) 792-5911