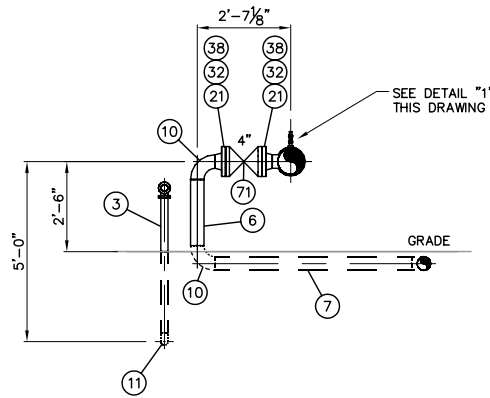
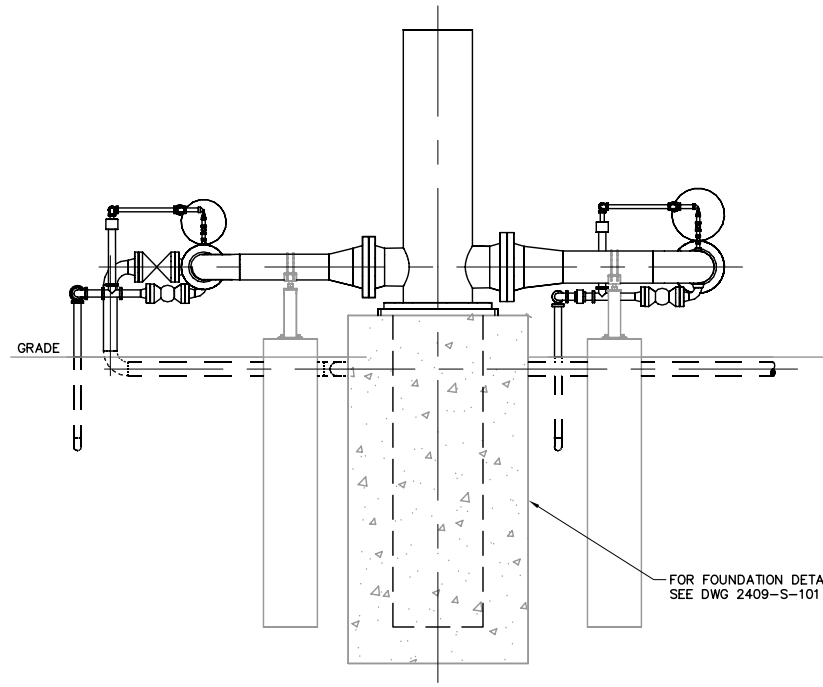


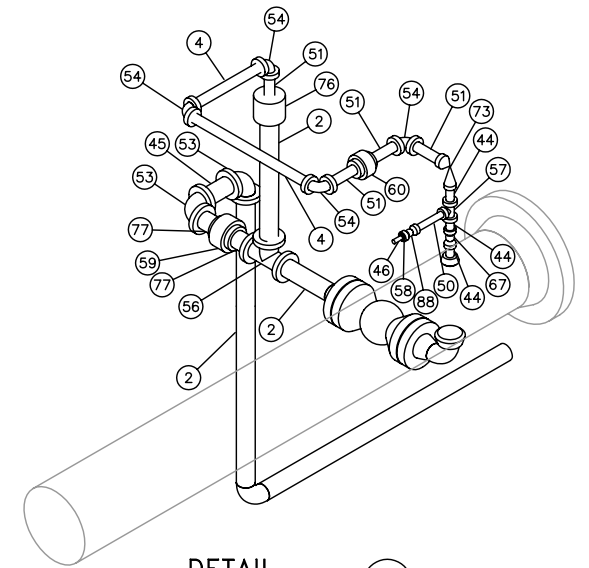
SECTION A  
SCALE 1"=1'-0"



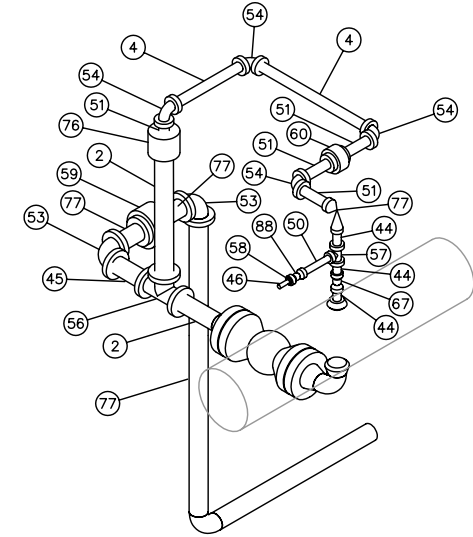
SECTION B  
SCALE 3/8"=1'-0"



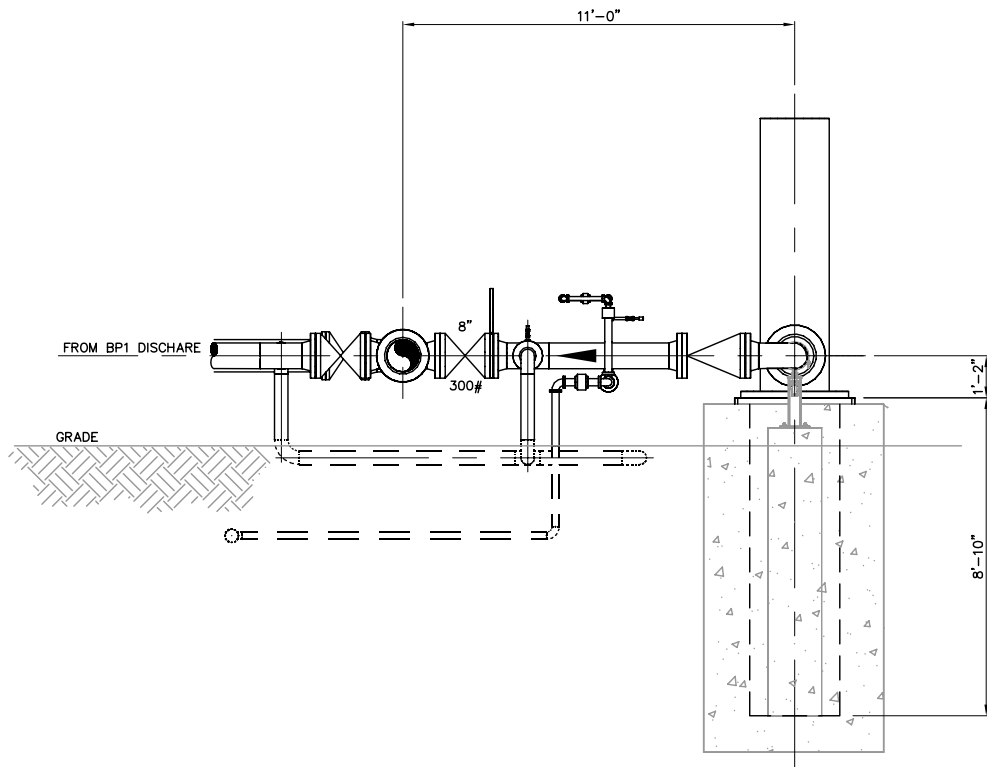
SECTION C  
SCALE 3/8"=1'-0"



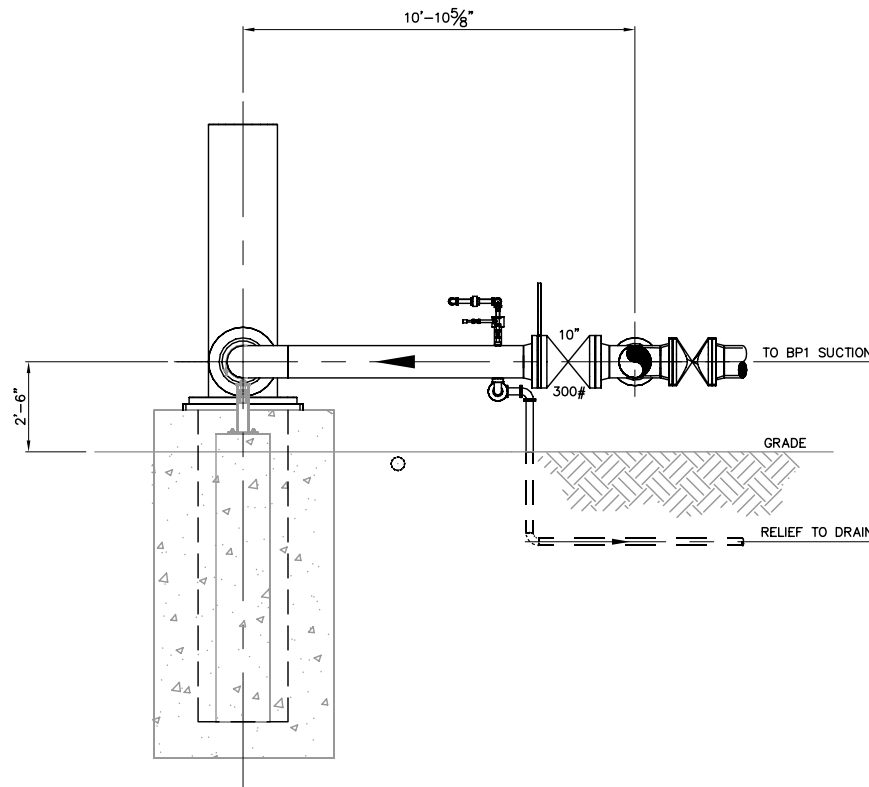
DETAIL 2  
SCALE NTS



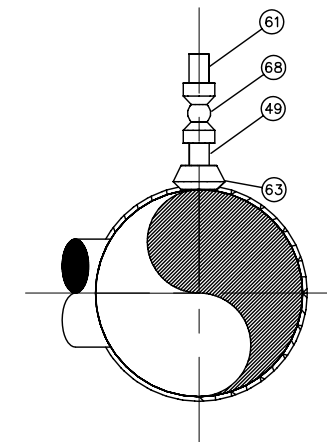
DETAIL 3  
SCALE NTS



SECTION D  
SCALE 3/8"=1'-0"



SECTION E  
SCALE 3/8"=1'-0"



DETAIL 1  
SCALE NTS

NO	REVISION	DATE	APPR	BY
1	AS-BUILT	12/18/07	EK	ADJ
0	ISSUED FOR CONSTRUCTION	10/24/06	EK	ADJ


**ENBRIDGE PIPELINES (ND)**

**BEAVER LODGE (ND) STATION**

PIPING SECTIONS  
BOOSTER PUMP ADDITION

PROJECT: ENBRIDGE ND EXPANSION		
SCALE: 3/8"=1'-0"	DATE: 04/20/06	DRAWN: ADJ
CHECK:	APPR:	DATE:

DWG. NO. 2409-P-002

  
**Rooney Engineering, Inc.**  
 12201 E. Arapahoe Rd.  
 Centennial, CO 80112  
 (303) 792-5911