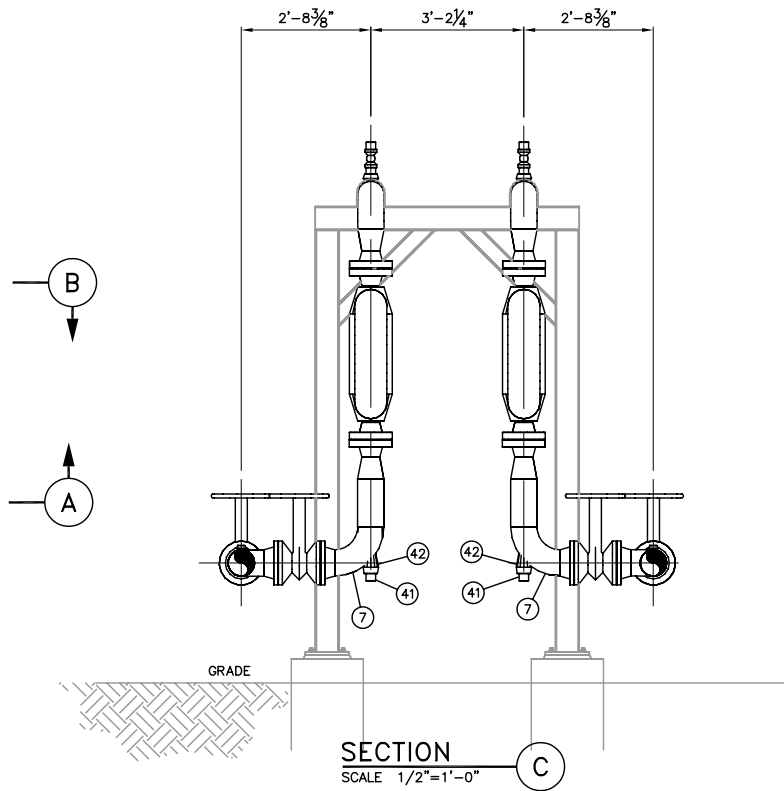
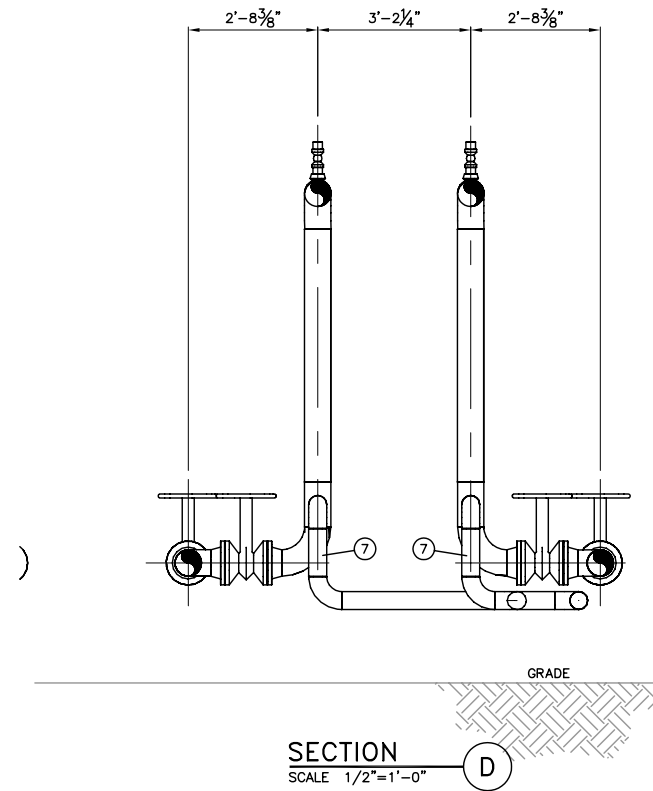


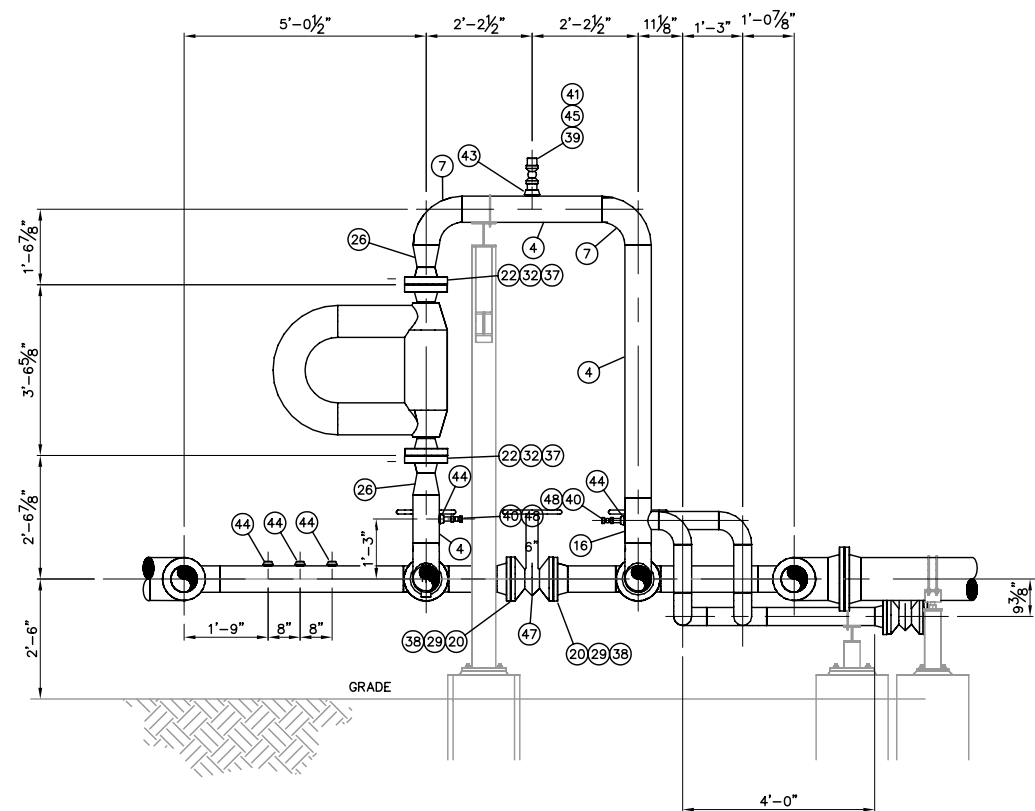
PLAN
SCALE 1/2"=1'-0"



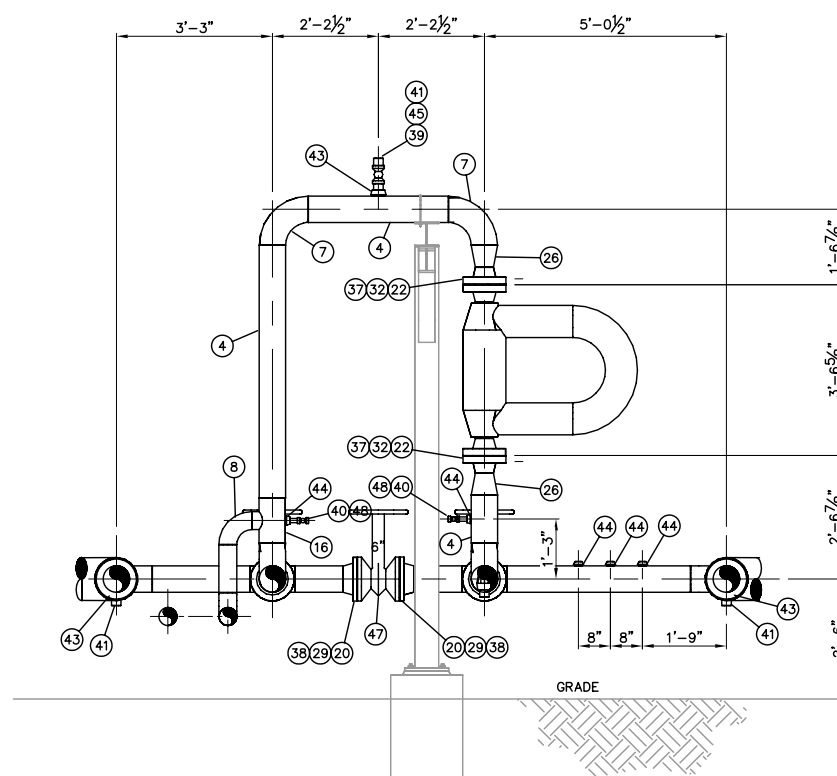
SECTION C
SCALE 1/2"=1'-0"



SECTION D
SCALE 1/2"=1'-0"



SECTION A
SCALE 1/2"=1'-0"



SECTION B
SCALE 1/2"=1'-0"

Rooney Engineering, Inc.
12201 E. Arapahoe Rd.
Centennial, CO 80112
(303) 792-5911

NO	REVISION	DATE	APPR	BY
1	ISSUED FOR AS-BUILT	01/31/08	JRW	ADJ
0	ISSUED FOR CONSTRUCTION	7/18/07	JRW	ADJ

ENBRIDGE PIPELINES (ND)

BEAVER LODGE (ND) STATION

10" FROM TRENTON TIE-IN
METERING DETAILS

PROJECT: ENBRIDGE ND EXPANSION		
SCALE: AS NOTED	DATE: 5/2/07	DRAWN: ADJ
CHECK:	APPR:	DATE:

DWG. NO. 2424-P-013