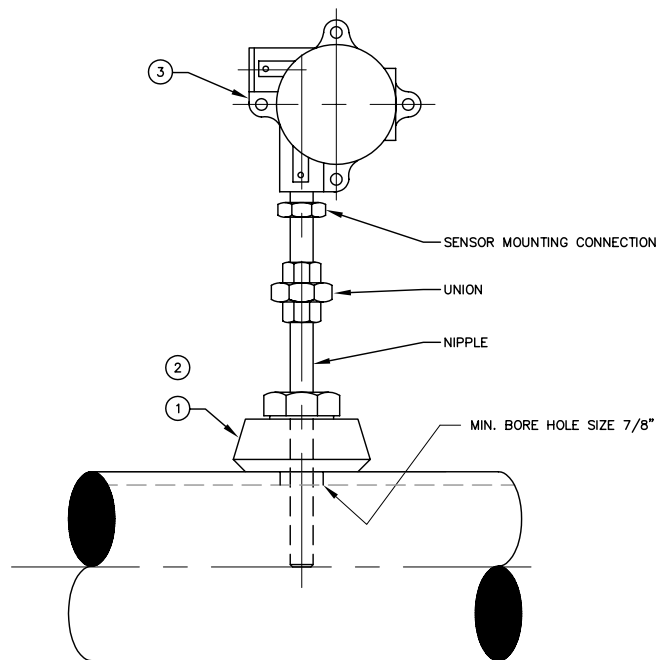


SECTION A-A

NOTE:
MANIFOLD HAS THREADED CONNECTION
TO ROSEMOUNT PRESSURE TRANSMITTER

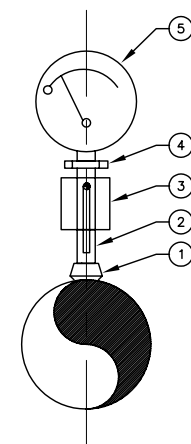
BILL OF MATERIALS				
MARK	QTY	SIZE	DESCRIPTION	LENGTH
1	1	3/4"	THRED-O-LET, ASTM A-105, FNPT, 3000#, GRADE B, ANSI B16.9	
2	1	3/4"	NIPPLE, ASTM A-106, MNPT, SCH. 160, GRADE B, TBE	4"
3	1	3/4"	BALL VALVE, SERIES 800 WOG 3000#, FNPT, FUL PORT, 316SS BALL AND NACE TRIM, CS BODY, PTFE SEATS, API 6D OR ASME B16.34, FIRE SAFE DESIGN, WKM 3/4F-B138-CS2-43-S2-WR	
4	1	3/4"x1/2"	BUSHING, THRD 3000LB, HEXAGON HEAD	
5	1	1/2"	NIPPLE, ASTM A-106, MNPT, SCH. 160, GRADE B TBE	2"
6	1		ROSEMOUNT INTERGRAL 2 VALVE MANIFOLD 0306RT22BA11	
7	1		ROSEMOUNT PRESSURE TRANSMITTER (W/ CONNECTION TO MANIFOLD) 3051S2TG4A11B1AD1K5M5Q4T1Q5	
8	1	1/4"	NIPPLE, ASTM A-106, MNPT, SCH. 160, GRADE B TBE	2"
9	1	1/4"	PARKER QUICK RELEASE	

PRESSURE TRANSMITTER
TYPICAL CONNECTION DETAIL



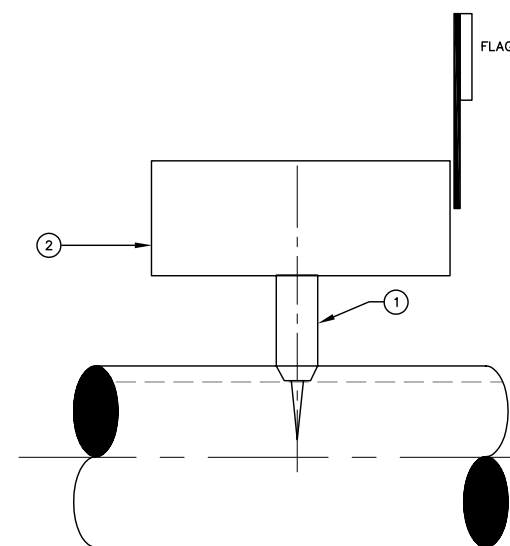
BILL OF MATERIALS				
MARK	QTY	SIZE	DESCRIPTION	LENGTH
1	1	3/4"	THRED-O-LET, ASTM A-105, FNPT, 3000#, GRADE B, ANSI B16.9	
2	1	3/4"	ROSEMONT THERMOWELL	
3	1		ROSEMOUNT TEMP. TRANSMITTER ASSY. 3144PD1A2K5B4M5T1XA	

TEMPERATURE TRANSMITTER-TYPICAL
CONNECTION DETAIL



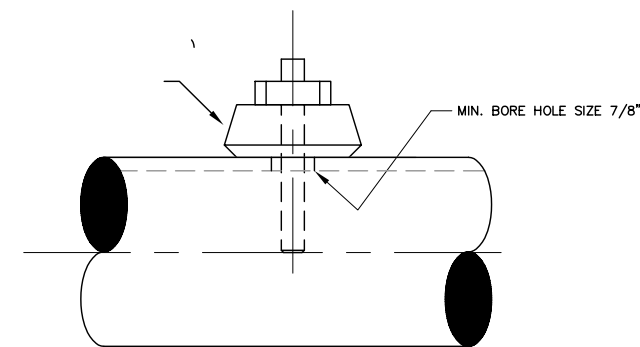
BILL OF MATERIALS				
MARK	QTY	SIZE	DESCRIPTION	LENGTH
1	1	3/4"	THRED-O-LET, ASTM A-105, FNPT, 3000#, GRADE B, ANSI B16.9	
2	1	3/4"	NIPPLE, ASTM A-106, MNPT, SCH. 160, GRADE B, TBE	4"
3	1	3/4"	BALL VALVE, SERIES 800 WOG 3000#, FNPT, FUL PORT, 316SS BALL AND NACE TRIM, CS BODY, PTFE SEATS, API 6D OR ASME B16.34, FIRE SAFE DESIGN, WKM 3/4F-B138-CS2-43-S2-WR	
4	1	3/4"x1/2"	BUSHING, THRD 3000LB, HEXAGON HEAD	
5	1		PRESSURE GAUGE 4" FACE, 0-2000 PSI, 1/2" MNPT CONNECTION	

PRESSURE INDICATOR TYPICAL
CONNECTION DETAIL



1	2"	CAP AND PLUG, TDW MODEL# TR-0000-0001-00 W/DETAIL-B FLAT BOTTOM BEVEL WELD
1		TDW PIG-SIG, FLAG/ELECTRICAL, BIDIRECTIONAL, MODEL 04-7778-2071-51

PIG SIG ACCESSORY



THERMOWELL-TYPICAL
CONNECTION DETAIL

NO	REVISION	DATE	APPR	BY
1	AS-BUILT	12/18/07	EK	ADJ
0	ISSUED FOR CONSTRUCTION	02/14/07	JH	ADJ

ENBRIDGE PIPELINES (ND)

BEAVER LODGE (ND) STATION
TYPICAL PIPING DETAILS

PROJECT:	SCALE: AS NOTED	DATE: 1/26/07	DRAWN: RMB
CHECK:	APPR:	DATE:	

DWG. NO. 2424-P-103



Rooney Engineering, Inc.
12201 E. Arapahoe Rd.
Centennial, CO 80112
(303) 792-5911