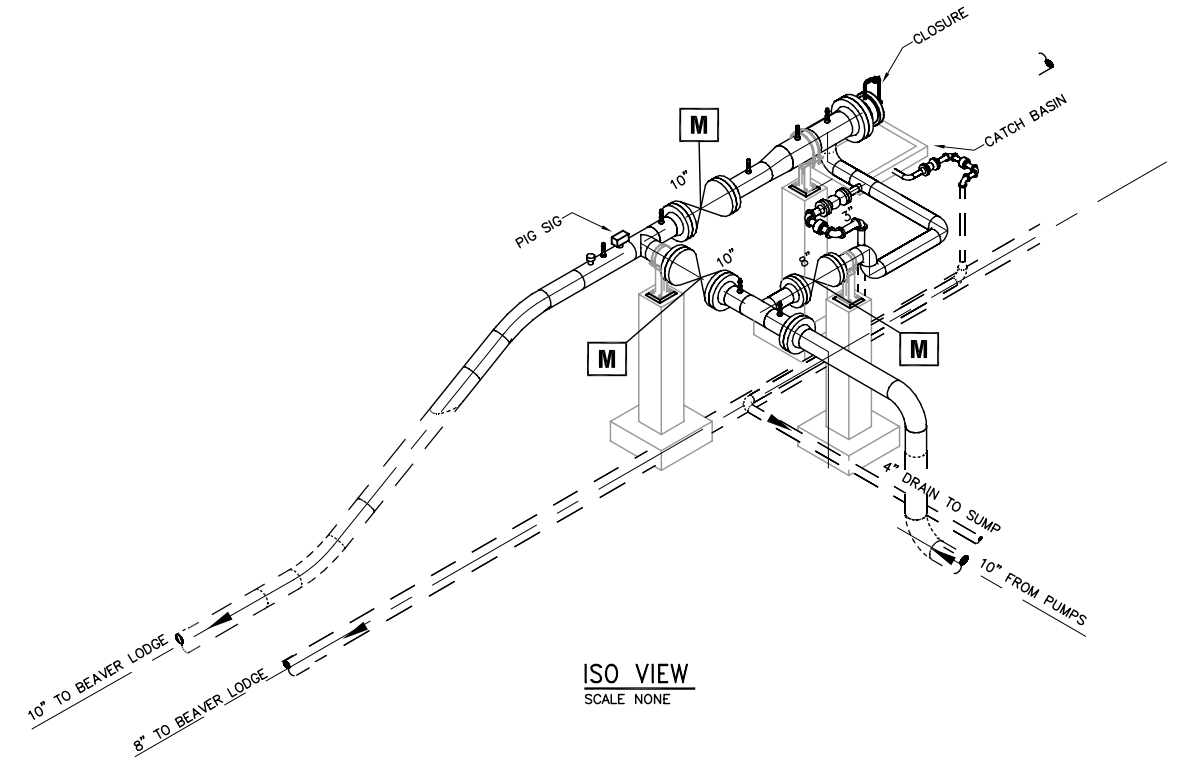


PLAN
SCALE 3/8"=1'-0"



ISO VIEW
SCALE NONE

NOTES:
1. FOR PIPE SUPPORT DETAILS & SCHEDULE SEE DRAWING 2424-S-101

NO	REVISION	DATE	APPR	BY
1	ISSUED FOR AS-BUILT	01/31/08	JRW	ADJ
0	ISSUED FOR CONSTRUCTION	05/23/07	JRW	ADJ

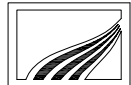
ENBRIDGE PIPELINES (ND)

TRENTON (ND) STATION

10" LAUNCHER
PIPING LAYOUT
PLAN

PROJECT:	SCALE: AS NOTED	DATE: 01/26/07	DRAWN: TJP
CHECK:	APPR:	DATE:	

DWG. NO. 2424-P-001



Rooney Engineering, Inc.
12201 E. Arapahoe Rd.
Centennial, CO 80112
(303) 792-5911