

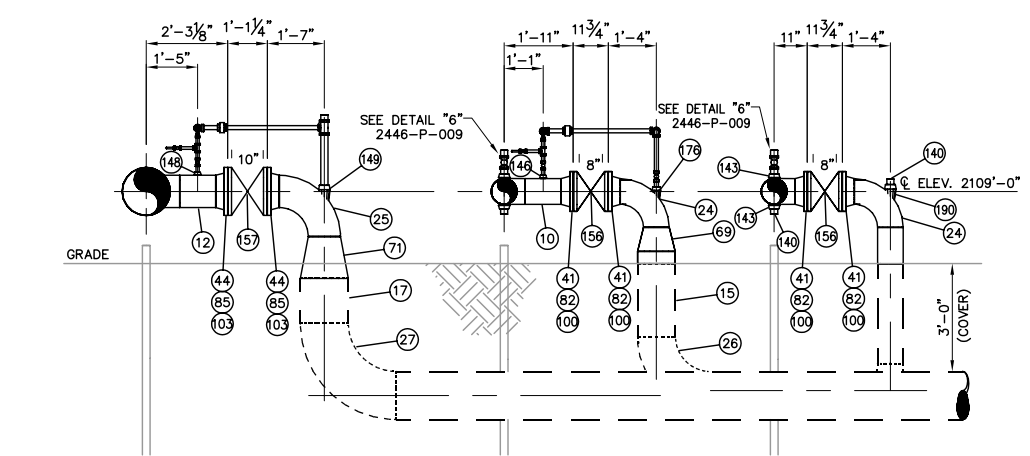
SECTION A  
SCALE 3/8"=1'-0"

SECTION B  
SCALE 3/8"=1'-0"

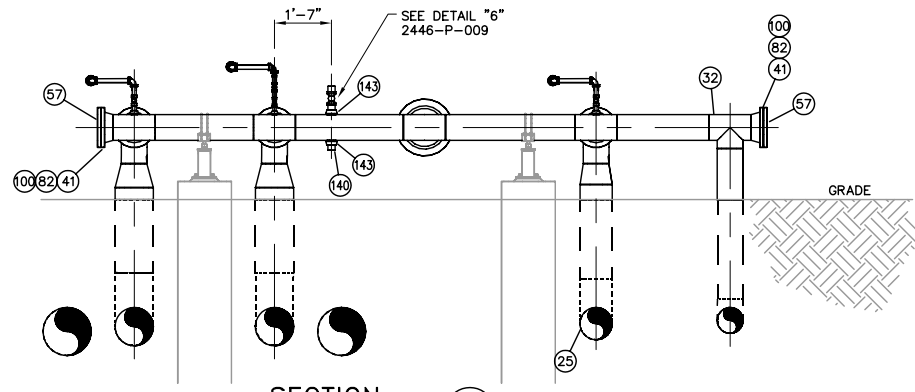
SECTION C  
SCALE 3/8"=1'-0"

TO MANIFOLD  
(BP/MLP-201)

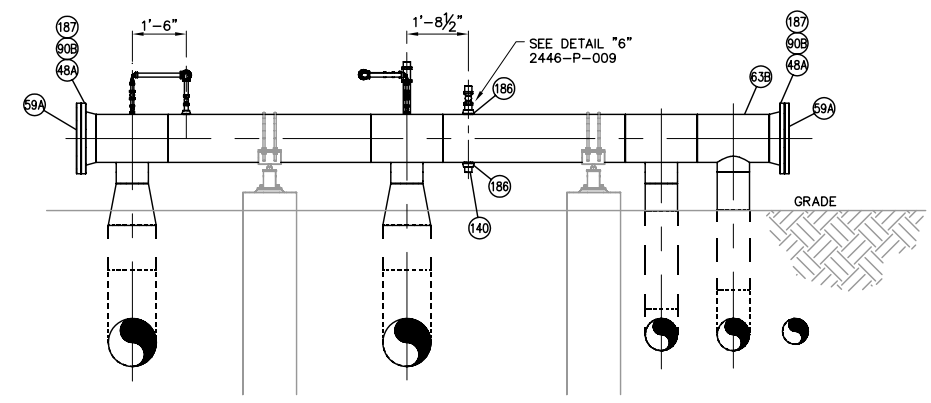
FROM MANIFOLD



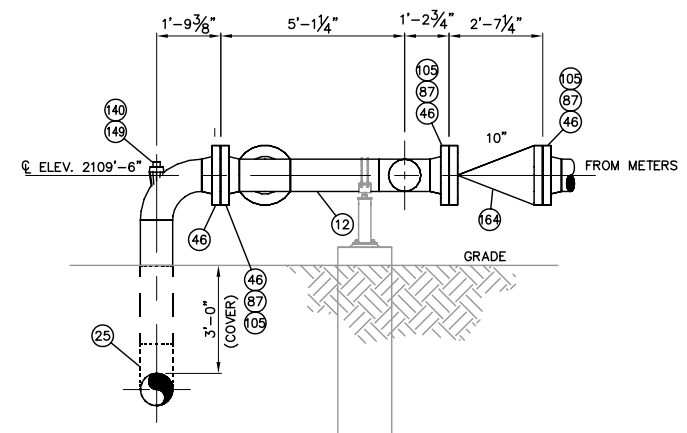
SECTION D  
SCALE 3/8"=1'-0"



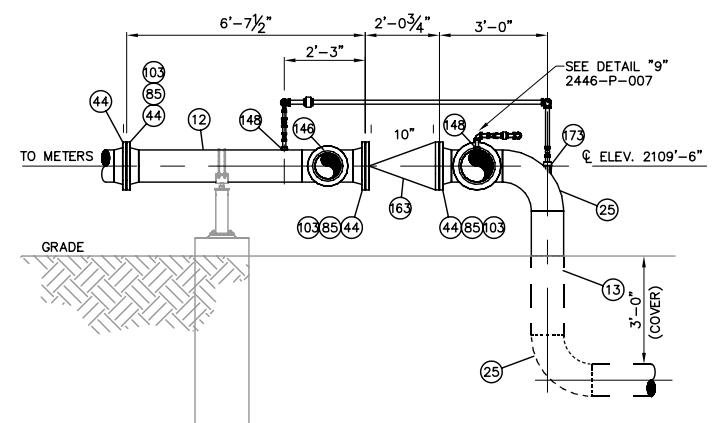
SECTION E  
SCALE 3/8"=1'-0"



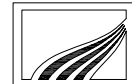
SECTION F  
SCALE 3/8"=1'-0"



SECTION G  
SCALE 3/8"=1'-0"



SECTION H  
SCALE 3/8"=1'-0"

  
**Rooney Engineering, Inc.**  
 12201 E. Arapahoe Rd.  
 Centennial, CO 80112  
 (303) 792-5911

1	AS-BUILT	2/12/08		
0	ISSUED FOR CONSTRUCTION	4/20/07		
NO	REVISION	DATE	APPR	BY

**ENBRIDGE PIPELINES (ND)**  
**TRENTON (ND) STATION**  
 PIPING SECTIONS AND DETAILS

PROJECT:	SCALE: 3/8"=1'-0"	DATE: 10/3/06	DRAWN: ADJ
CHECK:	APPR:	DATE:	

DWG. NO. 2446-P-006