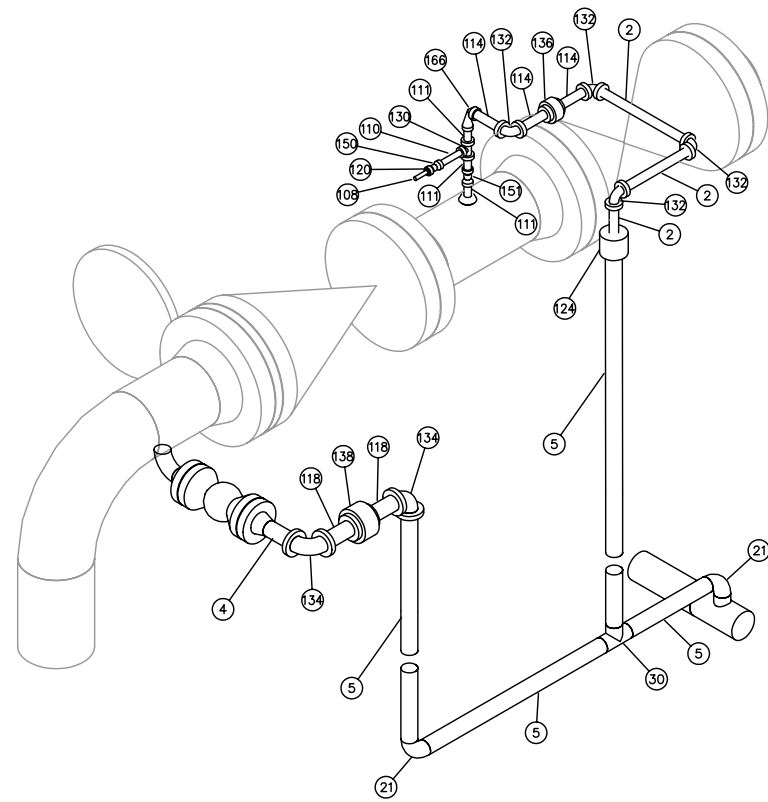
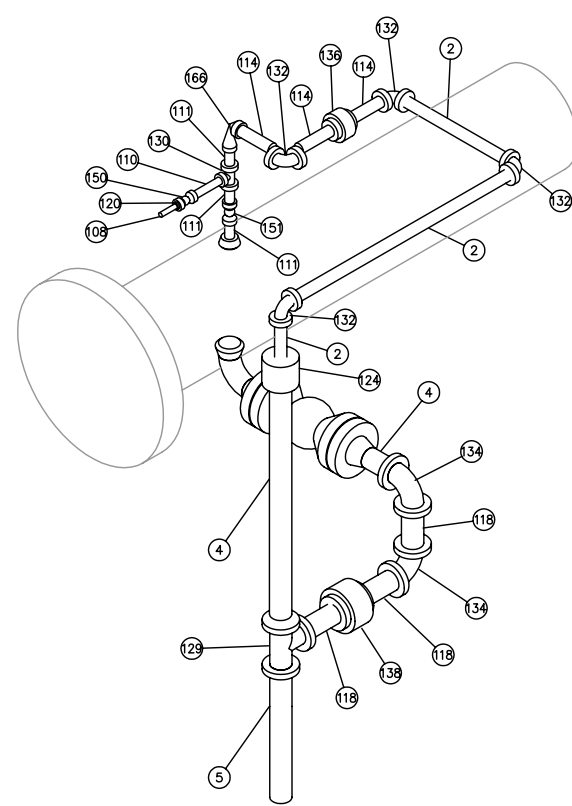


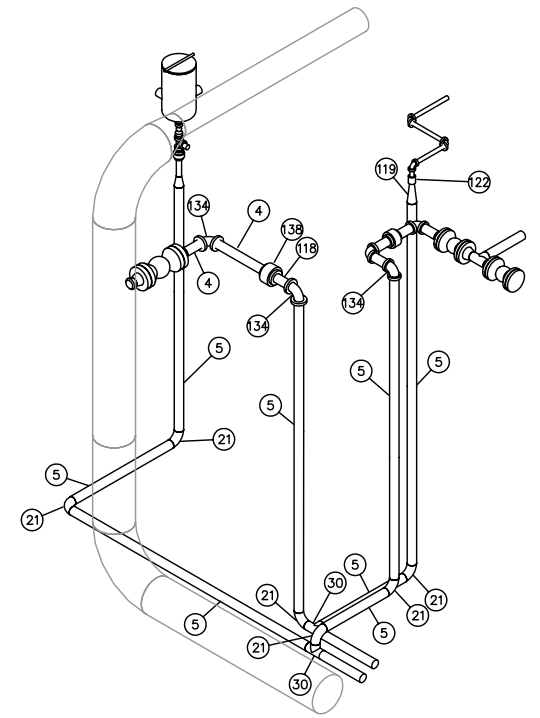
DETAIL  
SCALE N.T.S. 1



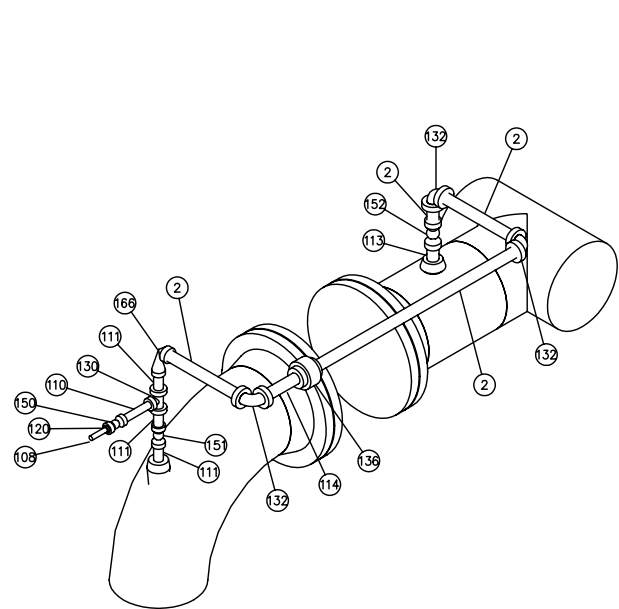
DETAIL  
SCALE N.T.S. 2



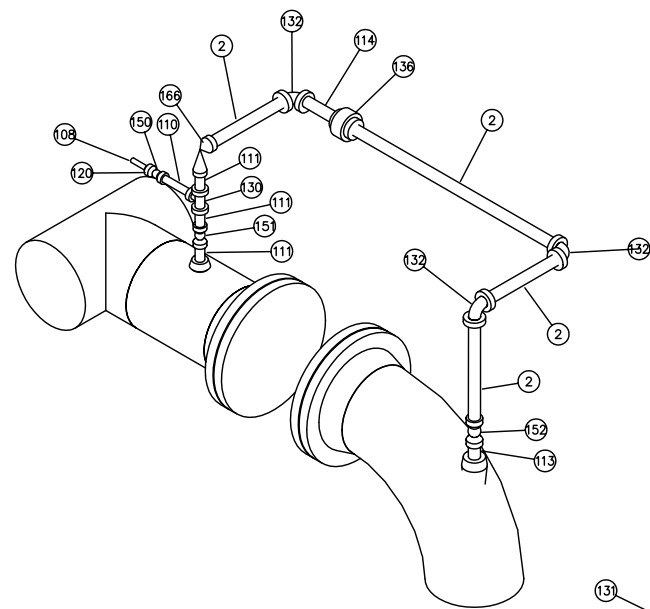
DETAIL  
SCALE N.T.S. 3



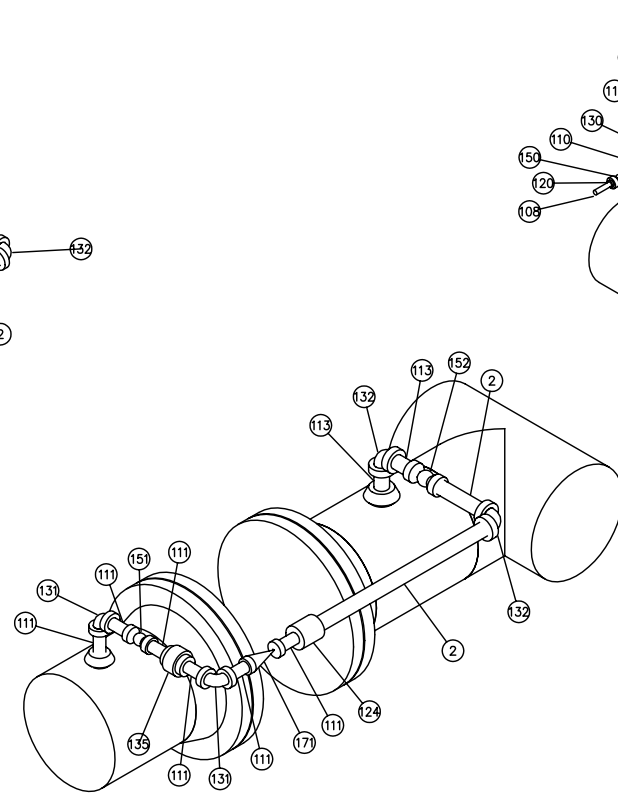
DETAIL  
SCALE N.T.S. 4



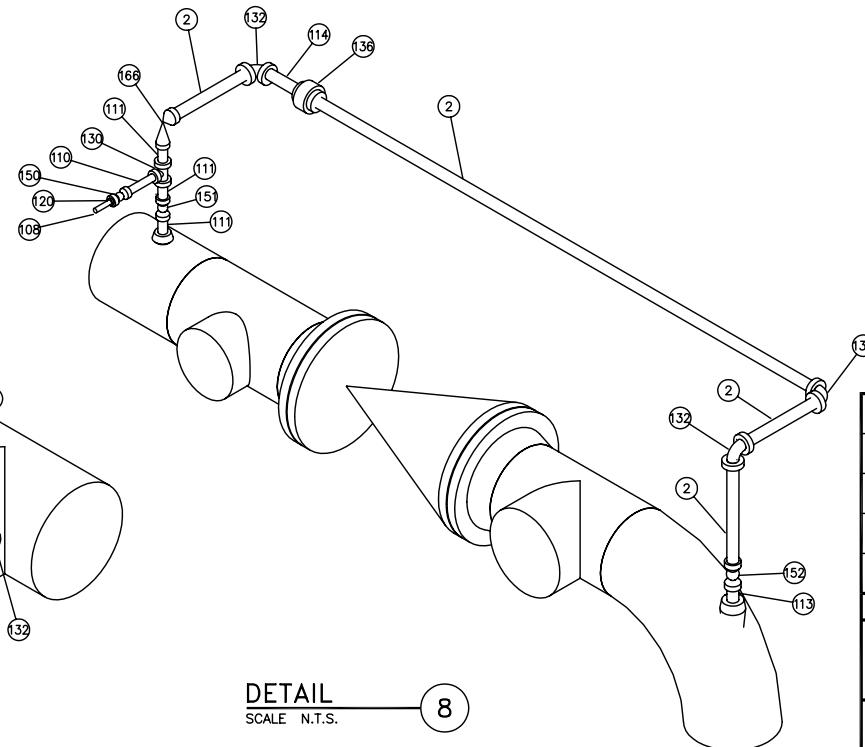
DETAIL  
SCALE N.T.S. 5



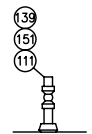
DETAIL  
SCALE N.T.S. 6



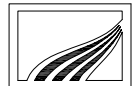
DETAIL  
SCALE N.T.S. 7



DETAIL  
SCALE N.T.S. 8



DETAIL  
SCALE 1"=1'-0" 9

  
**Rooney Engineering, Inc.**  
 12201 E. Arapahoe Rd.  
 Centennial, CO 80112  
 (303) 792-5911

NO	REVISION	DATE	APPR	BY
1	AS-BUILT	2/12/08		
0	ISSUED FOR CONSTRUCTION	4/20/07		

**ENBRIDGE PIPELINES (ND)**  
**TRENTON (ND) STATION**  
 PIPING SECTIONS AND DETAILS

PROJECT:	SCALE: AS NOTED	DATE: 1/16/07	DRAWN: ADJ
CHECK:	APPR:	DATE:	

DWG. NO. 2446-P-007