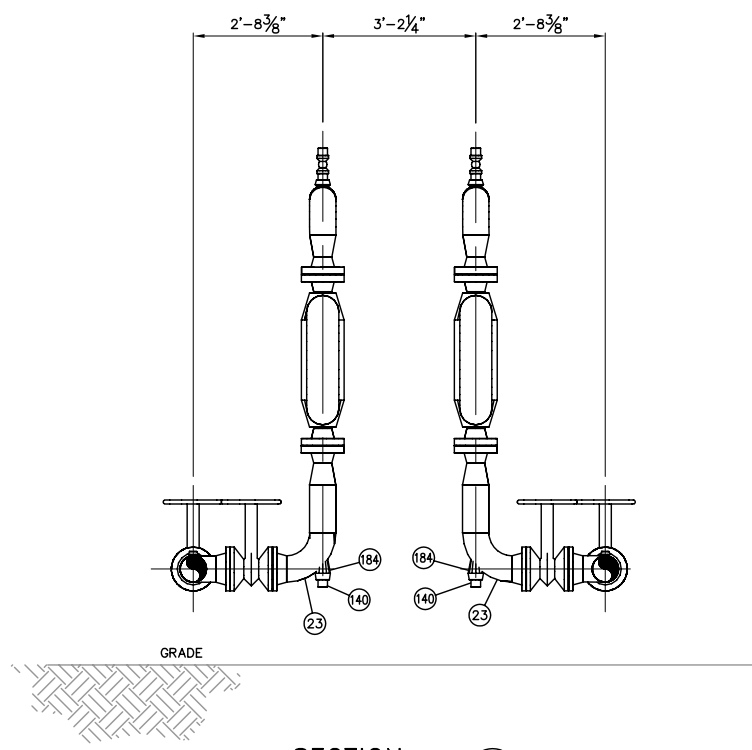
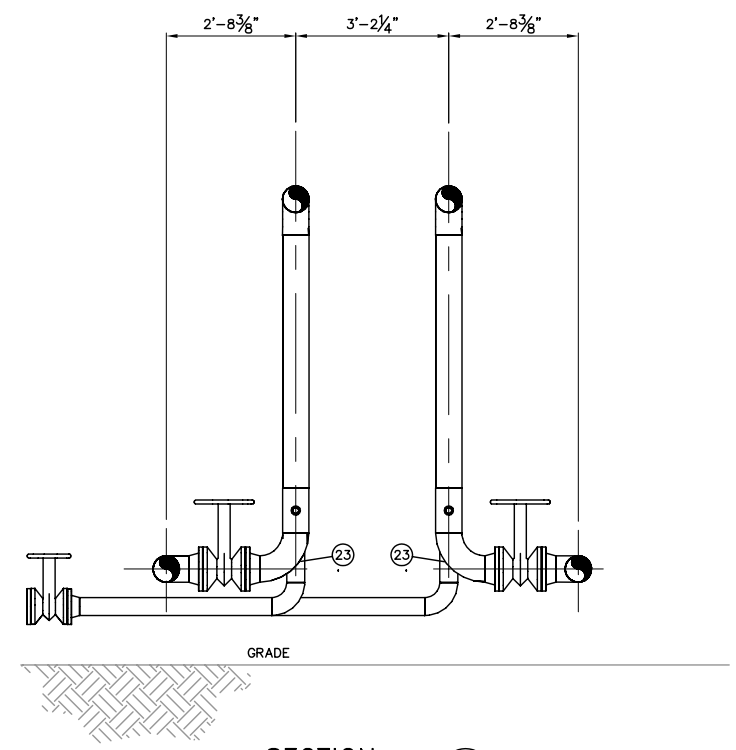


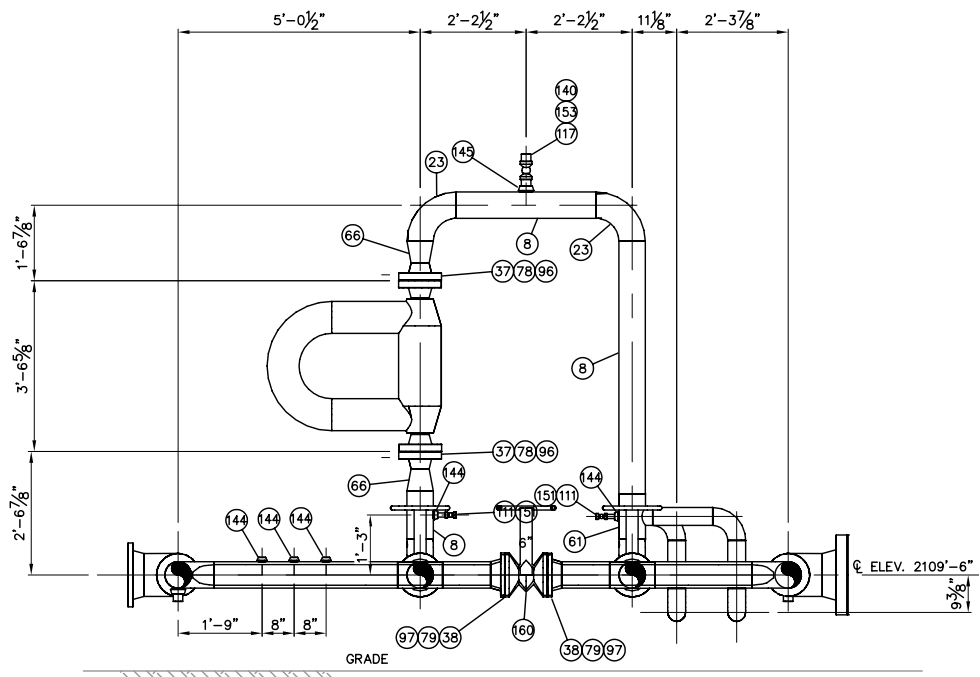
PLAN
SCALE 1/2"=1'-0"



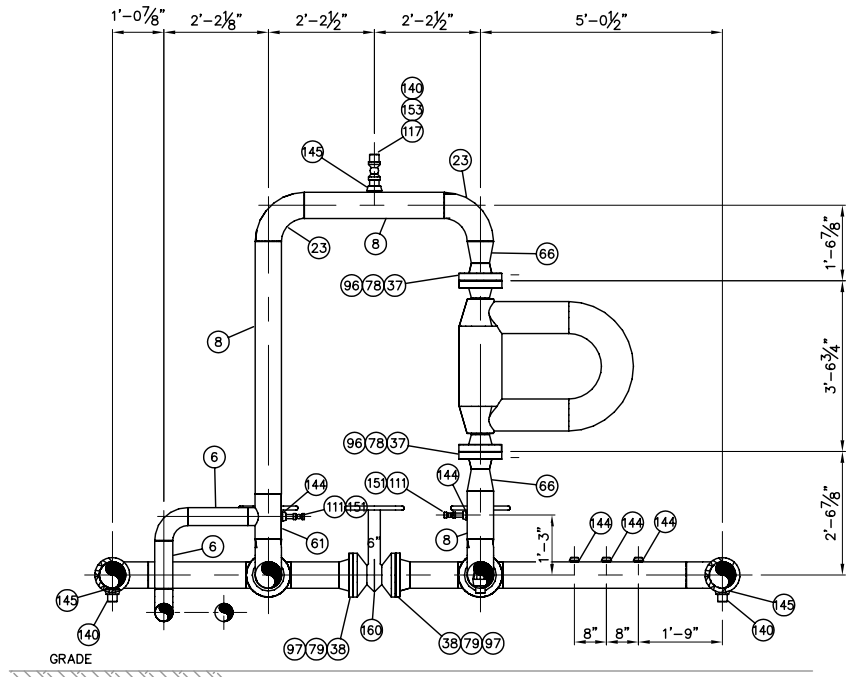
SECTION C
SCALE 1/2"=1'-0"



SECTION D
SCALE 1/2"=1'-0"



SECTION A
SCALE 1/2"=1'-0"



SECTION B
SCALE 1/2"=1'-0"

NO	REVISION	DATE	APPR	BY
1	AS-BUILT	2/12/08		
0	ISSUED FOR CONSTRUCTION	4/20/07		

ENBRIDGE PIPELINES (ND)

TRENTON (ND) STATION

PIPING DETAILS
METERING

PROJECT:	SCALE: AS NOTED	DATE: 1/16/07	DRAWN: ADJ
CHECK:	APPR:	DATE:	

DWG. NO. 2446-P-010

Rooney Engineering, Inc.
12201 E. Arapahoe Rd.
Centennial, CO 80112
(303) 792-5911