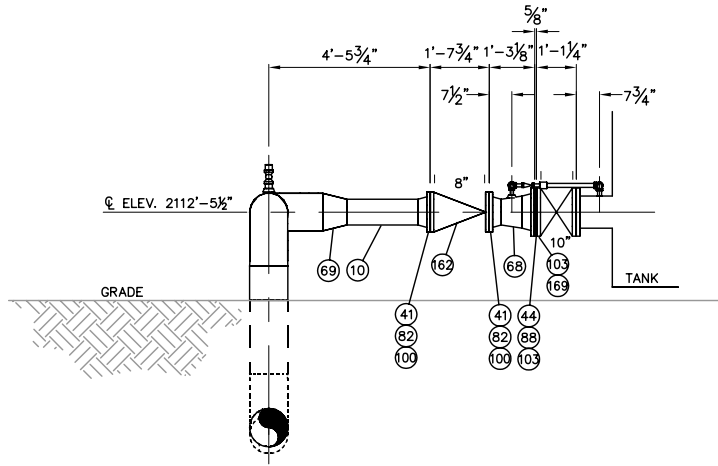
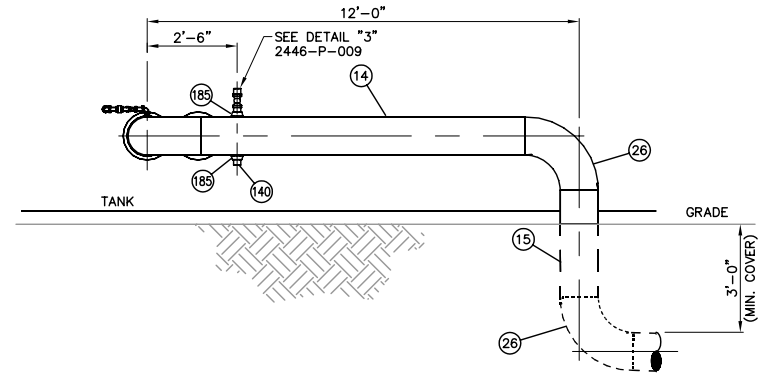


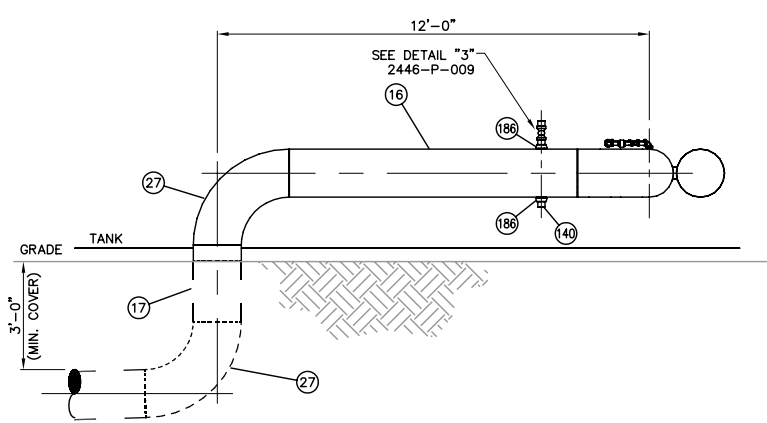
PLAN
SCALE 3/8"=1'-0"



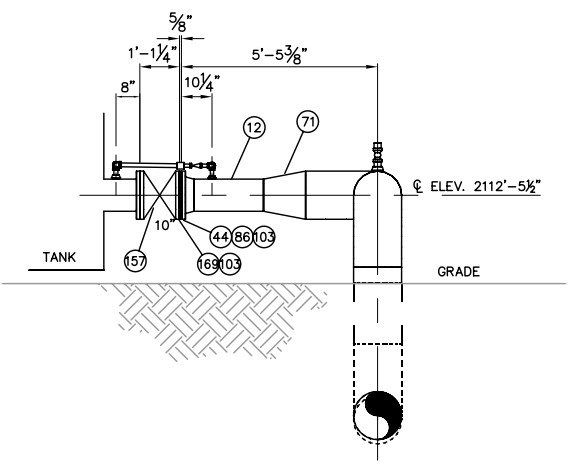
SECTION C
SCALE 3/8"=1'-0"



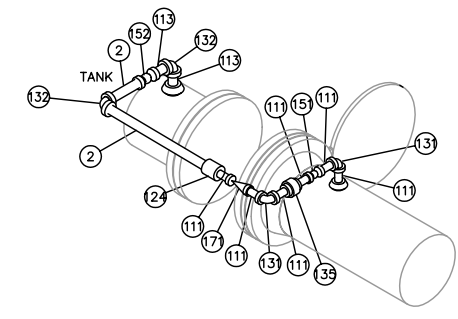
SECTION D
SCALE 3/8"=1'-0"



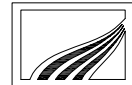
SECTION A
SCALE 3/8"=1'-0"




SECTION B
SCALE 3/8"=1'-0"



DETAIL 1
SCALE N.T.S.


Rooney Engineering, Inc.
 12201 E. Arapahoe Rd.
 Centennial, CO 80112
 (303) 792-5911

NO	REVISION	DATE	APPR	BY
1	AS-BUILT	01/31/08		ADJ
0	ISSUED FOR CONSTRUCTION	4/20/07		


TRENTON (ND) STATION
 PIPING DETAILS
 NEW TANK
 CONNECTIONS

PROJECT:	SCALE: AS NOTED	DATE: 1/16/07	DRAWN: ADJ
CHECK:	APPR:	DATE:	

DWG. NO. 2446-P-012