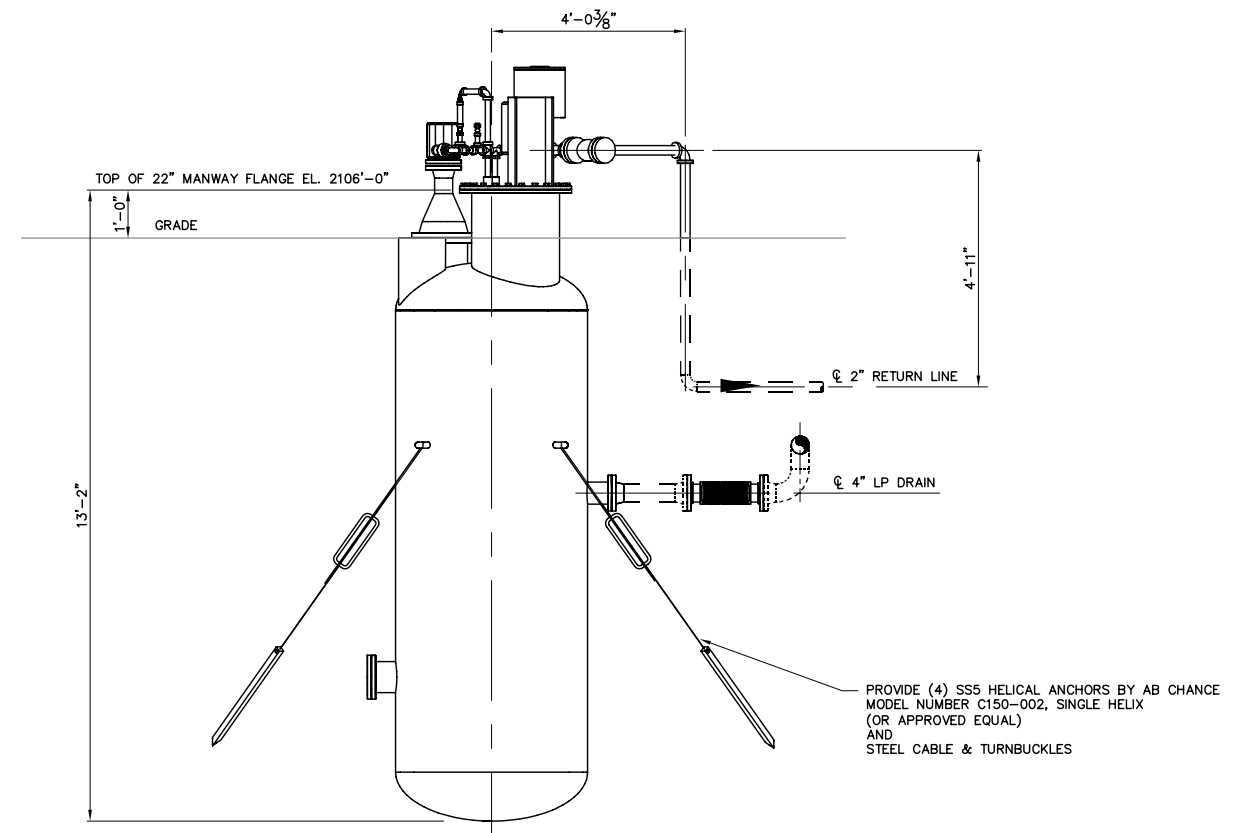
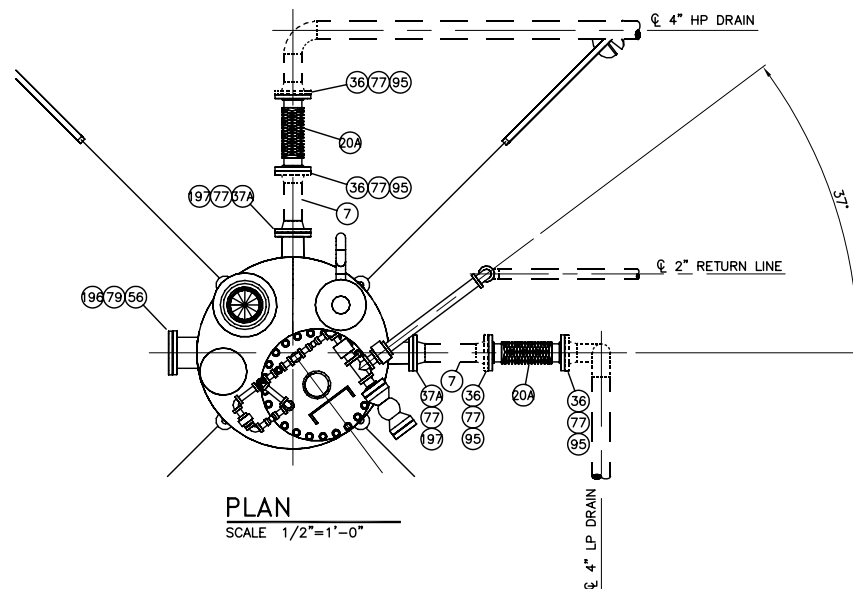


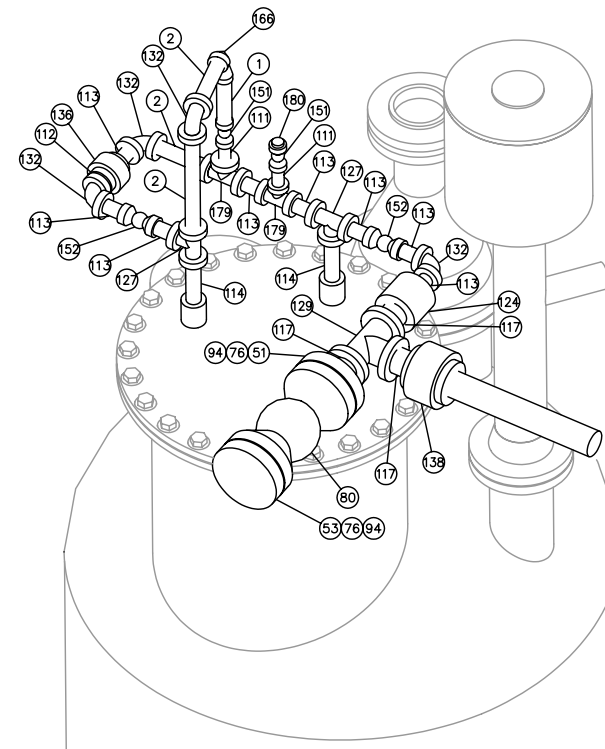
SECTION A
SCALE 1/2"=1'-0"



SECTION B
SCALE 1/2"=1'-0"



PLAN
SCALE 1/2"=1'-0"



ISO
SCALE N.T.S.

NOTES:
1. MIN. TURNBUCKLE DIA AS FOLLOWS:
HOOK-3/4", JAW-1/2", EYE-1/2", WIRE ROPE-3/8" W/2 CLIPS.

| NO | REVISION | DATE | APPR | BY |
|----|-------------------------|---------|------|----|
| 1 | AS-BUILT | 2/12/08 | | |
| 0 | ISSUED FOR CONSTRUCTION | 4/20/07 | | |

ENBRIDGE PIPELINES (ND)

TRENTON (ND) STATION

SUMP INSTALLATION
DETAILS AND SECTIONS

PROJECT: 02446

SCALE: AS NOTED

DATE: 1/5/07

DRAWN: ADJ

CHECK:

APPR:

DATE:

DWG. NO. 2446-P-013



Rooney Engineering, Inc.

12201 E. Arapahoe Rd.
Centennial, CO 80112
(303) 792-5911