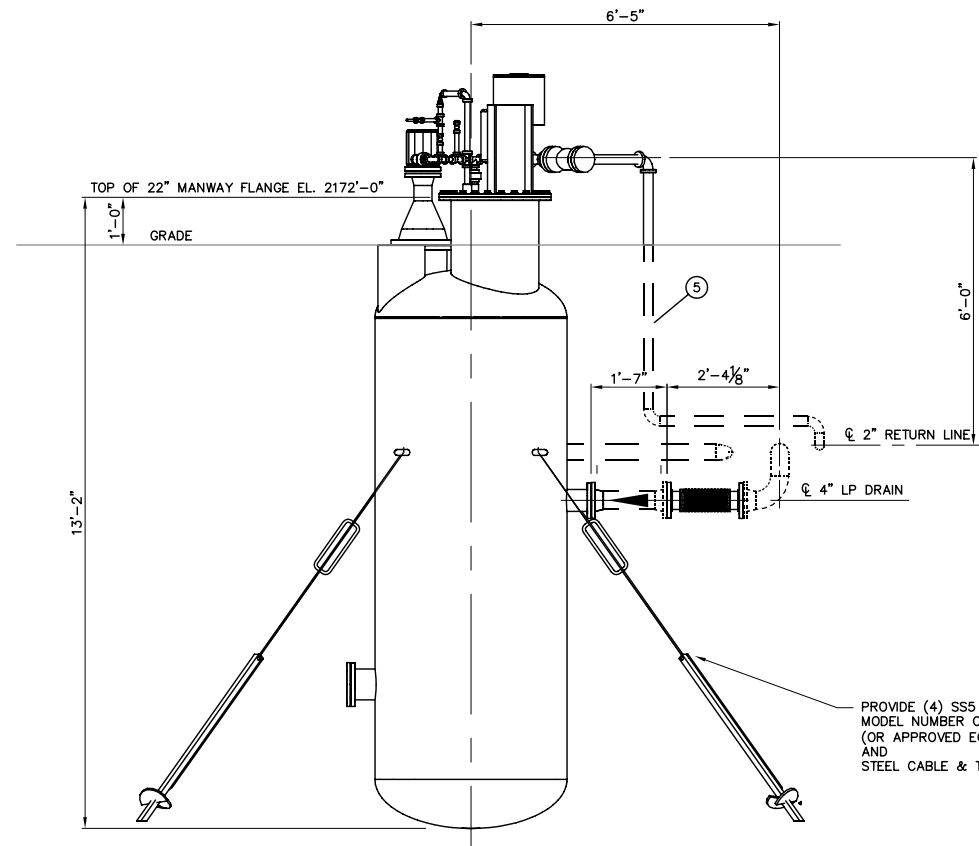
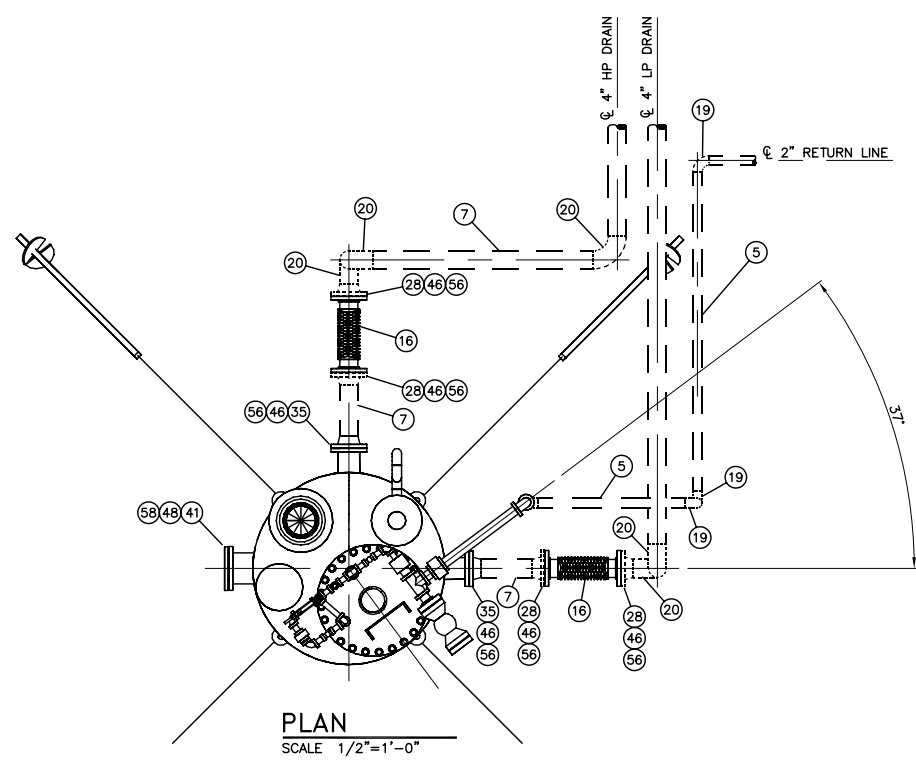


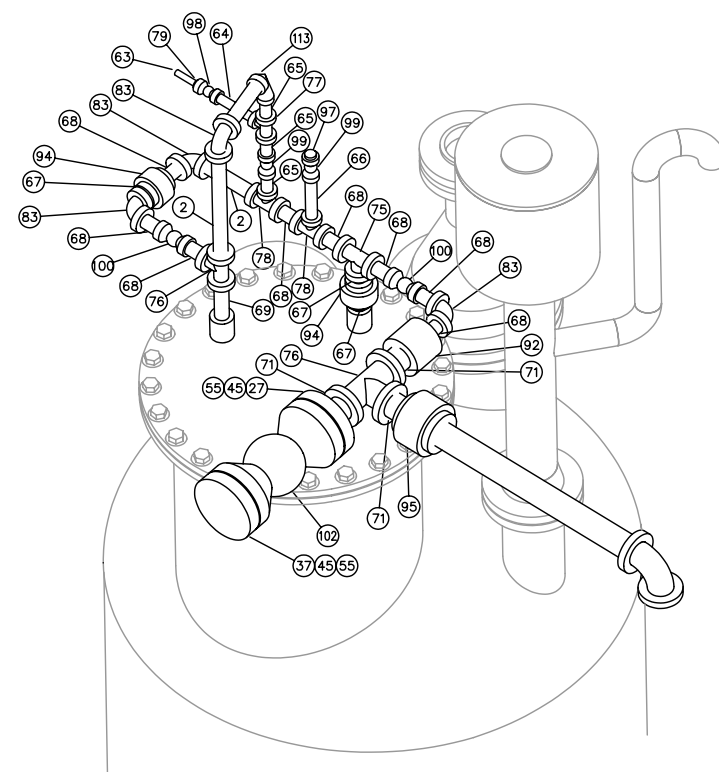
SECTION A
SCALE 1/2"=1'-0"



SECTION B
SCALE 1/2"=1'-0"



PLAN
SCALE 1/2"=1'-0"

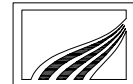


ISO
SCALE N.T.S.

PROVIDE (4) SS5 HELICAL ANCHORS BY AB CHANCE MODEL NUMBER C150-002, SINGLE HELIX (OR APPROVED EQUAL) AND STEEL CABLE & TURNBUCKLES

NO	REVISION	DATE	APPR	BY
1	AS-BUILT	2/7/08	EJK	ADJ
0	ISSUED FOR CONSTRUCTION	4/20/07		

ENBRIDGE PIPELINES (ND)
BLAISDELL STATION
SUMP INSTALLATION
DETAILS AND SECTIONS


Rooney Engineering, Inc.
12201 E. Arapahoe Rd.
Centennial, CO 80112
(303) 792-5911

PROJECT: 02431		
SCALE: AS NOTED	DATE: 03/28/07	DRAWN: ADJ
CHECK:	APPR:	DATE:
DWG. NO. 2431-P-008		