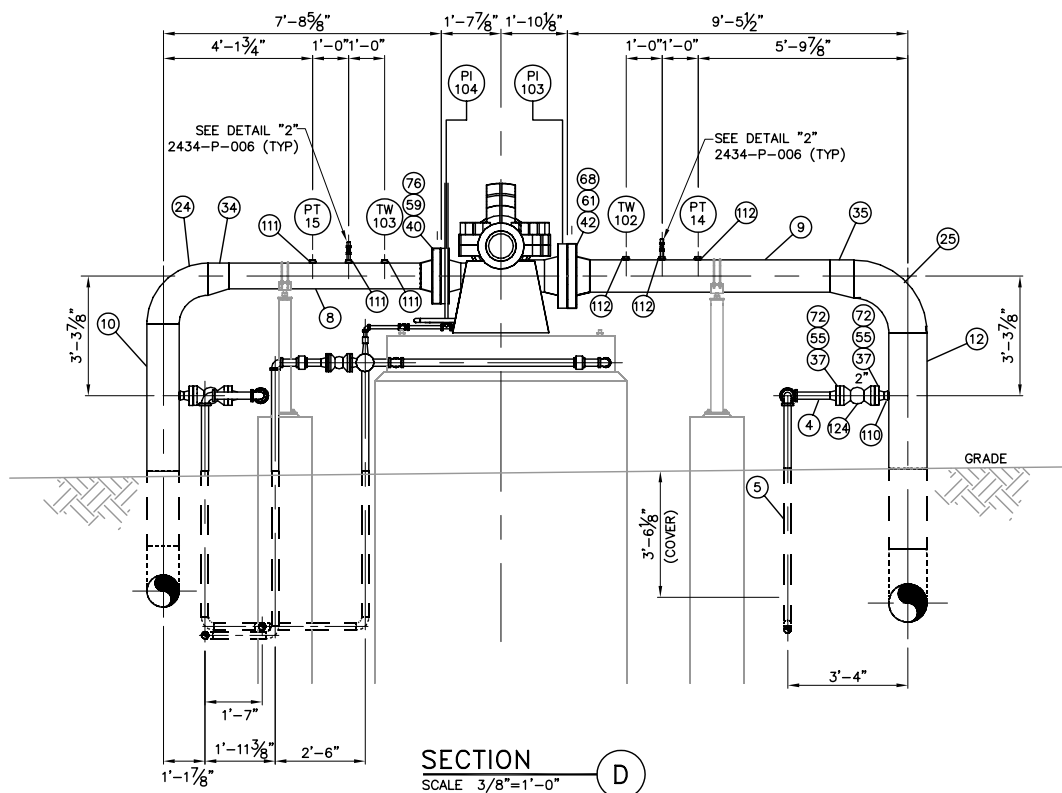
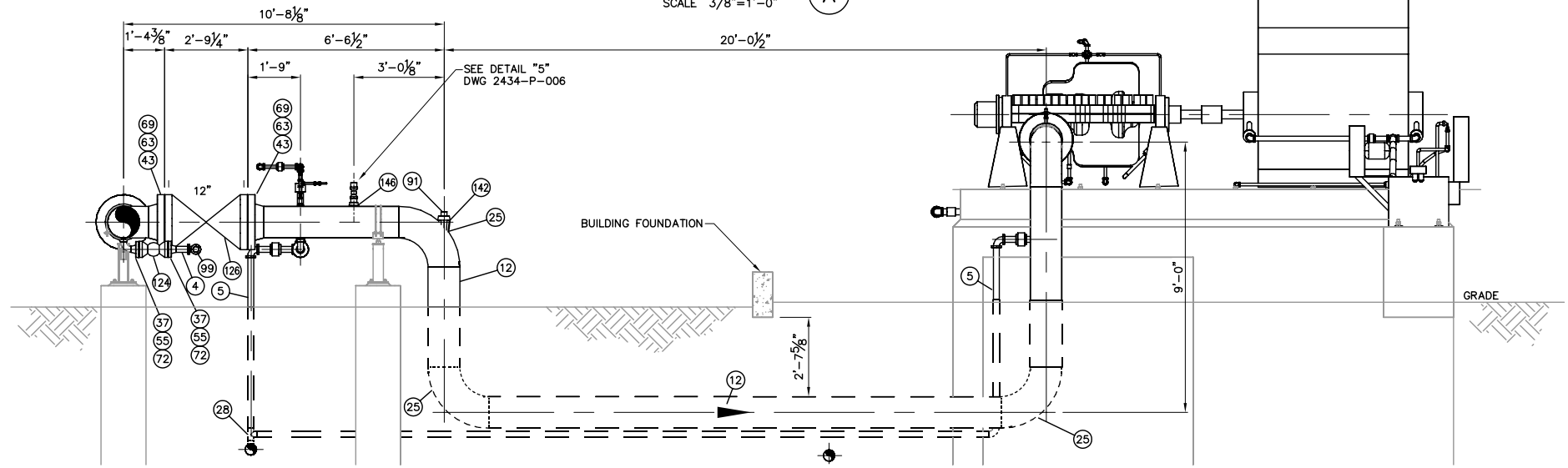


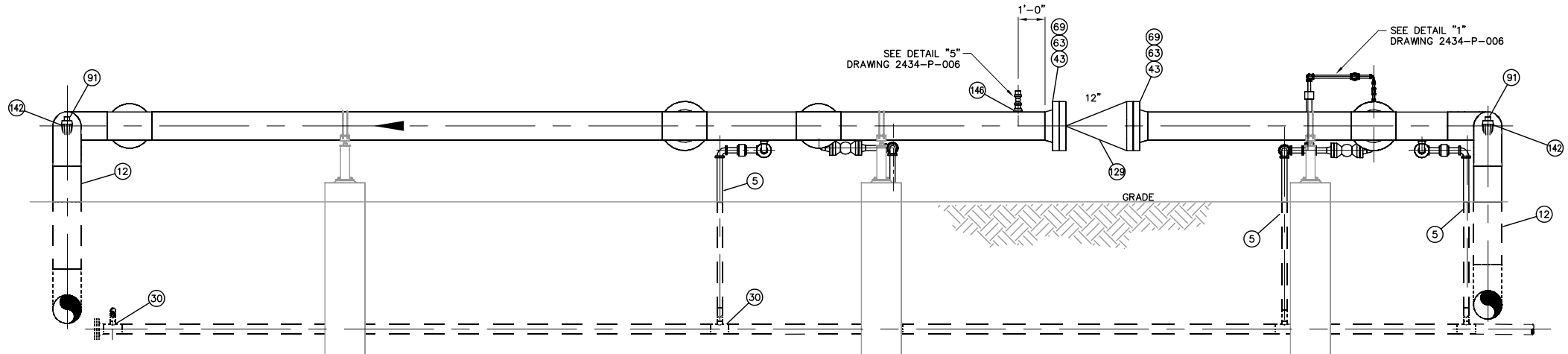
SECTION A
SCALE 3/8"=1'-0"



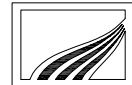
SECTION D
SCALE 3/8"=1'-0"



SECTION B
SCALE 3/8"=1'-0"



SECTION C
SCALE 3/8"=1'-0"


Rooney Engineering, Inc.
 12201 E. Arapahoe Rd.
 Centennial, CO 80112
 (303) 792-5911

NO	REVISION	DATE	APPR	BY
1	AS-BUILT	3/4/08		ADJ
0	ISSUED FOR CONSTRUCTION	8/21/07		ADJ

DENBRIDGE PIPELINES (ND)
DENBIGH STATION
 PIPING SECTIONS

PROJECT:
 SCALE: AS NOTED DATE: 1/3/07 DRAWN: ADJ
 CHECK: APPR: DATE:

DWG. NO. 2434-P-004