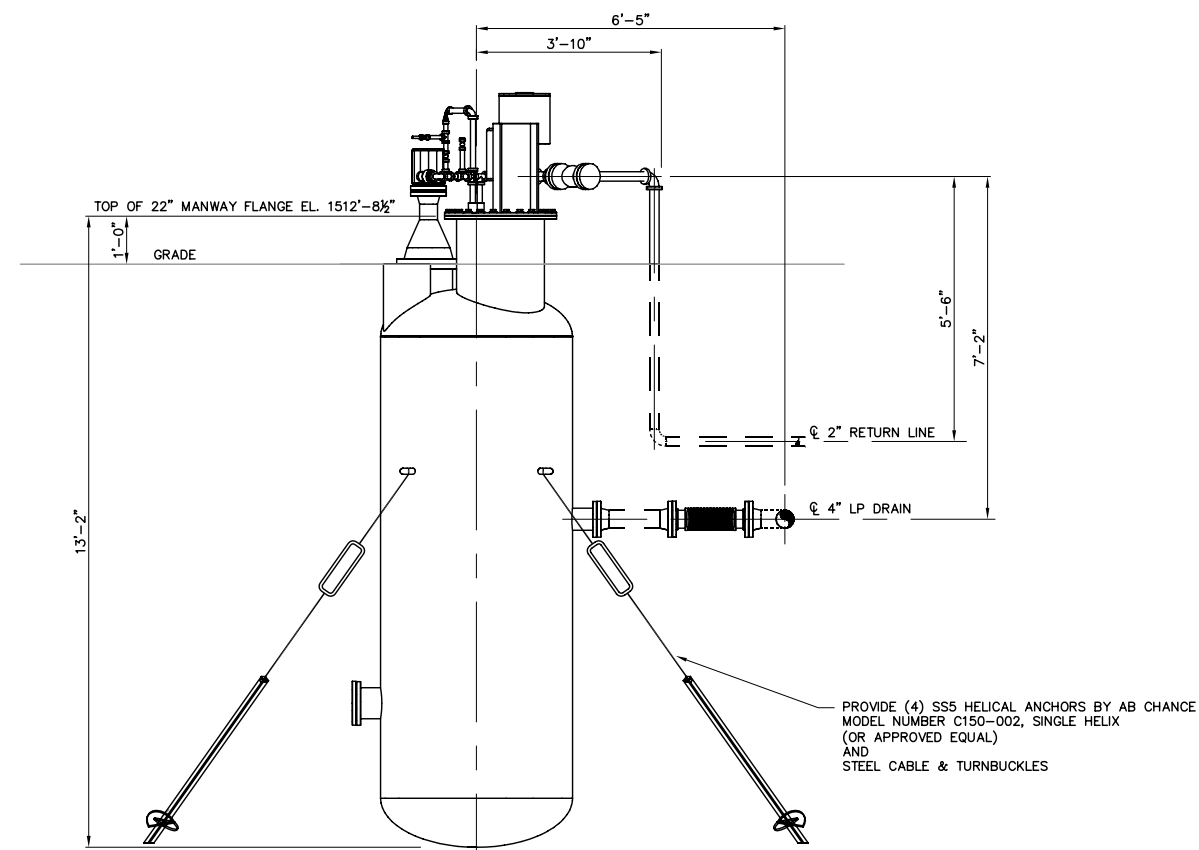
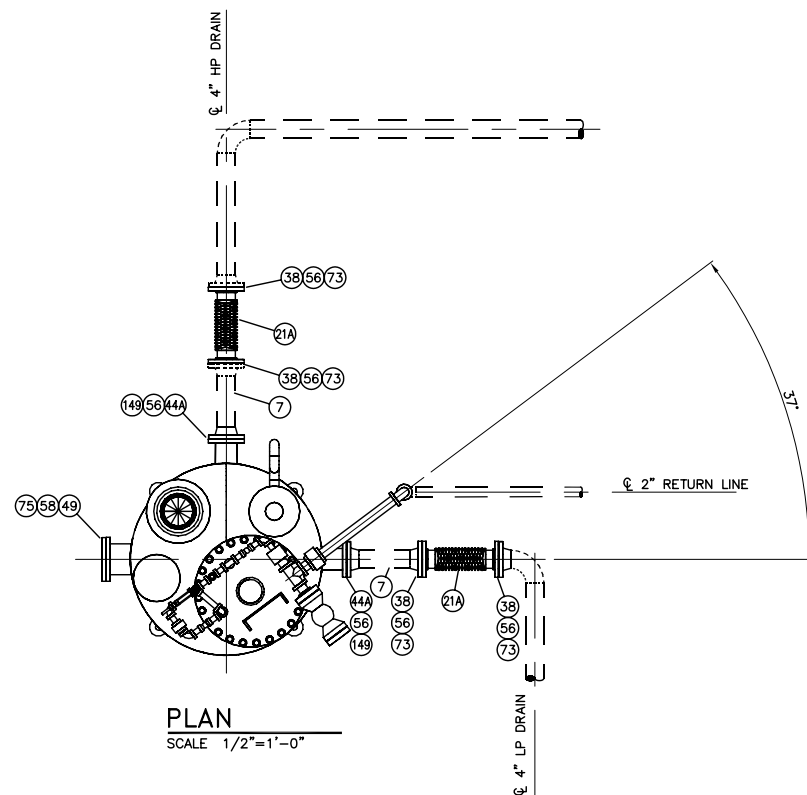


SECTION A
SCALE 1/2"=1'-0"

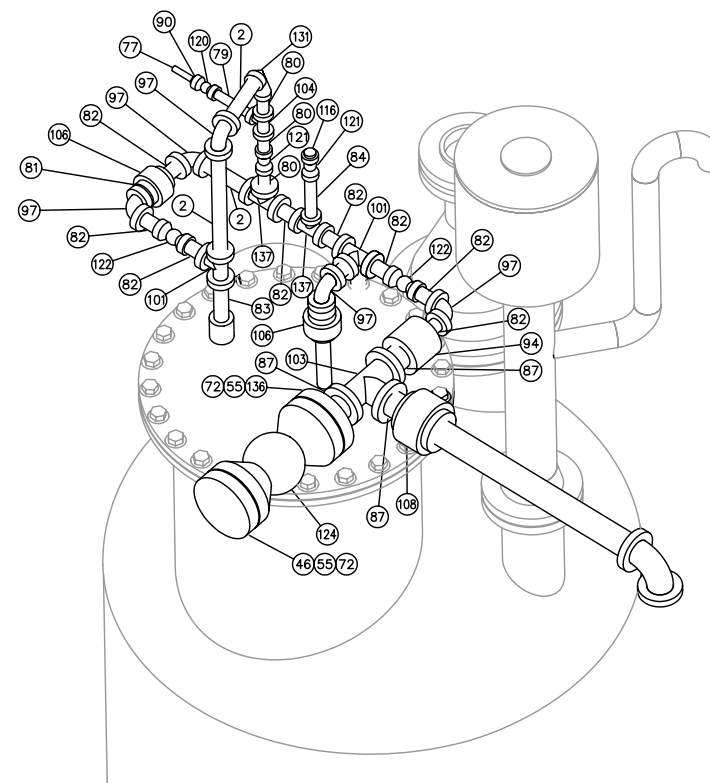


SECTION B
SCALE 1/2"=1'-0"

PROVIDE (4) SS5 HELICAL ANCHORS BY AB CHANCE MODEL NUMBER C150-002, SINGLE HELIX (OR APPROVED EQUAL) AND STEEL CABLE & TURNBUCKLES



PLAN
SCALE 1/2"=1'-0"



ISO
SCALE N.T.S.

NOTES:
1. MIN. TURNBUCKLE DIA AS FOLLOWS:
HOOK-3/4", JAW-1/2", EYE-1/2", WIRE ROPE-3/8" W/2 CLIPS.

NO	REVISION	DATE	APPR	BY
1	AS-BUILT	3/4/08		ADJ
0	ISSUED FOR CONSTRUCTION	8/21/07		ADJ

DENBRIDGE PIPELINES (ND)

DENBIGH STATION

SUMP INSTALLATION
DETAILS AND SECTIONS

PROJECT: 02434	SCALE: AS NOTED	DATE: 1/3/07	DRAWN: ADJ
CHECK:	APPR:	DATE:	

DWG. NO. 2434-P-007



Rooney Engineering, Inc.
12201 E. Arapahoe Rd.
Centennial, CO 80112
(303) 792-5911