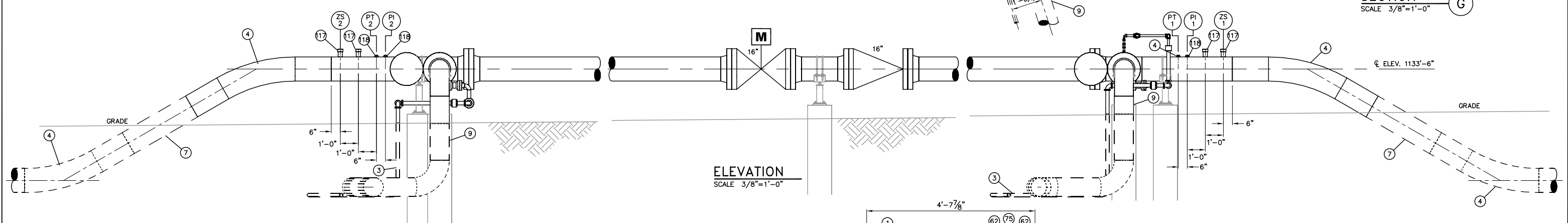
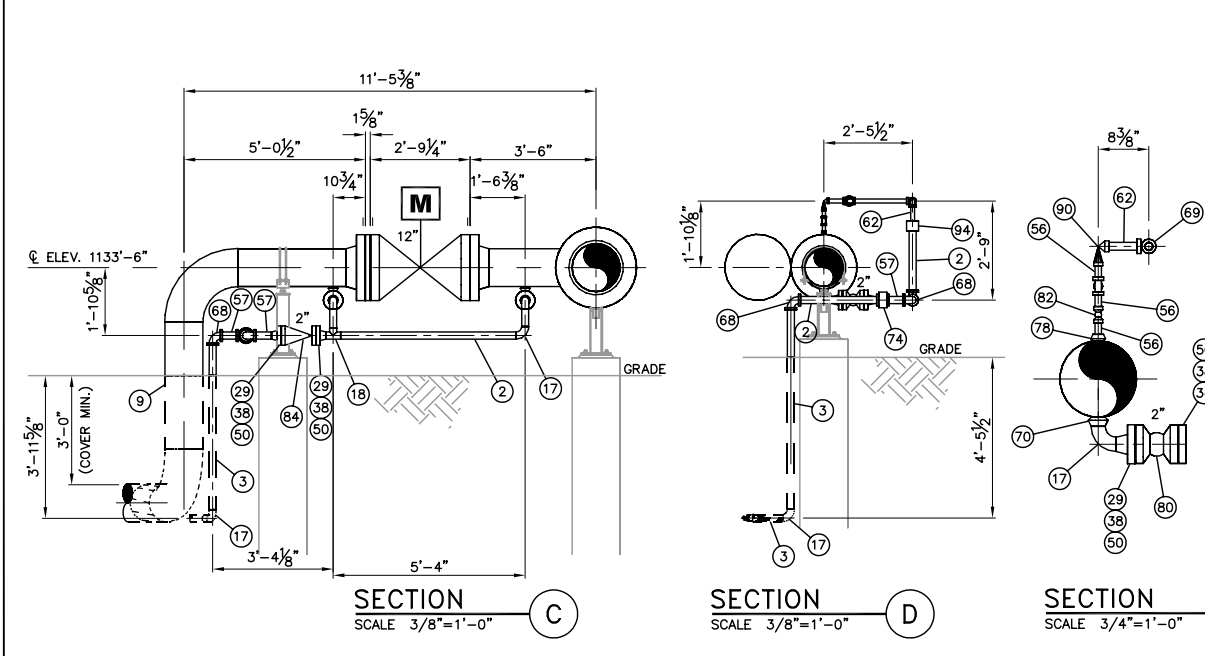


**PLAN**  
SCALE 3/8"=1'-0"



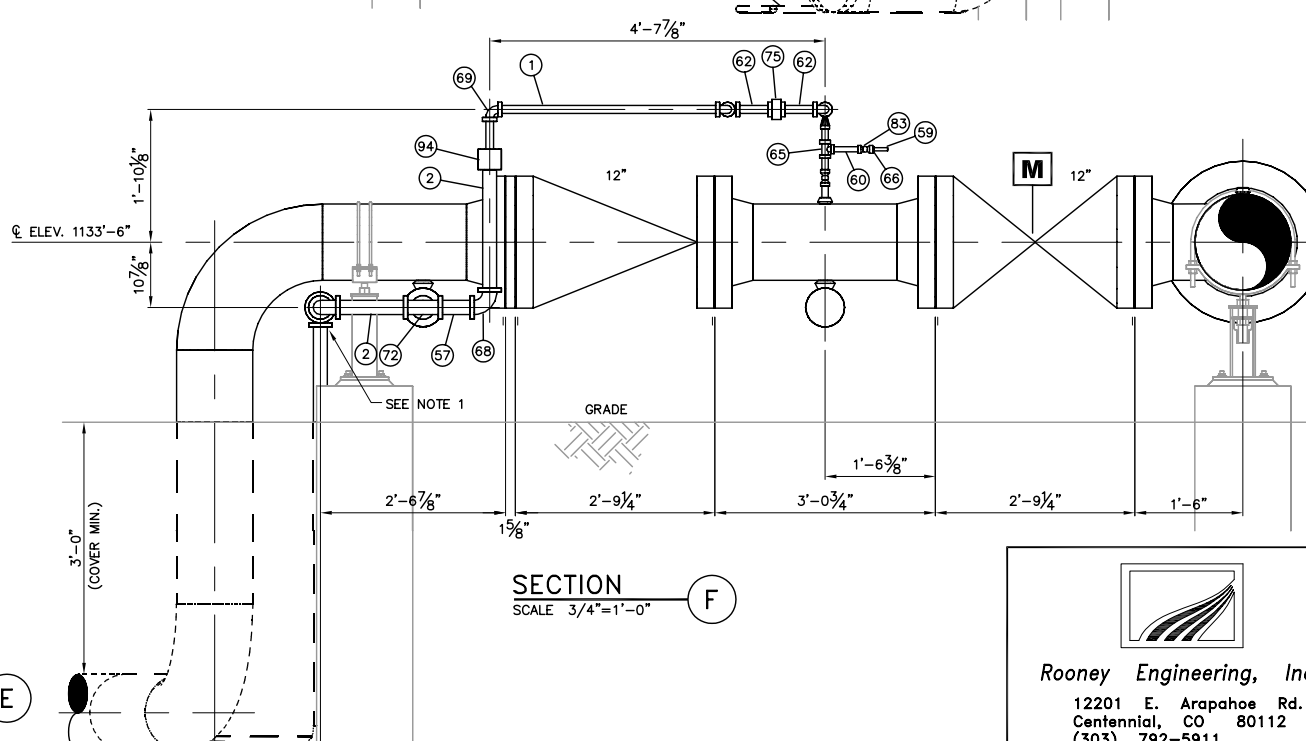
**ELEVATION**  
SCALE 3/8"=1'-0"



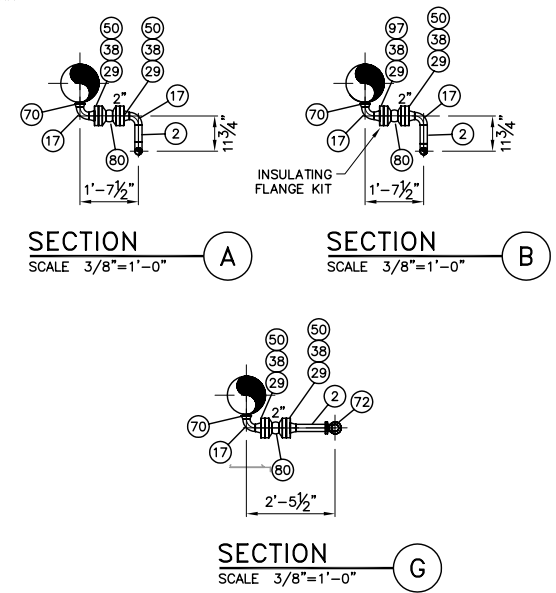
**SECTION C**  
SCALE 3/8"=1'-0"

**SECTION D**  
SCALE 3/8"=1'-0"

**SECTION E**  
SCALE 3/4"=1'-0"



**SECTION F**  
SCALE 3/4"=1'-0"



**SECTION A**  
SCALE 3/8"=1'-0"

**SECTION B**  
SCALE 3/8"=1'-0"

**SECTION G**  
SCALE 3/8"=1'-0"

**Rooney Engineering, Inc.**  
12201 E. Arapahoe Rd.  
Centennial, CO 80112  
(303) 792-5911

NO	REVISION	DATE	APPR	BY
1	AS-BUILT	12/18/07	EK	ADJ
0	ISSUED FOR CONSTRUCTION	3/28/07	EJK	ADJ

**ENBRIDGE PIPELINES (ND)**  
**LARIMORE STATION**  
PIPING PLAN, SECTIONS & DETAILS

PROJECT:		
SCALE: AS NOTED	DATE: 7/27/06	DRAWN: ADJ
CHECK:	APPR:	DATE:
<b>DWG. NO. 2406-P-006</b>		