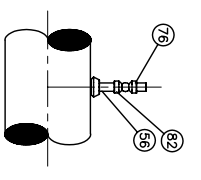
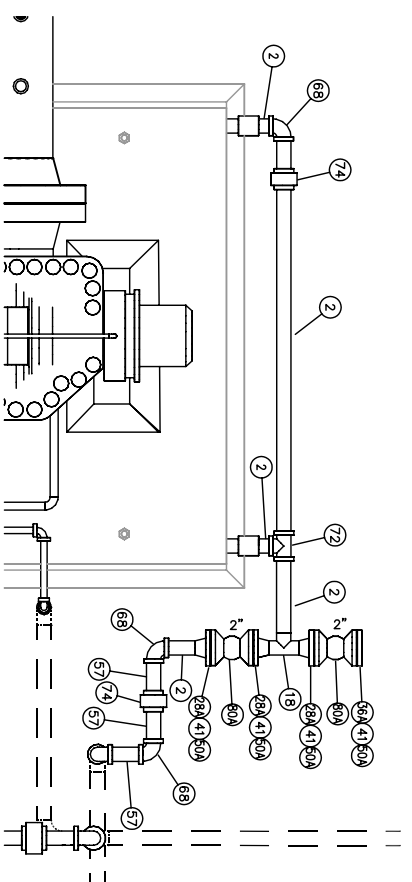


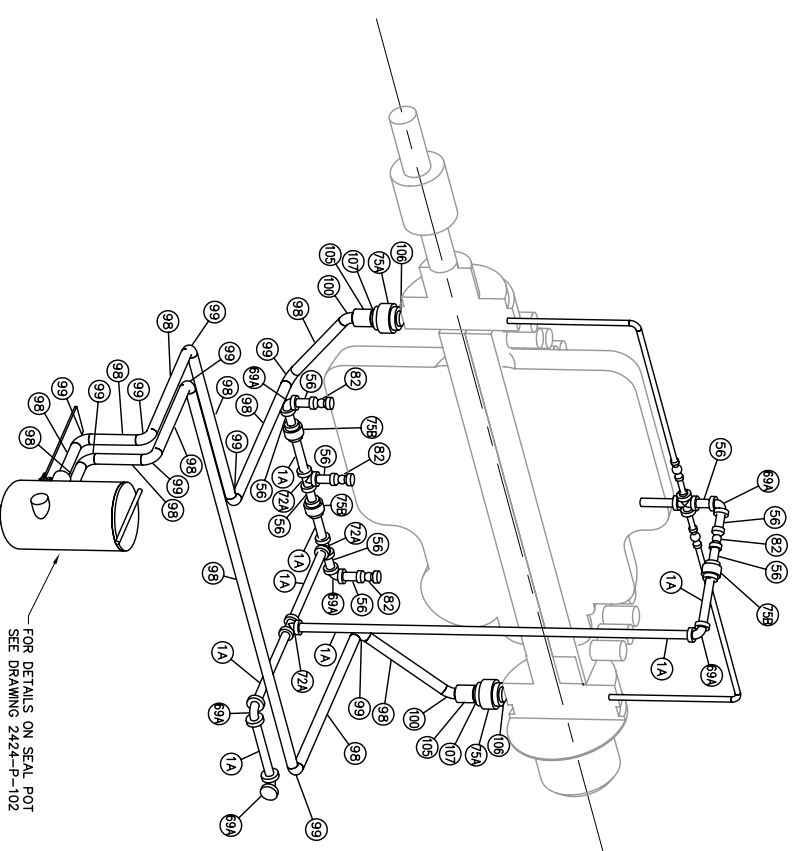
DETAIL
SCALE N.T.S. 1



DETAIL
SCALE 1"=1'-0" 2

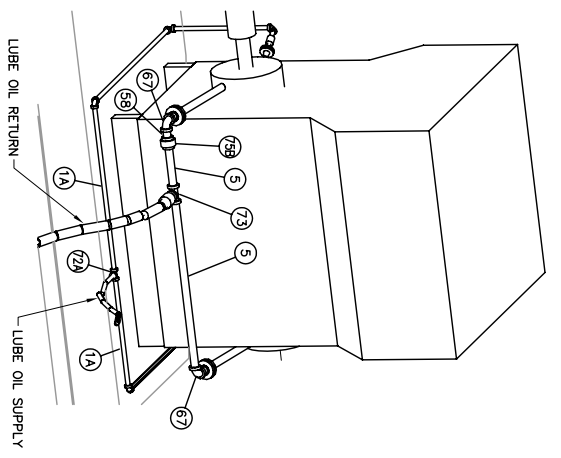


DETAIL
SCALE 1"=1'-0" 3

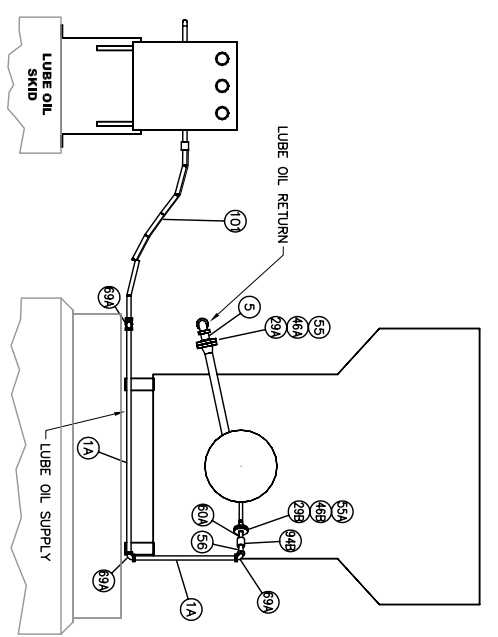


DETAIL
SCALE 1"=1'-0" 4

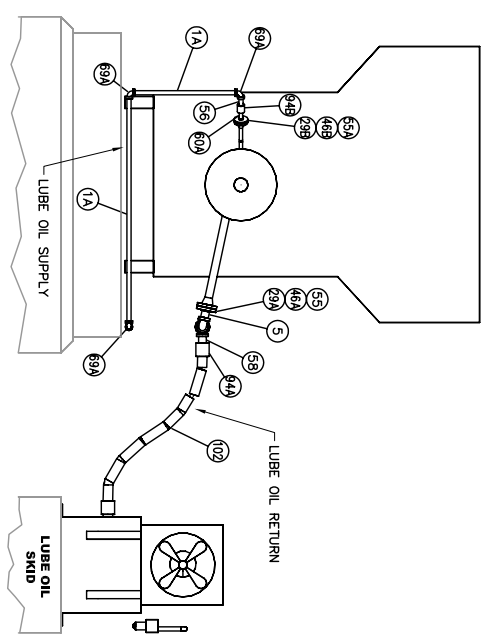
FOR DETAILS ON SEAL POT
SEE DRAWING 2424-P-102



SECTION
SCALE 1/2"=1'-0" B



SECTION
SCALE 1/2"=1'-0" C




SECTION
SCALE 1/2"=1'-0" D

NO	REVISION	DATE	APPR	BY
1	AS-BUILT	12/18/07	EK	ADJ
0	ISSUED FOR CONSTRUCTION	3/28/07	EJK	ADJ

ENBRIDGE PIPELINES (ND)

LARIMORE STATION

SECTIONS & DETAILS


Rooney Engineering, Inc.
 12201 E. Arapahoe Rd.
 Centennial, CO 80112
 (303) 792-5911

PROJECT:	SCALE: AS NOTED	DATE: 7/27/06	DRAWN: ADJ
CHECK:	APPR:	DATE:	
DWG. NO. 2406-P-007			