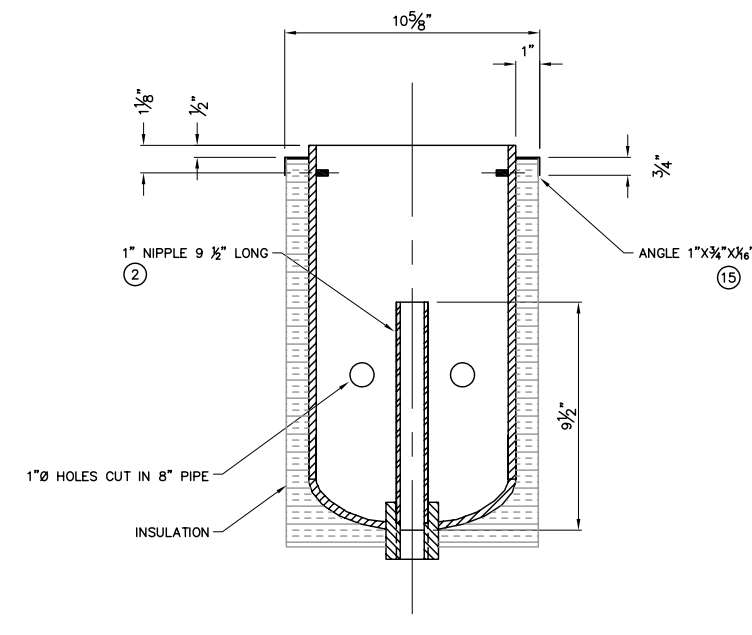
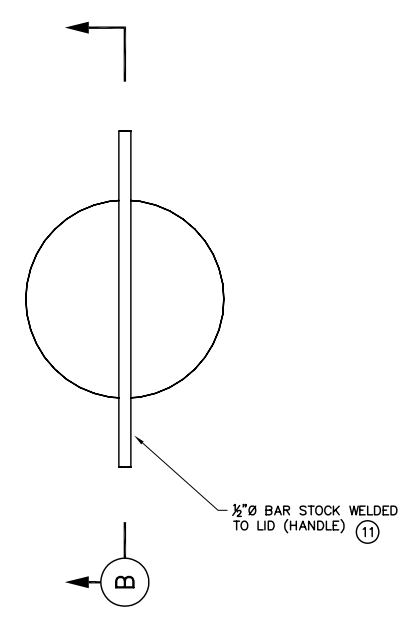


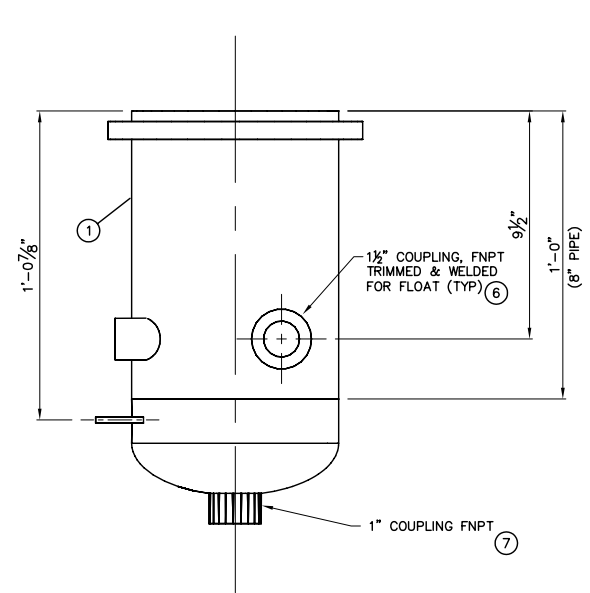
PLAN
SCALE 1:4



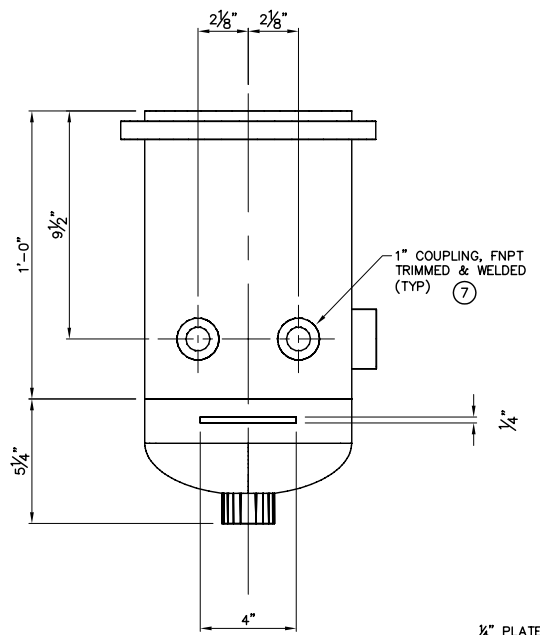
SECTION A
SCALE 1:4



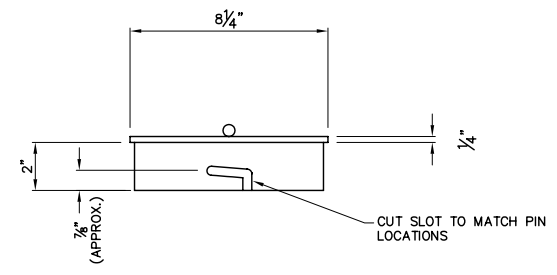
PLAN (LID)
SCALE 1:4



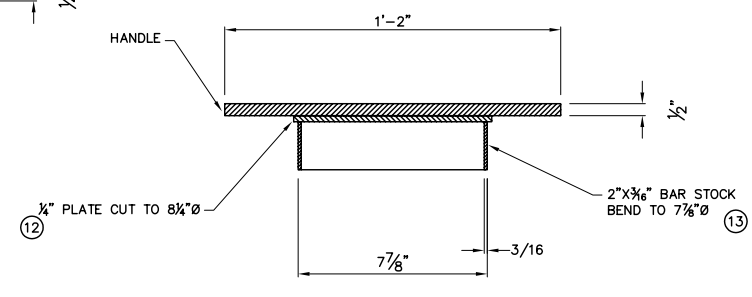
ELEVATION
SCALE 1:4
(LEFT SIDE)



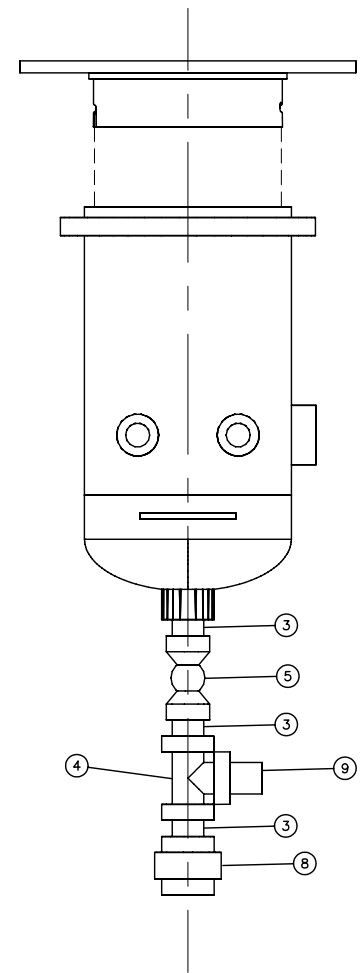
ELEVATION
SCALE 1:4
(RIGHT SIDE)



ELEVATION (LID)
SCALE 1:4



SECTION B
SCALE 1:4



BILL OF MATERIAL				
MARK	QTY	SIZE	DESCRIPTION	LENGTH
1	1	8"	PIPE, API 5L, STD, GRADE B, SMLS, DRL, PE	1'-0"
2	1	1"	NIPPLE, ASTM A-106, MNPT, SCH. 160, GRADE B POE-TOE	9 1/2"
3	3	1"	NIPPLE, ASTM A-106, MNPT, SCH. 160, GRADE B TBE	2"
4	1	1"	TEE, STR. ASTM A-106, FNPT, 3000#, GRADE B	
5	1	1"	SERIES 800 WOG 2000#, FNPT, REDUCED PORT, 316 SS BALL AND TRIM, SS BODY, PTFE SEATS, API 6D OR ASME B16.34, FIRE SAFE DESIGN	2 3/16"
6	1	1 1/2"	CPLG, THRD 3000# FNPT, ASTM A-105	
7	4	1"	CPLG, THRD 3000# FNPT, ASTM A-105	
8	1	1"	UNION, FNPT, 3000#, ASTM A-105, GRADE B	
9	1	1"	PLUG, ASTM A-106, MNPT, SCH. 160, WPB	
10	1	8"	CAP, S/STD, ASTM A-234 GR WPB	
11	1	1/2"	ROUND BAR STOCK	1'-2"
12	1	1/4"	PLATE 8 1/4" DIA.	
13	1	3/8" x 2"	PLATE BENT TO 7 7/8" DIA.	2'-3/4"
14	1	1/4" x 4" x 2"	PLATE	
15	1	1" x 3/4"	COLLER FOR INSULATION (FIT TO 8" PIPE)	
16	1	3/8"	ROUND BAR STOCK	1/2"

NO	REVISION	DATE	APPR	BY
1	AS-BUILT	01/25/08	EK	ADJ
0	ISSUED FOR CONSTRUCTION	6/25/07	EK	ADJ

ENBRIDGE PIPELINES (ND)

TYPICAL DETAIL

SEAL POT

PROJECT:	SCALE: AS NOTED	DATE: 10/25/06	DRAWN: ADJ
CHECK:	APPR:	DATE:	

DWG. NO. 2430-P-100

Rooney Engineering, Inc.
12201 E. Arapahoe Rd.
Centennial, CO 80112
(303) 792-5911