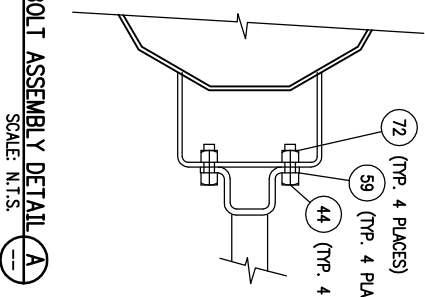
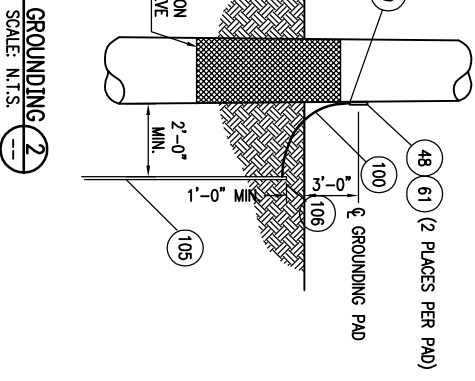
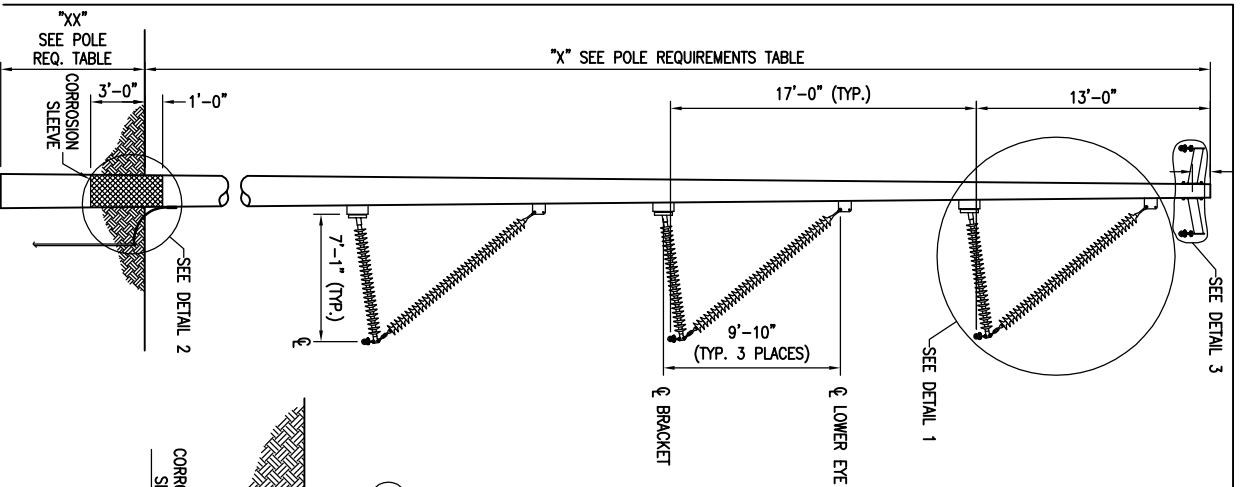


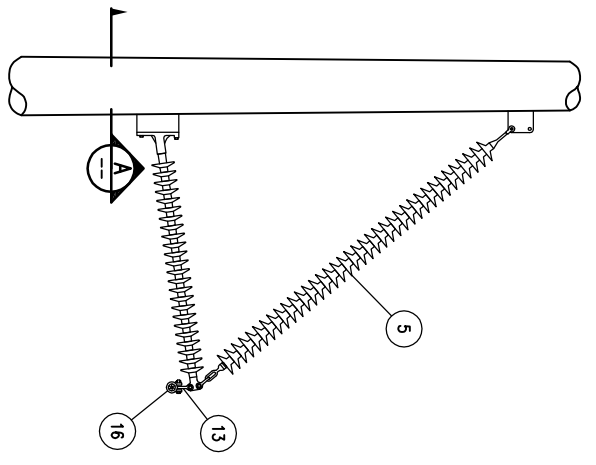
# HDR

PROJECT TITLE TATANKA WIND FARM  
230KV TRANSMISSION LINE

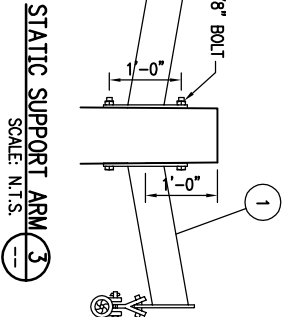
SHEET TITLE  
**STRUCTURE DRAWING**  
**STEEL TANGENT BRACE POST**



**BRACED POST INSULATOR ATTACHMENT**  
SCALE: N.T.S.



ITEM #	DESCRIPTION	MFG & CATALOG #	QUANTITY
1	STATIC SUPPORT ARM	HB# C4484-C-24	2
5	INSULATOR, 230KV BRACED POST ASSY, FLAT BASE, W/ CORONA RING	OB# 234229	3
13	Y-CLEVIS EYE, 20,000 LBS., ULTIMATE STRENGTH		5
16	ARMOR GRIP SUSPENSION, 795 12 IBIS ACSR		3
44	BOLT, SQUARE HEAD, GALVANIZED, 7/8"x2-1/2", W/ NUT	HB# B82-1/2-2	12
48	BOLT, STAINLESS STEEL, HEX HEAD, 1/2"x2-1/2"		4
59	WASHER, ROUND, GALVANIZED, FOR 7/8" BOLT		24
61	WASHER, STAINLESS STEEL, FLAT, 1/2"		4
64	BOLT, SQUARE HEAD, GALVANIZED, 7/8"xREQ'D LENGTH, W/ NUT	HB# B82-XX	2
68	LINE GUARD, FOR 795 12 IBIS ACSR		3
72	NUT, LOCK, 7/8"	HB# MF80	12
99	CONNECTOR, COMPRESSION, #4 CU TO NEMA		2
100	2-HOLE PAD, TIN-PLATED CU		2#
105	GROUND ROD, COPPER CLAD, 5/8"x8'		1
106	CADWELD, #4 CU TO 5/8" GROUND ROD, ONE SHOT	HB= HUGHES BROTHERS SBD= SUPPLIED BY DISTRICT OB= OHIO BRASS VAL= VALMONT	1



POLE REQUIREMENTS			
POLE HEIGHT "X"	SETTING DEPTH "XX"	STR. NUMBERS	MFG # & CAT #
105'-H6	16.5'	39,44	VAL# B105 645-1
110'-H3	17'	41,42	VAL# B110 446-1
110'-H6	17'	46	VAL# B110 677-1
110'-H9	17'	40	VAL# B110 975-1

**GROUNDING**  
SCALE: N.T.S.

**BOLT ASSEMBLY DETAIL**  
SCALE: N.T.S.

**STATIC SUPPORT ARM**  
SCALE: N.T.S.

PROJECT NUMBER MAM-47269	REFERENCE SHEET 1 OF 1
PROJECT MANAGER S. HEREIM	REFERENCE DOCUMENT SBP.dwg
DATE 3-8-07	EXHIBIT NUMBER SBP