

Exam Date:08/25/2008

Red River Commodities Inc.

Page: 1

Examiner: 1

PO Box 3022

Fargo , ND

County:

Phone: 701-282-2600

CCC Number:

Location/Container Numbers/Comments	Section	Capacity
PART A - ADDITIONAL SPACE TO BE INCLUDED UNDER LICENSE		
B44	H	40,673
B45	H	41,620
091	C	9,959
092	C	9,959
093	C	9,959
094	C	9,959
095	C	9,959
096	C	9,959
097	C	9,959
098	C	9,959
099	C	9,959
100	C	9,959
101	C	9,959
102	C	9,959
103	C	9,959
104	C	9,959
105	C	9,959
106	C	9,959
079	C	9,959
080	C	9,959
081	C	9,959
082	C	9,959
083	C	9,959
084	C	9,959
085	C	9,959
086	C	9,959
087	C	9,959
088	C	9,959
089	C	9,959
090	C	9,959
004	A	79,582
NW C	B	39,791
T-9	B	29,814
T-10	B	29,814
001	D	82,243
002	D	82,243
003	D	82,243
004	D	82,243
005	D	9,959
006	D	9,959
007	D	9,959
008	D	9,959
009	D	9,959

Location/Container Numbers/Comments	Section	Capacity
010	D	9,959
011	D	9,959
		Total: 938,831

PART B - SPACE TO BE DELETED UNDER LICENSE

B31	H	11,768
B32	H	11,768
B33	H	13,997
B36	H	10,547
B37	H	9,390
B38	H	7,763
B39	H	7,763
B40	H	29,593
B41	H	29,593
B42	H	3,969
B43	H	3,969
		Total: 140,120

PART C - ALL SPACE TO BE INCLUDED UNDER LICENSE

A	633,000	
B	252,000	
C	279,000	
D	399,000	
H	83,000	
		Total: 1,646,000

PART D - TOTAL CAPACITY BY FUNCTIONAL UNIT

Brinsmade 991	H	83,000
Fargo 288	A B C	1,164,000
Jamestown 1200	D	399,000
		Total: 1,646,000

Client ID: 283

NDPSC Bin Capacity Chart

09/19/2008 08:13:34 AM

Exam Date: 08/25/2008
Examiner: 1

Red River Commodities Inc.
PO Box 3022
Fargo, ND
County:

Page: 1

Status	Section	Bin Number	Bin Type	Base Point	Diameter or Bu/Ft (Irreg).	Length	Width	Side wall	Add for Hopper	Ded. for Obst.	Effective Depth	Add for Peak	Depth for Capac.	Bushels per Foot	Base Pack%	Bushel Capacity with Pack
--------	---------	------------	----------	------------	----------------------------	--------	-------	-----------	----------------	----------------	-----------------	--------------	------------------	------------------	------------	---------------------------

Facility: Brinsmade

Section: H

Added	H	B44	Peaked	ave at top of sidewall	42.000	0.000	0.000	30.70	0.00	0.00	30.700	2.500	33.2	1113.7	10.0	40,673
Added	H	B45	Peaked	ave at top of sidewall	41.800	0.000	0.000	31.80	0.00	0.00	31.800	2.500	34.3	1103.1	10.0	41,620

Bin count: 2

Facility: Brinsmade Section: H Total: **82,293**

To Even: **83,000**

Client ID: 283

NDPSC Bin Capacity Chart

09/19/2008 08:13:34 AM

Exam Date:08/25/2008

Red River Commodities Inc.

PO Box 3022

Examiner: 1

Fargo, ND

County:

Page: 2

Status	Section	Bin Number	Bin Type	Base Point	Diameter or Bu/Ft (Irreg).	Length	Width	Side wall	Add for Hopper	Det. for Obst.	Effective Depth	Add for Peak	Depth for Capac.	Bushels per Foot	Base Pack%	Bushel Capacity with Pack
--------	---------	------------	----------	------------	-------------------------------	--------	-------	--------------	----------------------	----------------------	--------------------	--------------------	------------------------	------------------------	---------------	------------------------------

Facility: Fargo

Section: A

Added	A	004	Flat	Cool strg. warehouse, #4	1.000	200.0	150.0	2.000	0.00	0.00	2.000	1.000	3.0	24115.8	10.0	79,582
	A	Cool-W	Flat	Cool strg. warehouse, #1	1.000	120.0	100.0	2.100	0.00	0.00	2.100	0.900	3.0	9646.3	10.0	31,833
	A	N	Peaked	top sidewall	16.800	0.000	0.000	21.40	6.30	0.00	27.700	1.000	28.7	178.2	5.80	5,411
	A	S	Peaked	top sidewall	16.800	0.000	0.000	21.40	6.30	0.00	27.700	1.000	28.7	178.2	5.80	5,411
	A	T-10	Peaked	top sidewall	21.000	0.000	0.000	48.60	9.20	0.00	57.800	1.300	59.1	278.4	6.80	17,572
	A	T-11	Peaked	top sidewall	21.000	0.000	0.000	48.60	9.20	0.00	57.800	1.300	59.1	278.4	6.80	17,572
	A	T-20	Peaked	top sidewall	36.000	0.000	0.000	48.40	0.00	0.00	48.400	2.200	50.6	818.2	10.0	45,541
	A	T-21	Peaked	top sidewall	36.000	0.000	0.000	48.40	0.00	0.00	48.400	2.200	50.6	818.2	10.0	45,541
	A	T-30	Peaked	top sidewall	48.000	0.000	0.000	48.40	0.00	0.00	48.400	3.400	51.8	1454.6	10.0	82,883
	A	T-31	Peaked	top sidewall	48.000	0.000	0.000	48.40	0.00	0.00	48.400	3.400	51.8	1454.6	10.0	82,883
	A	T-32	Peaked	top sidewall	48.000	0.000	0.000	48.40	0.00	0.00	48.400	3.400	51.8	1454.6	10.0	82,883
	A	T-40	Peaked	top sidewall	48.000	0.000	0.000	48.40	0.00	0.00	48.400	3.400	51.8	1454.6	10.0	82,883
	A	T-41	Peaked	top sidewall	16.800	0.000	0.000	21.40	6.30	0.00	27.700	1.000	28.7	178.2	5.80	5,411
	A	T-42	Peaked	top sidewall	16.800	0.000	0.000	21.40	6.30	0.00	27.700	1.000	28.7	178.2	5.80	5,411
	A	T-50	Peaked	top sidewall	18.000	0.000	0.000	35.20	8.00	0.00	43.200	1.100	44.3	204.6	6.00	9,608
	A	Warm-W	Flat	Cool strg. warehouse, # 2	1.000	120.0	100.0	2.100	0.00	0.00	2.100	0.900	3.0	9646.3	10.0	31,833

Bin count: 16

Facility: Fargo Section: A Total: 632,258

To Even: 633,000

Client ID: 283

NDPSC Bin Capacity Chart

09/19/2008 08:13:35 AM

Exam Date:08/25/2008
Examiner: 1

Red River Commodities Inc.
PO Box 3022
Fargo, ND
County:

Page: 3

Status	Section	Bin Number	Bin Type	Base Point	Diameter or Bu/Ft (Ireq).	Length	Width	Side wall	Add for Hopper	Ded. for Obst.	Effective Depth	Add for Peak	Depth for Capac.	Bushels per Foot	Base Pack%	Bushel Capacity with Pack

Facility: Fargo

Section: B

B	Mt-1		Peaked	top sidewall	Mixing bins	12.600	0.000	0.000	17.00	5.10	0.00	22.100	0.800	22.9	100.2	5.00	2,410
B	Mt-2		Peaked	top sidewall	26'8 7/8	12.600	0.000	0.000	17.00	5.10	0.00	22.100	0.800	22.9	100.2	5.00	2,410
B	Mt-3		Peaked	top sidewall	26'8 7/8	12.600	0.000	0.000	17.00	5.10	0.00	22.100	0.800	22.9	100.2	5.00	2,410
B	Mt-4		Peaked	top sidewall	26'8 7/8	12.600	0.000	0.000	17.00	5.10	0.00	22.100	0.800	22.9	100.2	5.00	2,410
B	Mt-5		Peaked	top sidewall	26'8 7/8	12.600	0.000	0.000	17.00	5.10	0.00	22.100	0.800	22.9	100.2	5.00	2,410
B	Mt-6		Peaked	top sidewall	26'8 7/8	12.600	0.000	0.000	17.00	5.10	0.00	22.100	0.800	22.9	100.2	5.00	2,410
B	Mt-7		Peaked	top sidewall	24' 6 7/8	9.000	0.000	0.000	15.00	6.10	0.00	21.100	0.500	21.6	51.1	4.80	1,157
B	Mt-8		Peaked	top sidewall	24' 6 7/8	9.000	0.000	0.000	15.00	6.10	0.00	21.100	0.500	21.6	51.1	4.80	1,157
B	Mt-9		Peaked	top sidewall	14'6 7/8	9.000	0.000	0.000	5.000	6.10	0.00	11.100	0.500	11.6	51.1	4.80	621
Added	B	NW C	Flat	Flat bagged warehouse		1.000	150.0	150.0	1.000	0.00	0.00	1.000	1.000	2.0	18086.8	10.0	39,791
B	NW- B		Flat	Flat bagged warehouse		1.500	150.0	200.0	1.500	0.00	0.00	1.500	1.400	2.9	24115.8	10.0	76,930
B	T-1		Peaked	top sidewall	to lid 4'6'3/4	18.600	0.000	0.000	22.00	8.10	0.00	30.100	1.100	31.2	218.4	6.20	7,236
Added	B	T-10	Peaked	top sidewall		31.000	0.000	0.000	43.10	0.00	0.00	43.100	1.900	45.0	606.7	9.20	29,814
B	T-2		Peaked	top sidewall	to lid 4'6'3/4	18.600	0.000	0.000	22.00	8.10	0.00	30.100	1.100	31.2	218.4	6.20	7,236
B	T-3		Peaked	top sidewall	to lid 4'6'3/4	18.600	0.000	0.000	22.00	8.10	0.00	30.100	1.100	31.2	218.4	6.20	7,236
B	T-4		Peaked	top sidewall	to lid 4'6'3/4	18.600	0.000	0.000	22.00	8.10	0.00	30.100	1.100	31.2	218.4	6.20	7,236
B	T-5		Peaked	top sidewall	to lid 4'6'3/4	18.600	0.000	0.000	22.00	8.10	0.00	30.100	1.100	31.2	218.4	6.20	7,236
B	T-6		Peaked	top sidewall	to lid 4'6'3/4	18.600	0.000	0.000	22.00	8.10	0.00	30.100	1.100	31.2	218.4	6.20	7,236
B	T-7		Peaked	top sidewall	to lid 4'6'3/4	18.600	0.000	0.000	22.00	8.10	0.00	30.100	1.100	31.2	218.4	6.20	7,236
B	T-8		Peaked	top sidewall	to lid 4'6'3/4	18.600	0.000	0.000	22.00	8.10	0.00	30.100	1.100	31.2	218.4	6.20	7,236
Added	B	T-9	Peaked	top sidewall		31.000	0.000	0.000	43.10	0.00	0.00	43.100	1.900	45.0	606.7	9.20	29,814

Exam Date:08/25/2008
 Examiner: 1

Red River Commodities Inc.
 PO Box 3022
 Fargo, ND
 County:

Status	Section	Bin Number	Bin Type	Base Point	Diameter or Bu/Ft (treq).	Length	Width	Side wall	Add for Hopper	Ded. for Obst.	Effective Depth	Add for Peak	Depth for Capac.	Bushels per Foot	Base Pack%	Bushel Capacity with Pack
--------	---------	------------	----------	------------	------------------------------	--------	-------	--------------	----------------------	----------------------	--------------------	--------------------	------------------------	------------------------	---------------	------------------------------

Bin count: 21

Facility: Fargo Section: B Total: 251,632

To Even: 252,000

Section: C

Added	C	079	Peaked	Eave of Bin / D & P Bin site	24.000	0.000	0.000	24.00	0.00	0.00	24.000	1.400	25.4	363.7	7.80	9,959
Added	C	080	Peaked	Eave of Bin / D & P Bin site	24.000	0.000	0.000	24.00	0.00	0.00	24.000	1.400	25.4	363.7	7.80	9,959
Added	C	081	Peaked	Eave of Bin / D & P Bin site	24.000	0.000	0.000	24.00	0.00	0.00	24.000	1.400	25.4	363.7	7.80	9,959
Added	C	082	Peaked	Eave of Bin / D & P Bin site	24.000	0.000	0.000	24.00	0.00	0.00	24.000	1.400	25.4	363.7	7.80	9,959
Added	C	083	Peaked	Eave of Bin / D & P Bin site	24.000	0.000	0.000	24.00	0.00	0.00	24.000	1.400	25.4	363.7	7.80	9,959
Added	C	084	Peaked	Eave of Bin / D & P Bin site	24.000	0.000	0.000	24.00	0.00	0.00	24.000	1.400	25.4	363.7	7.80	9,959
Added	C	085	Peaked	Eave of Bin / D & P Bin site	24.000	0.000	0.000	24.00	0.00	0.00	24.000	1.400	25.4	363.7	7.80	9,959
Added	C	086	Peaked	Eave of Bin / D & P Bin site	24.000	0.000	0.000	24.00	0.00	0.00	24.000	1.400	25.4	363.7	7.80	9,959
Added	C	087	Peaked	Eave of Bin / D & P Bin site	24.000	0.000	0.000	24.00	0.00	0.00	24.000	1.400	25.4	363.7	7.80	9,959
Added	C	088	Peaked	Eave of Bin / D & P Bin site	24.000	0.000	0.000	24.00	0.00	0.00	24.000	1.400	25.4	363.7	7.80	9,959
Added	C	089	Peaked	Eave of Bin / D & P Bin site	24.000	0.000	0.000	24.00	0.00	0.00	24.000	1.400	25.4	363.7	7.80	9,959
Added	C	090	Peaked	Eave of Bin / D & P Bin site	24.000	0.000	0.000	24.00	0.00	0.00	24.000	1.400	25.4	363.7	7.80	9,959
Added	C	091	Peaked	Eave of Bin / D & P Bin site	24.000	0.000	0.000	24.00	0.00	0.00	24.000	1.400	25.4	363.7	7.80	9,959
Added	C	092	Peaked	Eave of Bin / D & P Bin site	24.000	0.000	0.000	24.00	0.00	0.00	24.000	1.400	25.4	363.7	7.80	9,959
Added	C	093	Peaked	Eave of Bin / D & P Bin site	24.000	0.000	0.000	24.00	0.00	0.00	24.000	1.400	25.4	363.7	7.80	9,959
Added	C	094	Peaked	Eave of Bin / D & P Bin site	24.000	0.000	0.000	24.00	0.00	0.00	24.000	1.400	25.4	363.7	7.80	9,959
Added	C	095	Peaked	Eave of Bin / D & P Bin site	24.000	0.000	0.000	24.00	0.00	0.00	24.000	1.400	25.4	363.7	7.80	9,959
Added	C	096	Peaked	Eave of Bin / D & P Bin site	24.000	0.000	0.000	24.00	0.00	0.00	24.000	1.400	25.4	363.7	7.80	9,959
Added	C	097	Peaked	Eave of Bin / D & P Bin site	24.000	0.000	0.000	24.00	0.00	0.00	24.000	1.400	25.4	363.7	7.80	9,959
Added	C	098	Peaked	Eave of Bin / D & P Bin site	24.000	0.000	0.000	24.00	0.00	0.00	24.000	1.400	25.4	363.7	7.80	9,959
Added	C	099	Peaked	Eave of Bin / D & P Bin site	24.000	0.000	0.000	24.00	0.00	0.00	24.000	1.400	25.4	363.7	7.80	9,959

Exam Date: 08/25/2008 Red River Commodities Inc. Page: 5
 Examiner: 1 PO Box 3022
 Fargo, ND
County:

Status	Section	Bin Number	Bin Type	Base Point	Diameter or Bu/Ft (Irreg).	Length	Width	Side wall	Add for Hopper	Ded. for Obst.	Effective Depth	Add for Peak	Depth for Capac.	Bushels per Foot	Base Pack%	Bushel Capacity with Pack
--------	---------	------------	----------	------------	----------------------------	--------	-------	-----------	----------------	----------------	-----------------	--------------	------------------	------------------	------------	---------------------------

Facility: Fargo

Section: C

Added	C	100	Peaked	Eave of Bin / D & P Bin site	24.000	0.000	0.000	24.00	0.00	0.00	24.000	1.400	25.4	363.7	7.80	9,959
Added	C	101	Peaked	Eave of Bin / D & P Bin site	24.000	0.000	0.000	24.00	0.00	0.00	24.000	1.400	25.4	363.7	7.80	9,959
Added	C	102	Peaked	Eave of Bin / D & P Bin site	24.000	0.000	0.000	24.00	0.00	0.00	24.000	1.400	25.4	363.7	7.80	9,959
Added	C	103	Peaked	Eave of Bin / D & P Bin site	24.000	0.000	0.000	24.00	0.00	0.00	24.000	1.400	25.4	363.7	7.80	9,959
Added	C	104	Peaked	Eave of Bin / D & P Bin site	24.000	0.000	0.000	24.00	0.00	0.00	24.000	1.400	25.4	363.7	7.80	9,959
Added	C	105	Peaked	Eave of Bin / D & P Bin site	24.000	0.000	0.000	24.00	0.00	0.00	24.000	1.400	25.4	363.7	7.80	9,959
Added	C	106	Peaked	Eave of Bin / D & P Bin site	24.000	0.000	0.000	24.00	0.00	0.00	24.000	1.400	25.4	363.7	7.80	9,959

Bin count: 28 Facility: Fargo Section: C Total: 278,852
To Even: 279,000

Exam Date: 08/25/2008 Red River Commodities Inc. Page: 6
 Examiner: 1 PO Box 3022
Fargo, ND
County:

Status	Section	Bin Number	Bin Type	Base Point	Diameter or Bu/Ft (Irreg.)	Length	Width	Side wall	Add for Hopper	Ded. for Obst.	Effective Depth	Add for Peak	Depth for Capac.	Bushels per Foot	Base Pack%	Bushel Capacity with Pack
--------	---------	------------	----------	------------	----------------------------	--------	-------	-----------	----------------	----------------	-----------------	--------------	------------------	------------------	------------	---------------------------

Facility: Jamestown

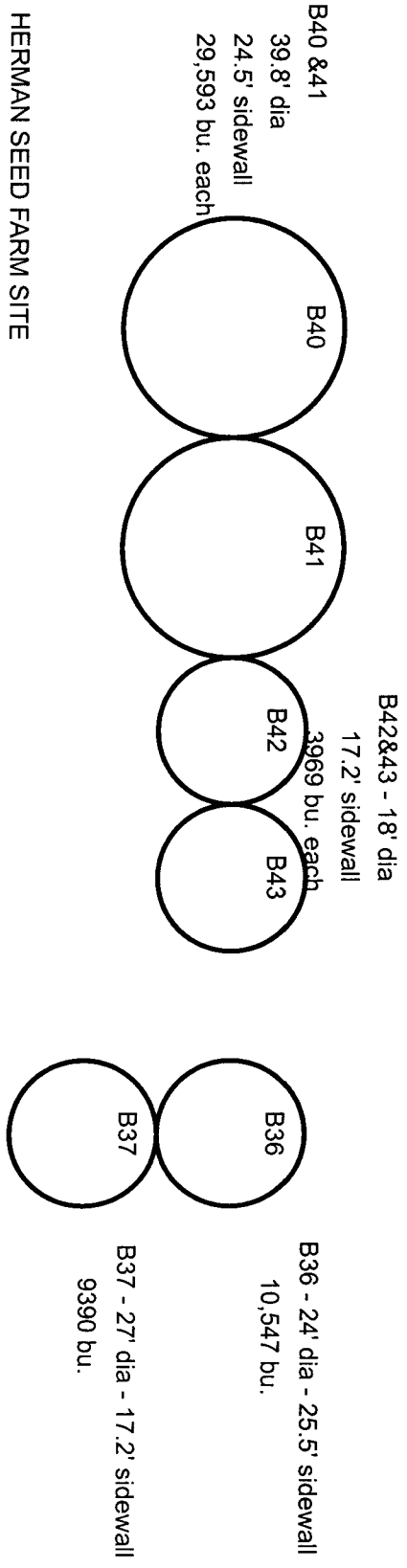
Section: D

Added	D	001	Peaked	eave at top of sidewall	48.000	0.000	0.000	48.00	0.00	0.00	48.000	3.400	51.4	1454.6	10.0	82,243
Added	D	002	Peaked	eave at top of sidewall	48.000	0.000	0.000	48.00	0.00	0.00	48.000	3.400	51.4	1454.6	10.0	82,243
Added	D	003	Peaked	eave at top of sidewall	48.000	0.000	0.000	48.00	0.00	0.00	48.000	3.400	51.4	1454.6	10.0	82,243
Added	D	004	Peaked	eave at top of sidewall	48.000	0.000	0.000	48.00	0.00	0.00	48.000	3.400	51.4	1454.6	10.0	82,243
Added	D	005	Peaked	eave at top of sidewall	24.000	0.000	0.000	24.00	0.00	0.00	24.000	1.400	25.4	363.7	7.80	9,959
Added	D	006	Peaked	eave at top of sidewall	24.000	0.000	0.000	24.00	0.00	0.00	24.000	1.400	25.4	363.7	7.80	9,959
Added	D	007	Peaked	eave at top of sidewall	24.000	0.000	0.000	24.00	0.00	0.00	24.000	1.400	25.4	363.7	7.80	9,959
Added	D	008	Peaked	eave at top of sidewall	24.000	0.000	0.000	24.00	0.00	0.00	24.000	1.400	25.4	363.7	7.80	9,959
Added	D	009	Peaked	eave at top of sidewall	24.000	0.000	0.000	24.00	0.00	0.00	24.000	1.400	25.4	363.7	7.80	9,959
Added	D	010	Peaked	eave at top of sidewall	24.000	0.000	0.000	24.00	0.00	0.00	24.000	1.400	25.4	363.7	7.80	9,959
Added	D	011	Peaked	eave at top of sidewall	24.000	0.000	0.000	24.00	0.00	0.00	24.000	1.400	25.4	363.7	7.80	9,959
Bin count: 11															Facility: Jamestown Section: D Total:	398,685
															To Even:	399,000

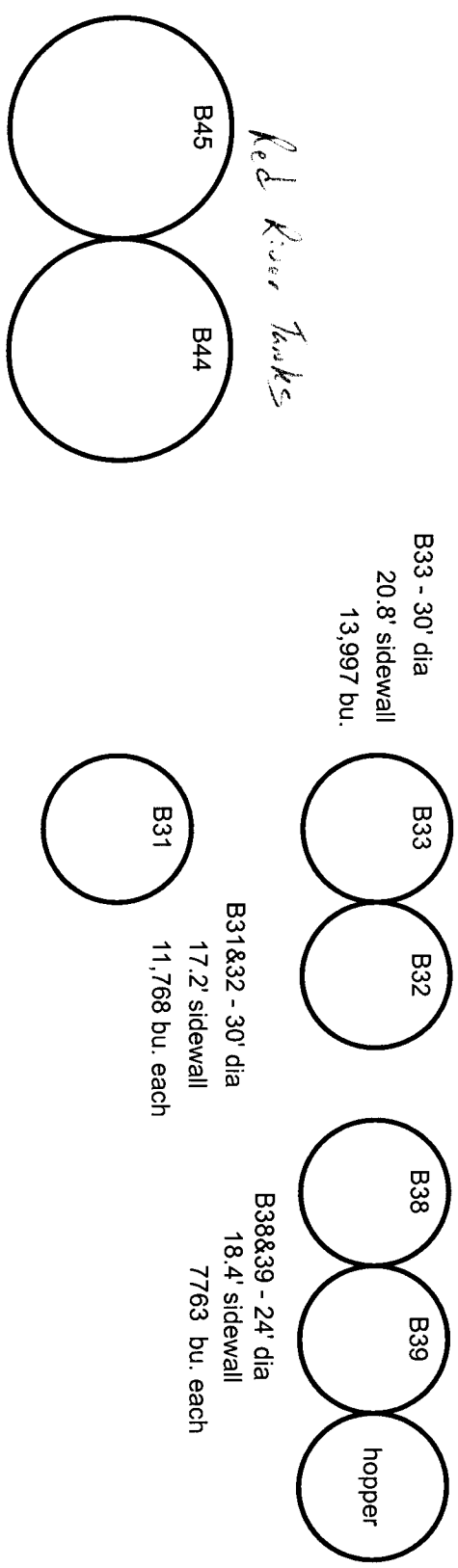
Overall Licensed Bin Capacity for:
Red River Commodities Inc.
 Bin count: 78

Licensed Capacity: 1,643,720 Bu.
 (includes pack)
Licensed Capacity (to even): 1,646,000 Bu.
 (includes pack and section totals are rounded up to next highest 1000)

RED RIVER COMMODITIES
 HERMAN SEED FARM SITE
 SECTION H



HERMAN SEED FARM SITE
 5475 62nd Ave. NE
 Brinsmade ND
 58351



Red River Tanks

B45 - 41.8' dia
 31.8' sidewall
 41,620 bu.

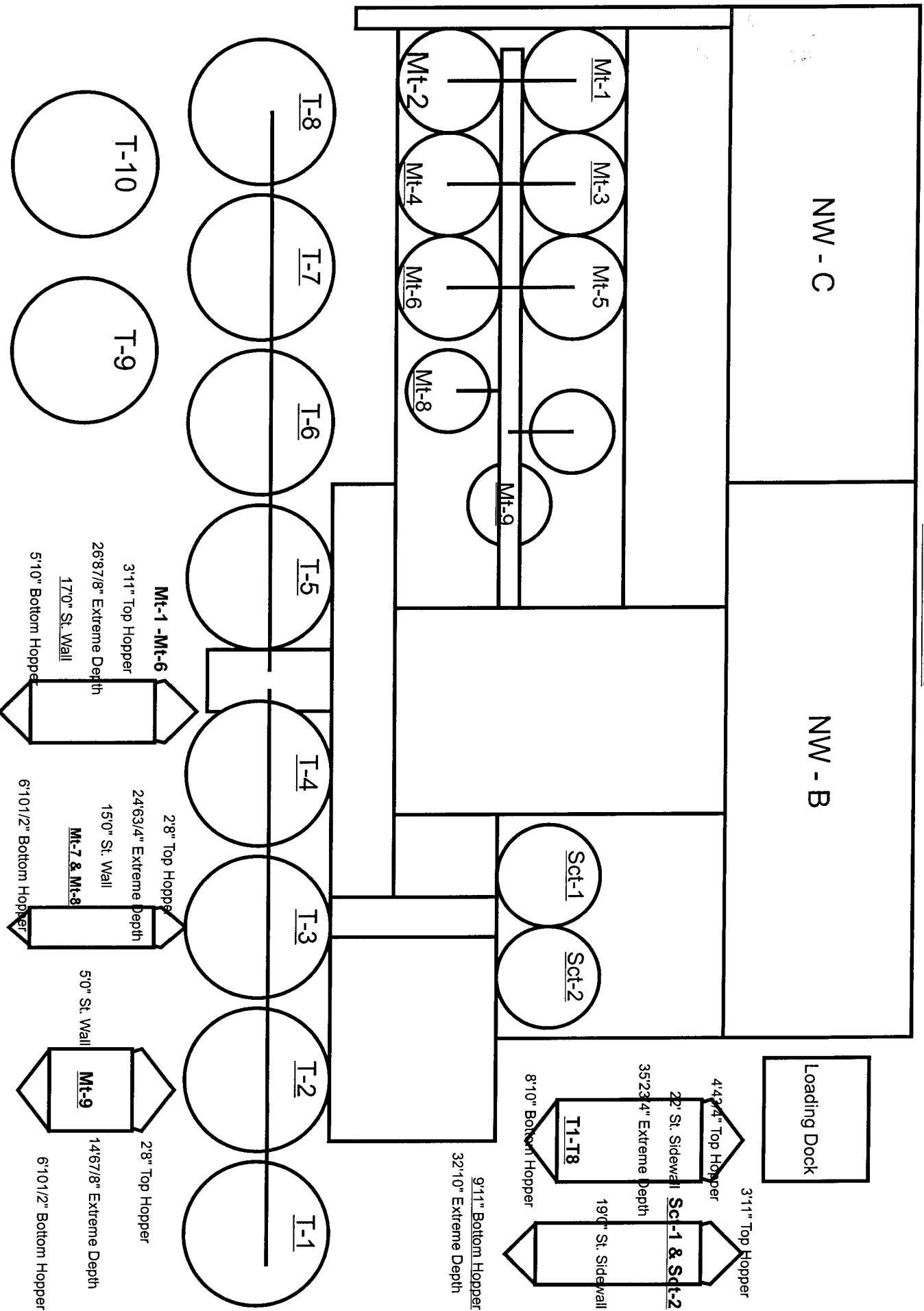
B44 - 42' dia
 30.7' sidewall
 40,673 bu.

ALL BIN CAPACITIES CALCULATED WITH CLEAN 60 LBS/BU HRS-- FILLED TO THE PEAK & 10% PACK

Red River Commodities

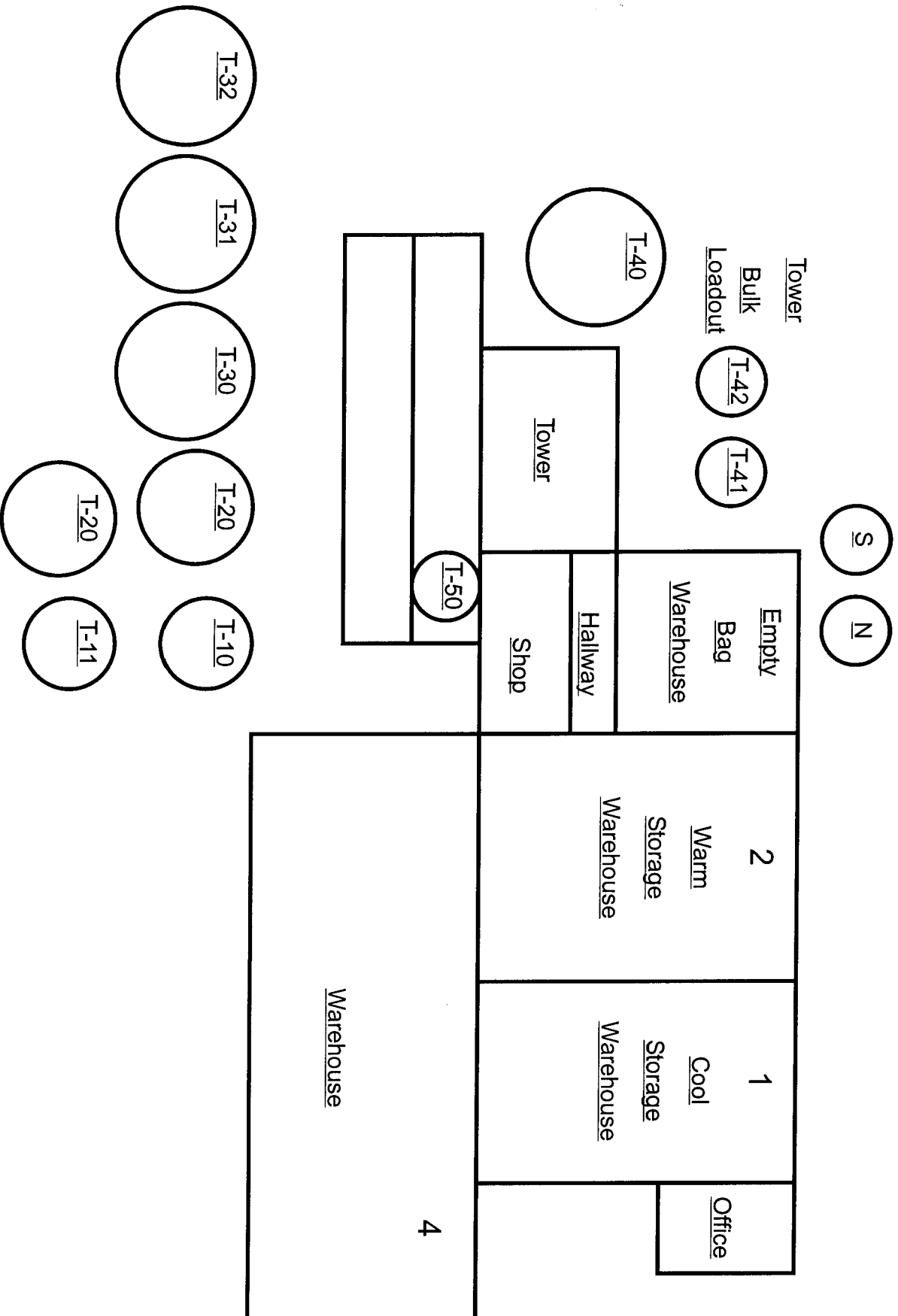
Fargo, North Dakota

Bird Food Plant



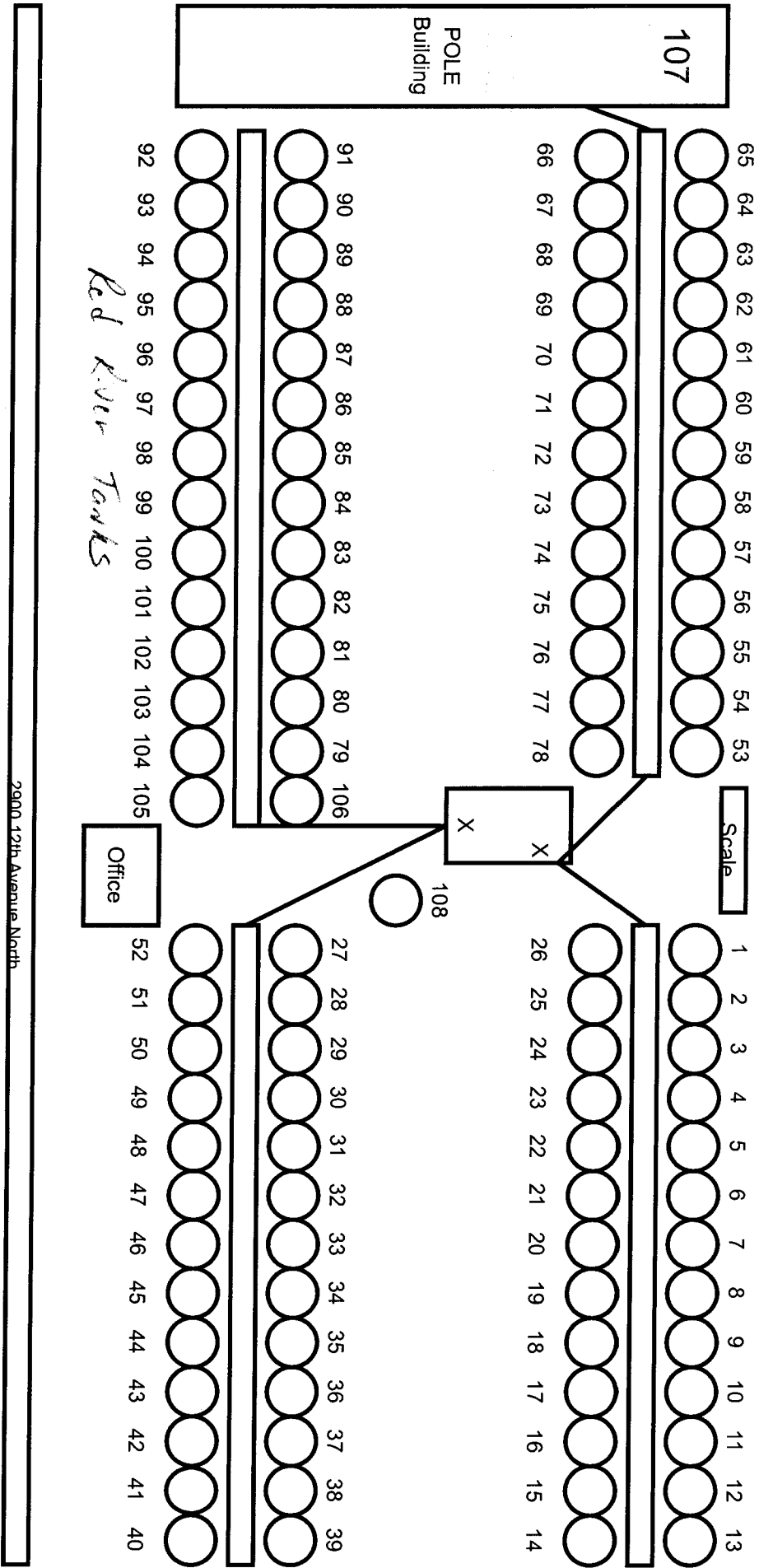
Red River Commodities

Fargo, North Dakota



RED RIVER COMMODITIES, INC.

D & P TERMINAL, INC.



West

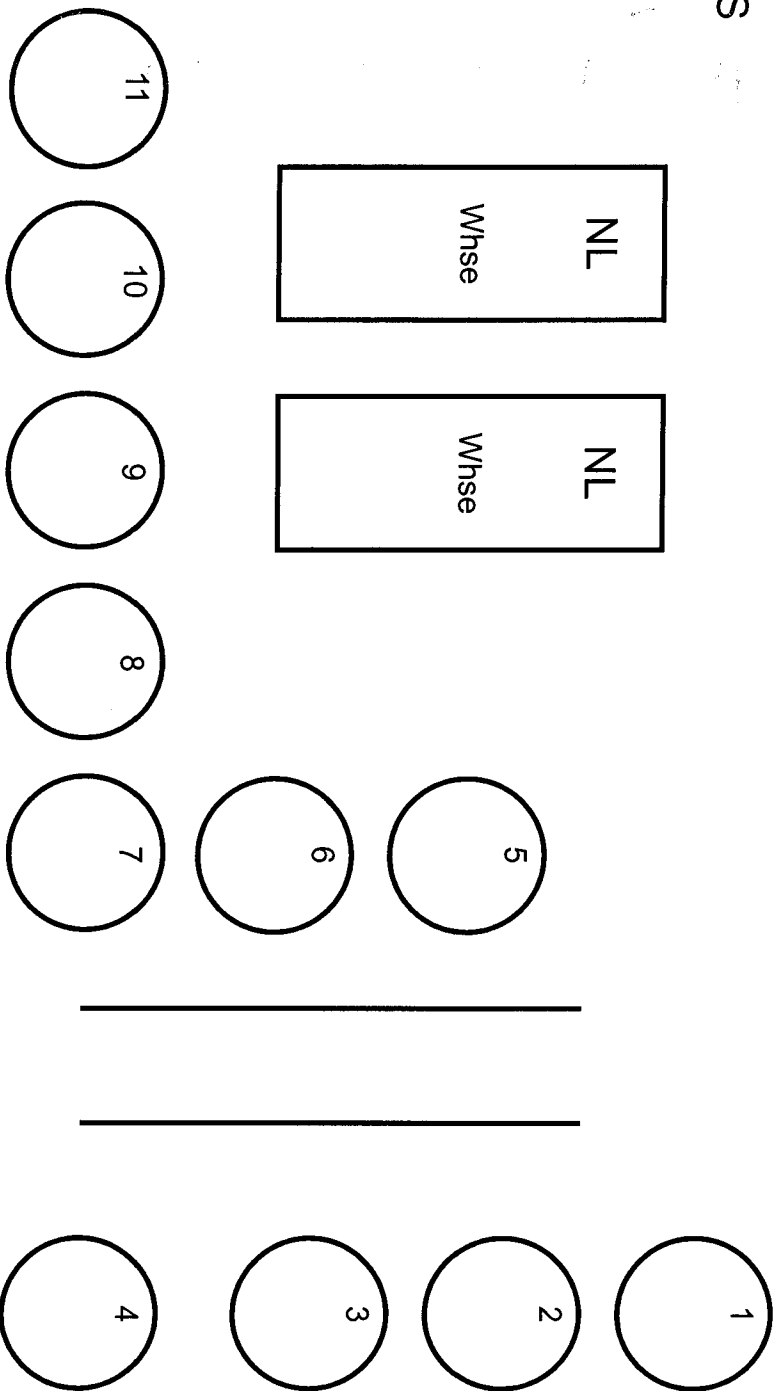
HWY 281

Red River Commodities
4 miles south of Jamestown
Section D

Scale

S

N



East