

Exam Date: 09/16/2008

Northwood Bean Co., Inc.

Page: 1

Examiner: 2

301 S Potato Rd

Northwood, ND

County:

Phone: 701-587-5206

CCC Number:

Location/Container Numbers/Comments	Section	Capacity
-------------------------------------	---------	----------

**PART A - ADDITIONAL SPACE TO BE INCLUDED UNDER LICENSE**

002	F } Korsmo	9,925
003	F }	9,925
001	J Johnson	6,284
002	J	6,284
003	J	6,284
004	J	6,284
005	J	6,284
006	J	6,284
007	J	6,284
008	J	6,284
009	J	6,284
010	J	6,284
<b>Total:</b>		<b>82,690</b>

**PART B - SPACE TO BE DELETED UNDER LICENSE**

002	E Sherva south	51,994
001	G West end northeast of town by rural water tower	29,611
<b>Total:</b>		<b>81,605</b>

**PART C - ALL SPACE TO BE INCLUDED UNDER LICENSE**

A	55,000	
B	21,000	
C	33,000	
E	44,000	
F	30,000	
J	63,000	
<b>Total:</b>		<b>246,000</b>

**PART D - TOTAL CAPACITY BY FUNCTIONAL UNIT**

Northwood	1136	A B C E F J	246,000
<b>Total:</b>			<b>246,000</b>

Exam Date: 09/16/2008 Northwood Bean Co., Inc. Page: 1  
 Examiner: 2 301 S Polato Rd  
Northwood, ND  
County:

Status	Section	Bin Number	Bin Type	Base Point	Diameter or Bu/Ft (Irreg.)	Length	Width	Side wall	Add for Hopper	Ded. for Obst.	Effective Depth	Add for Peak	Depth for Capac.	Bushels per Foot	Base Pack%	Bushel Capacity with Pack
--------	---------	------------	----------	------------	----------------------------	--------	-------	-----------	----------------	----------------	-----------------	--------------	------------------	------------------	------------	---------------------------

## Facility: Northwood

**Section: A**

A	001	Peaked	top of sidewall at eave	12.000	0.000	0.000	12.00	2.00	0.00	0.00	14.000	0.700	14.7	90.9	5.00	1,403	
A	003	Flat	bag storage	0.000	48.00	70.00	2.000	0.00	0.00	0.00	2.000	0.000	2.0	2701.0	10.0	5,942	
A	102	Peaked	top of sidewall at eave	36.000	0.000	0.000	22.00	0.00	0.00	0.00	22.000	2.200	24.2	818.2	10.0	21,780	
A	103	Peaked	top of sidewall at eave	36.000	0.000	0.000	25.70	0.00	0.00	0.00	25.700	2.200	27.9	818.2	10.0	25,111	
<b>Bin count:</b>				<b>4</b>												<b>Facility: Northwood Section: A Total:</b>	<b>54,236</b>
																To Even:	<b>55,000</b>

**Section: B**

B	201	chstr	Flat	bag storage only	0.000	83.50	18.50	5.000	0.00	0.00	5.000	0.000	5.0	1241.8	10.0	6,830	
B	202	Flat	bag storage only	0.000	83.50	18.50	5.000	0.00	0.00	0.00	5.000	0.000	5.0	1241.8	10.0	6,830	
B	203	Flat	bag storage only	0.000	83.50	18.50	5.000	0.00	0.00	0.00	5.000	0.000	5.0	1241.8	10.0	6,830	
<b>Bin count:</b>				<b>3</b>												<b>Facility: Northwood Section: B Total:</b>	<b>20,490</b>
																To Even:	<b>21,000</b>

**Section: C**

C	303	Quonset	center arch to floor 20.0'	0.000	100.0	40.00	9.500	0.00	0.00	0.00	9.500	0.000	9.5	3090.0	10.0	32,291	
<b>Bin count:</b>				<b>1</b>												<b>Facility: Northwood Section: C Total:</b>	<b>32,291</b>
																To Even:	<b>33,000</b>

Exam Date: 09/16/2008 Northwood Bean Co., Inc. Page: 2  
 Examiner: 2 301 S Potato Rd  
Northwood, ND  
County:

Status	Section	Bin Number	Bin Type	Base Point	Diameter or Bu/Ft (irreg).	Length	Width	Side wall	Add for Hopper	Del. for Obs.	Effective Depth	Add for Peak	Depth for Capac.	Bushels per Foot	Base Pack%	Bushel Capacity with Pack
--------	---------	------------	----------	------------	----------------------------	--------	-------	-----------	----------------	---------------	-----------------	--------------	------------------	------------------	------------	---------------------------

## Facility: Northwood

**Section: E**

E	001	Flat	Sherva North flat		0.000	53.50	97.50	9.500	0.00	0.00	9.500	0.000	9.5	4193.1	10.0	43,817
---	-----	------	-------------------	--	-------	-------	-------	-------	------	------	-------	-------	-----	--------	------	--------

Bin count: 1 Facility: Northwood Section: E Total: 43,817  
 To Even: 44,000

**Section: F** *No diagram*

F	001	Flat	korsmo potato flat		0.000	69.50	19.00	8.500	0.00	0.00	8.500	0.000	8.5	1061.5	10.0	9,925	
Added	F	002	Flat	korsmo potato flat		0.000	69.50	19.00	8.500	0.00	0.00	8.500	0.000	8.5	1061.5	10.0	9,925
Added	F	003	Flat	korsmo potato flat		0.000	69.50	19.00	8.500	0.00	0.00	8.500	0.000	8.5	1061.5	10.0	9,925

Bin count: 3 Facility: Northwood Section: F Total: 29,775  
 To Even: 30,000

**Section: J** *No diagram*

Added	J	001	Flat	Johnson potato wrhse		0.000	56.00	15.00	8.500	0.00	0.00	8.500	0.000	8.5	675.2	9.50	6,284
Added	J	002	Flat	Johnson potato wrhse		0.000	56.00	15.00	8.500	0.00	0.00	8.500	0.000	8.5	675.2	9.50	6,284
Added	J	003	Flat	Johnson potato wrhse		0.000	56.00	15.00	8.500	0.00	0.00	8.500	0.000	8.5	675.2	9.50	6,284
Added	J	004	Flat	Johnson potato wrhse		0.000	56.00	15.00	8.500	0.00	0.00	8.500	0.000	8.5	675.2	9.50	6,284
Added	J	005	Flat	Johnson potato wrhse		0.000	56.00	15.00	8.500	0.00	0.00	8.500	0.000	8.5	675.2	9.50	6,284
Added	J	006	Flat	Johnson potato wrhse		0.000	56.00	15.00	8.500	0.00	0.00	8.500	0.000	8.5	675.2	9.50	6,284
Added	J	007	Flat	Johnson potato wrhse		0.000	56.00	15.00	8.500	0.00	0.00	8.500	0.000	8.5	675.2	9.50	6,284
Added	J	008	Flat	Johnson potato wrhse		0.000	56.00	15.00	8.500	0.00	0.00	8.500	0.000	8.5	675.2	9.50	6,284

Exam Date: 09/16/2008  
Examiner: 2

Northwood Bean Co., Inc.  
301 S Polato Rd  
Northwood, ND  
County:

Status	Section	Bin Number	Bin Type	Base Point	Diameter or Bu/Ft (Ireg).	Length	Width	Side wall	Add for Hopper	Ded. for Obst.	Effective Depth	Add for Peak	Depth for Capac.	Bushels per Foot	Base Pack%	Bushel Capacity with Pack
--------	---------	------------	----------	------------	---------------------------	--------	-------	-----------	----------------	----------------	-----------------	--------------	------------------	------------------	------------	---------------------------

## Facility: Northwood

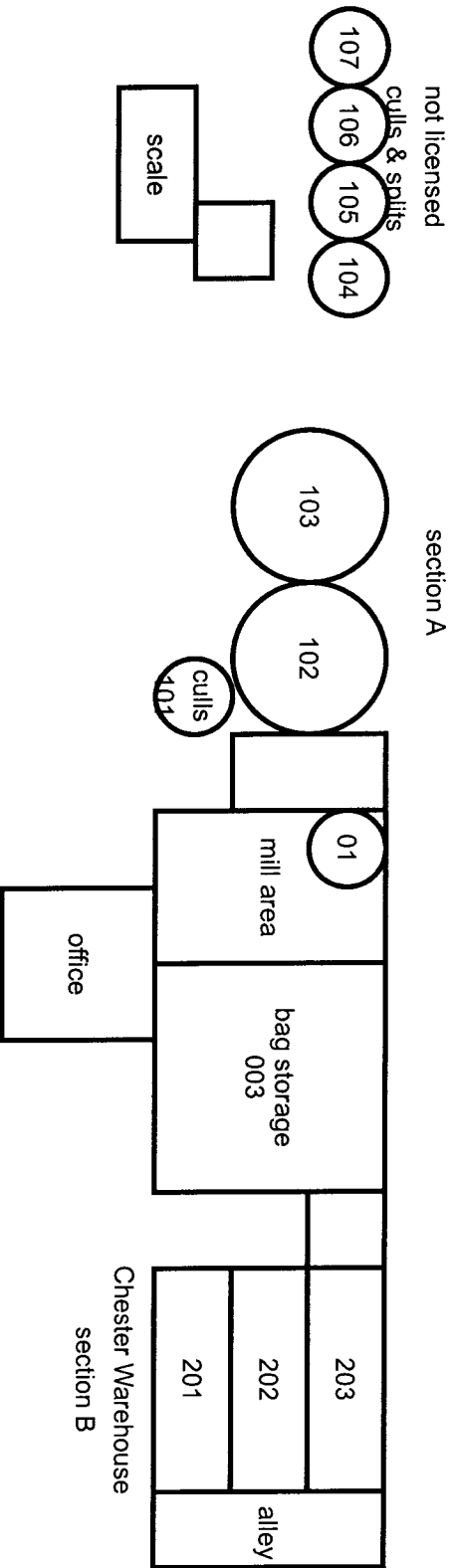
Added	J	009	Flat	Johnson potato wrhse	0.000	56.00	15.00	8.500	0.00	0.00	8.500	0.000	8.5	675.2	9.50	6,284
Added	J	010	Flat	Johnson potato wrhse	0.000	56.00	15.00	8.500	0.00	0.00	8.500	0.000	8.5	675.2	9.50	6,284

Bin count: 10      Facility: Northwood Section: J Total: 62,840

To Even: 63,000

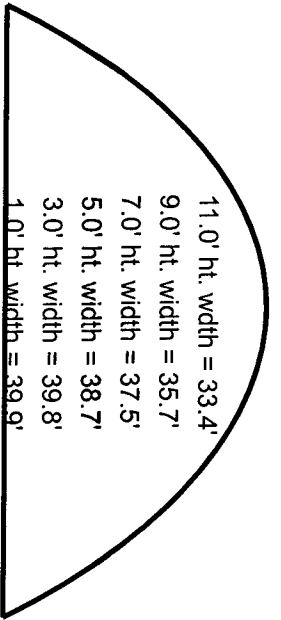
<p><u>Overall Licensed Bin Capacity for:</u>  <b>Northwood Bean Co., Inc.</b>          Bin count: 22</p>	<p><b>Licensed Capacity:</b>          (Includes pack) <u>243,449 Bu.</u></p> <p><b>Licensed Capacity (to even):</b>          (Includes pack and section totals are rounded up to next highest 1000) <u>246,000 Bu.</u></p>
--	--

NORTHWOOD BEAN  
 KNIGHT SEED  
 Northwood N.D.

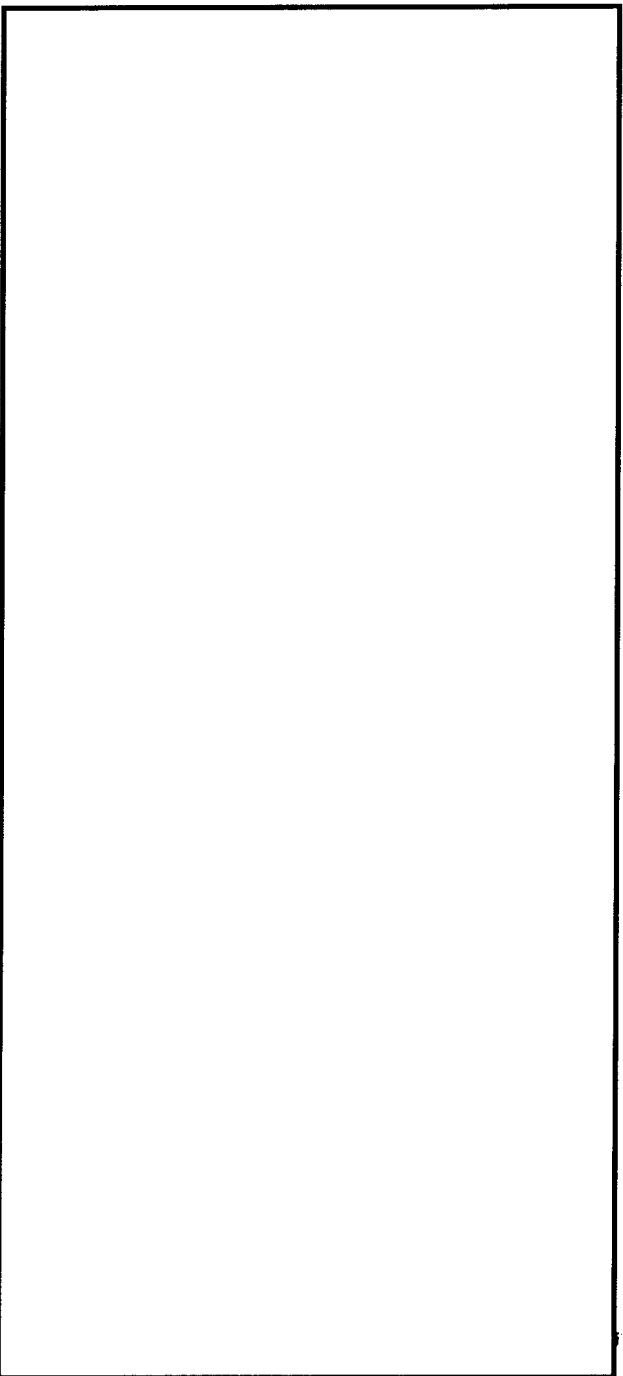


- Section C storage site
- located northeast of town
- 303 east quonset building
- Section E - Sherva north
- Section F - Korsmo potato wrhse
- Section J - Johnson Potato wrhse

KNIGHT SEED COMPANY  
NORTHWOOD BEAN  
SECTION C  
Quonsets # 301 & 303



- Basic Dimensions --
- side wall braces top of to floor 6.0'
  - end wall braces top of to floor 8.0'
  - bottom center of over head arch beam 20.0'
  - inside length ??? 100.0'
  - space between main arch beams 4.0' center to center



east quonset # 303

Sherva North #001  
53.5' W x 71.0'L

KNIGHT SEED COMPANY  
NORTHWOOD BEAN  
SECTION E  
Sherva buildings north  
# 001  
located across street from plant

