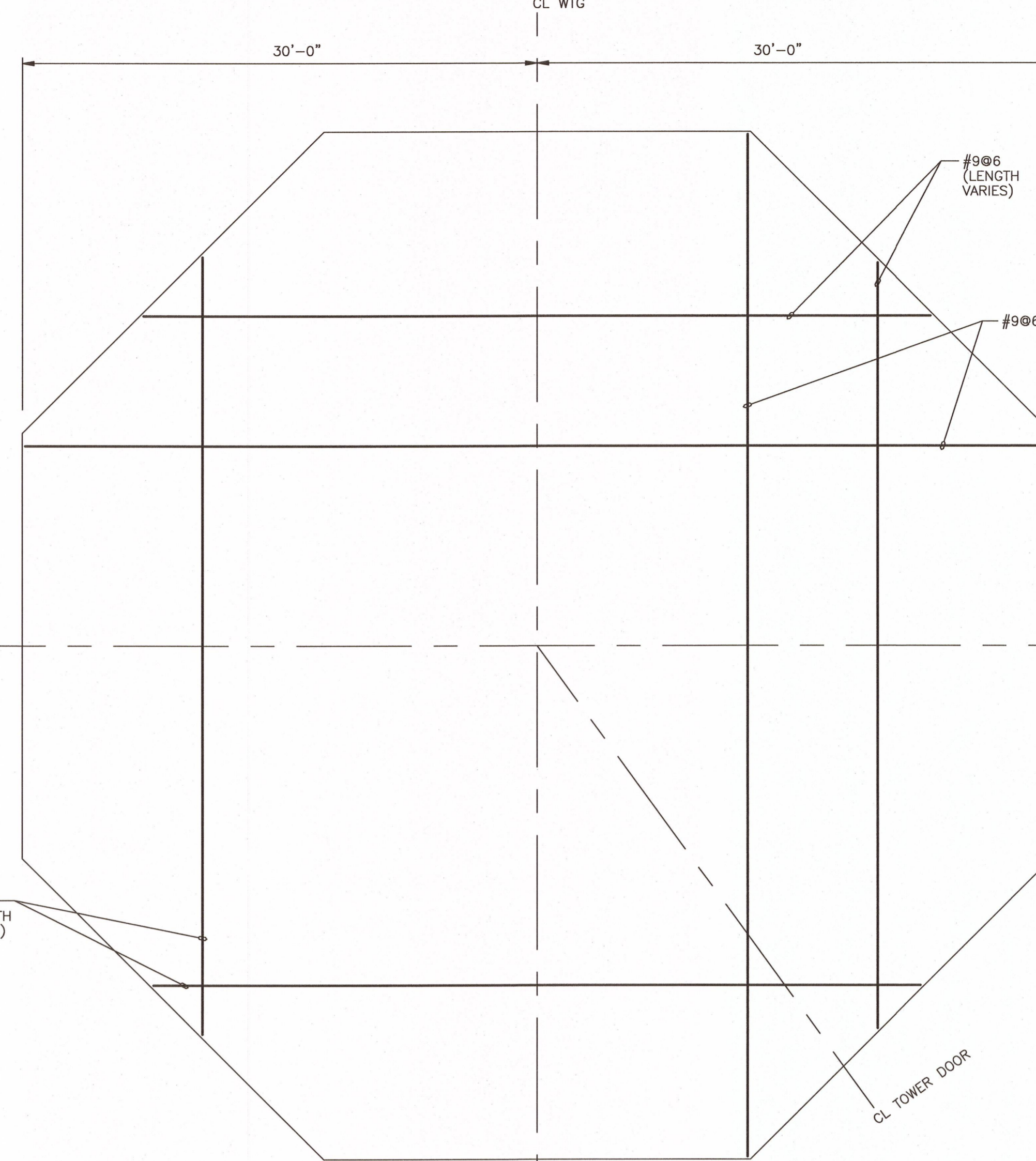
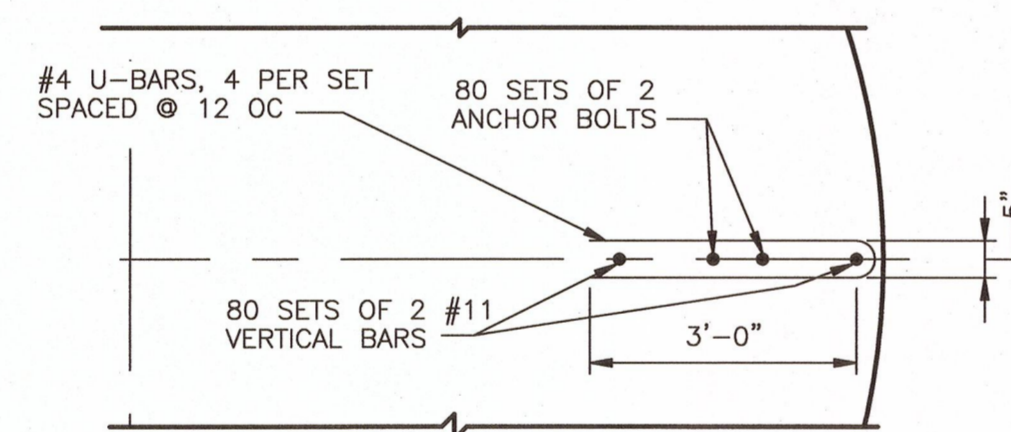


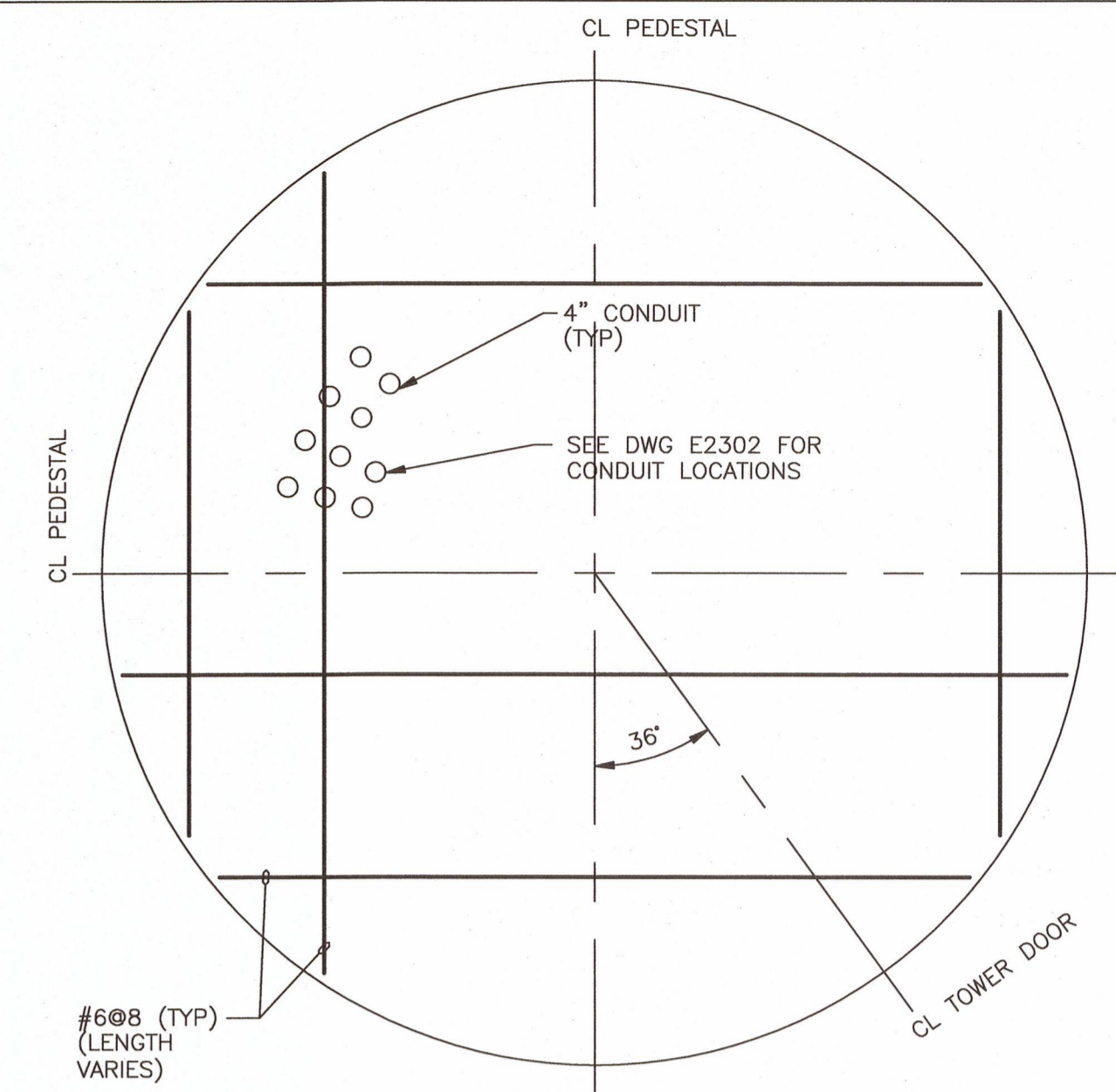
**BOTTOM MAT REINFORCEMENT PLAN**  
SCALE: 3/16"=1'-0"  
(SEE NOTE 3)



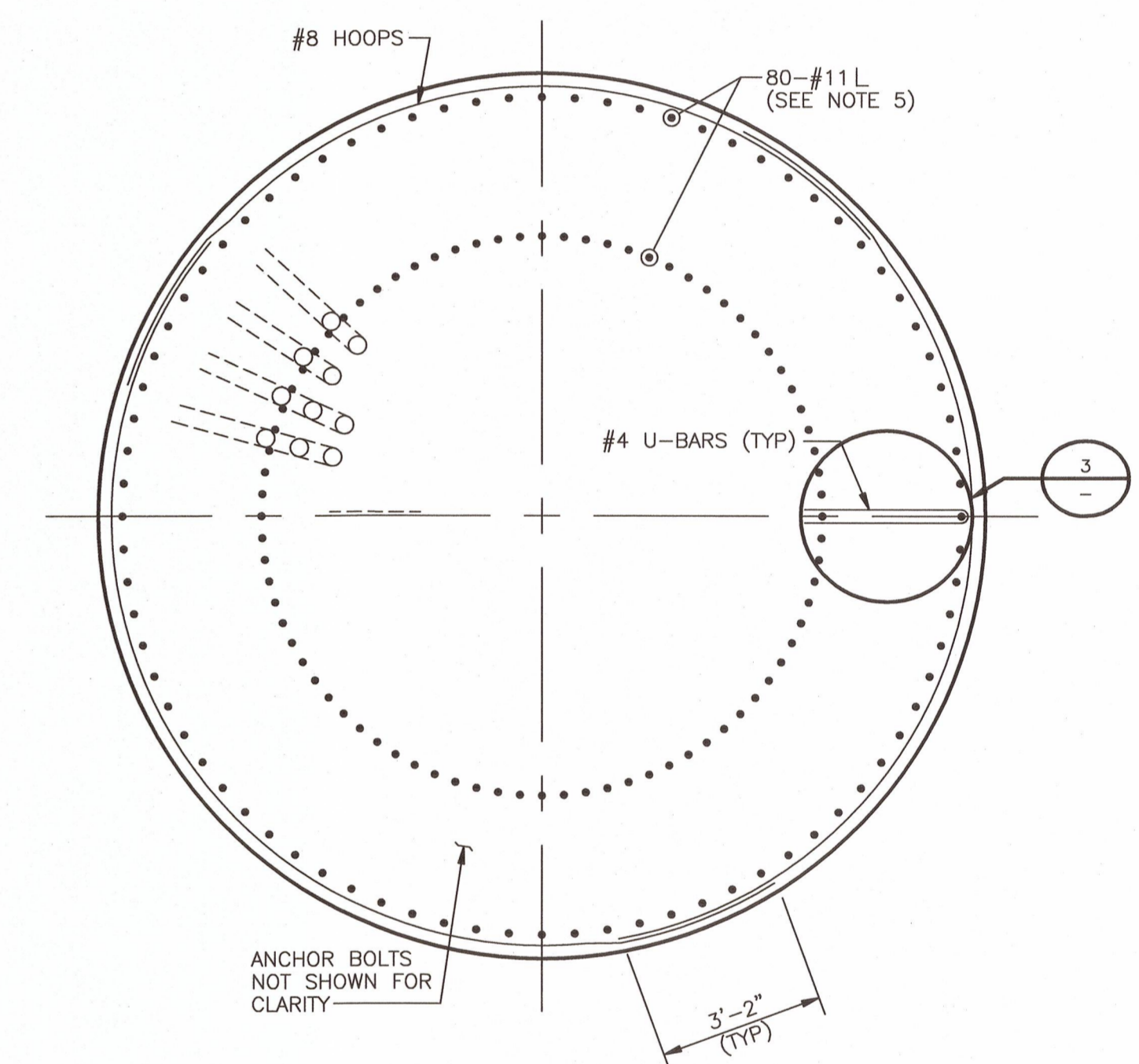
**TOP MAT REINFORCEMENT PLAN**  
SCALE: 3/16"=1'-0"  
(SEE NOTE 3)



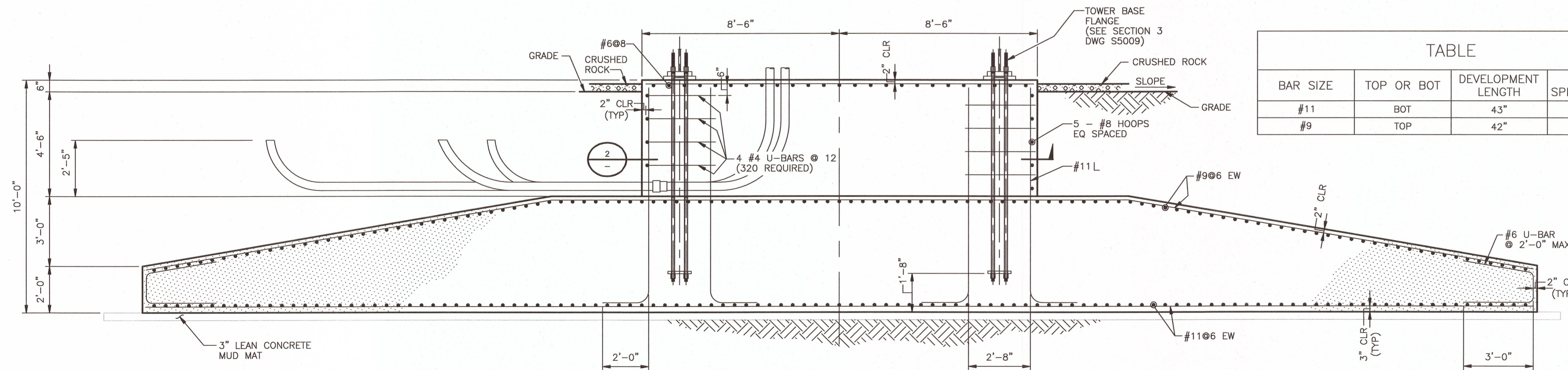
**DETAIL 3**  
SCALE: 1/2"=1'-0"



**PEDESTAL TOP REINFORCING**  
SCALE: 3/8"=1'-0"



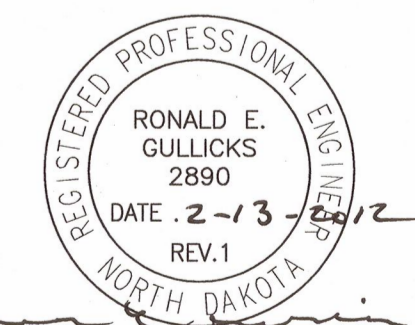
**SECTION 2**  
SCALE: 3/8"=1'-0"



**SECTION 1**  
SCALE: 3/8"=1'-0"

TABLE			
BAR SIZE	TOP OR BOT	DEVELOPMENT LENGTH	CLASS B SPLICE LENGTH
#11	BOT	43"	56"
#9	TOP	42"	54"

- NOTES**
- SEE DRAWING 1TGU-S5008 FOR SPECIFICATIONS AND GENERAL NOTES.
  - SEE DRAWING 1TGU-S5009 FOR DESIGN DATA.
  - ALL MAT TOP AND BOTTOM REINFORCEMENT SHALL BE CONTINUOUS. SHOULD INTERFERENCE OCCUR REQUIRING REINFORCEMENT TO BE SPLICED, THE DEVELOPMENT LENGTHS AND SPLICE LENGTHS SHALL BE AS SHOWN IN TABLE ON THIS DRAWING.
  - PEDESTAL TOP REINFORCING CAN BE BENT SLIGHTLY TO FIT THROUGH THE ANCHOR BOLTS AND CONDUIT.
  - VERTICAL #11 BARS MAY BE RELOCATED WHERE INTERFERENCES WITH CONDUITS OCCUR. MINIMUM CENTER TO CENTER SPACING OF BARS SHALL BE 3 1/2".



NO.	DATE	REVISION DESCRIPTION	BY	APPROVED	NO.	DATE	REVISION DESCRIPTION	BY	APPROVED
-	-	-	-	-	-	-	-	-	-
1	2-9-12	CONSTRUCTION REVISIONS, W.O.#17480	NJG	[Signature]	1	2-9-12	CONSTRUCTION REVISIONS, W.O.#17480	NJG	[Signature]
0	03-09-11	ISSUED APPROVED FOR CONSTRUCTION	SPJ	[Signature]	0	03-09-11	ISSUED APPROVED FOR CONSTRUCTION	SPJ	[Signature]

**BLACK & VEATCH**  
CORPORATION  
ENGINEER  
3/15/11  
DATE 03-15-11  
SIGNED [Signature]  
DATE 3/15/11  
PE-1973

**MINNESOTA POWER**  
BISON WIND GENERATING FACILITY  
NEW SALEM, ND

BISON WIND ENERGY PROJECT PHASE 1B  
WIND TURBINE FOUNDATION  
REINFORCEMENT PLAN & SECTIONS

SHEET 165233-1TGU-S5010  
REV. 1