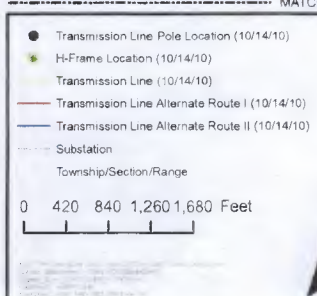


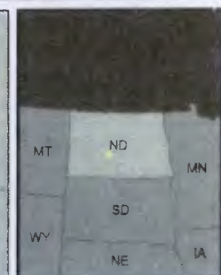
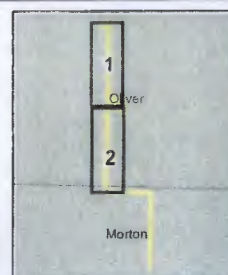
50 PU-09-724 Filed: 10/25/2010 Pages: 11
Exhibit 2

NextEra Energy Resources, LLC



NextEra Oliver III
Transmission Line Route
and Pole Locations - North

October 2010



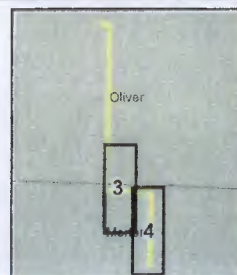


- Transmission Line Pole Location (10/14/10)
 - H-Frame Location (10/14/10)
 - Transmission Line (10/14/10)
 - Transmission Line Alternate Route I (10/14/10)
 - Transmission Line Alternate Route II (10/14/10)
 - Substation
 - Township/Section/Range
- 0 440 880 1,320 1,760 Feet



NextEra Oliver III Transmission Line Route and Pole Locations - South

October 2010

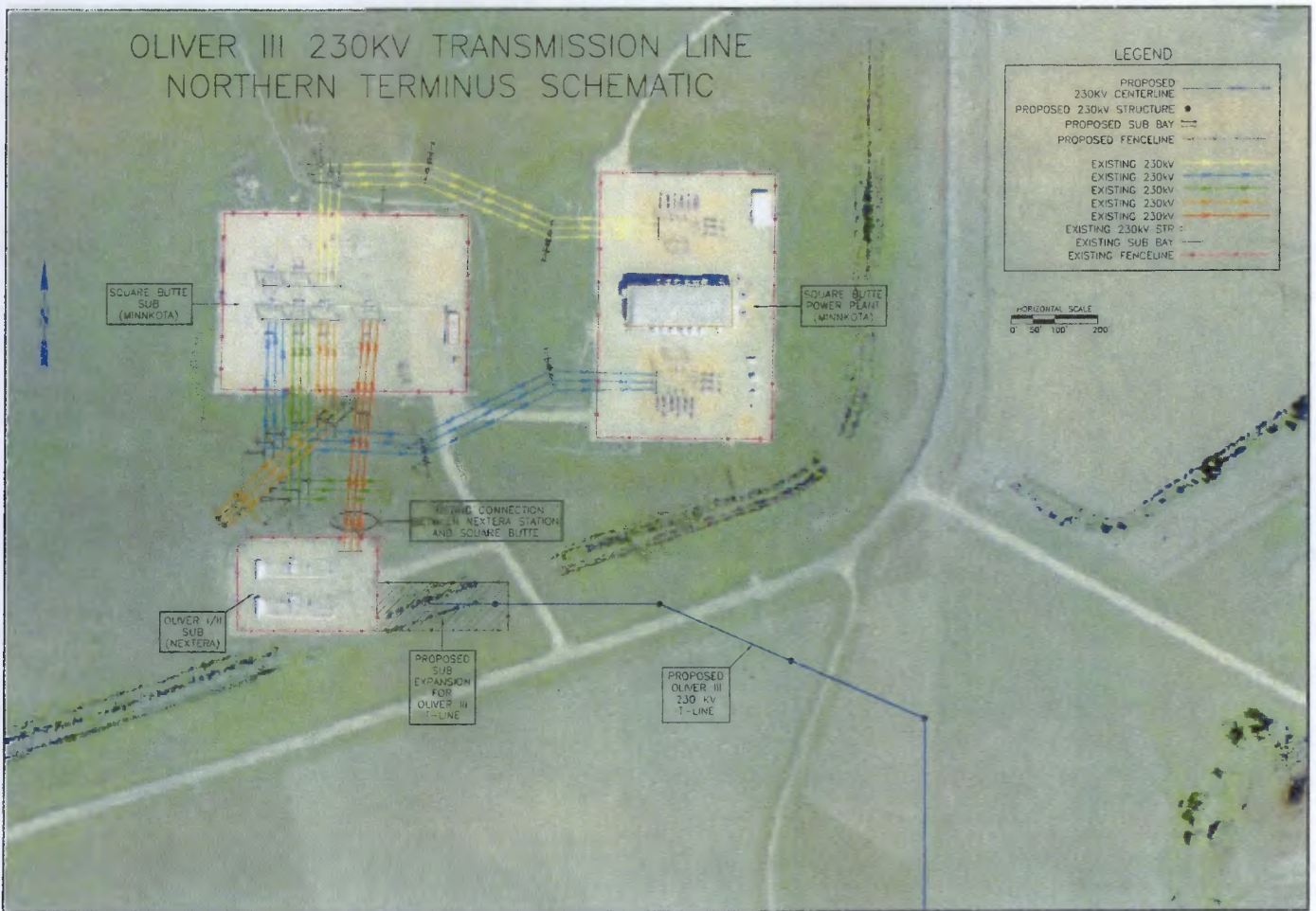


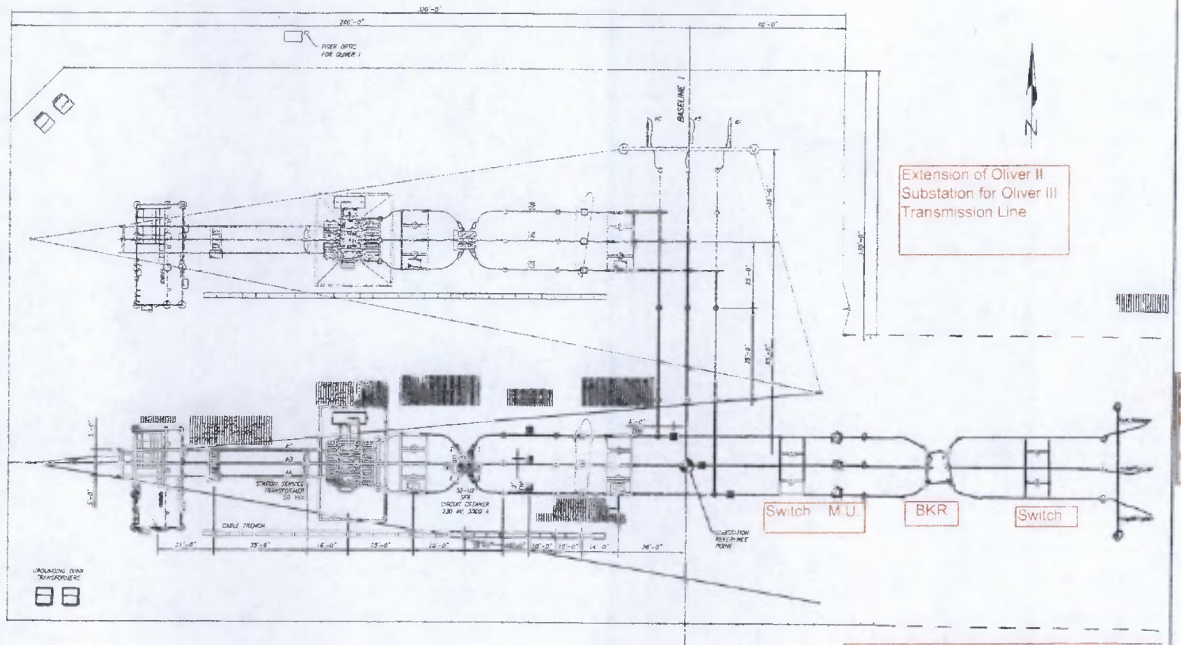
OLIVER III 230KV TRANSMISSION LINE NORTHERN TERMINUS SCHEMATIC

LEGEND

PROPOSED 230KV CENTERLINE	—
PROPOSED 230KV STRUCTURE	●
PROPOSED SUB BAY	□
PROPOSED FENCELINE	—
EXISTING 230KV	—
EXISTING 230KV	—
EXISTING 230KV	—
EXISTING 230KV	—
EXISTING 230KV STR	—
EXISTING SUB BAY	□
EXISTING FENCELINE	—

HORIZONTAL SCALE
0 50 100 200





Extension of Oliver II Substation for Oliver III Transmission Line

Oliver III 230 kV line

Extend fence east approximately 300 feet.
New control house or will use existing rack in current control house.

P:\11111111\11111111.dwg (11/11/11) 11/11/11 11:11:11 AM 11/11/11 11:11:11 AM 11/11/11 11:11:11 AM

PEAKPOWER ENGINEERING
 P.O. Box 340
 Greeley, Colorado 80402
 (303) 452-1100 phone
 (303) 452-2000 fax

FPL Energy

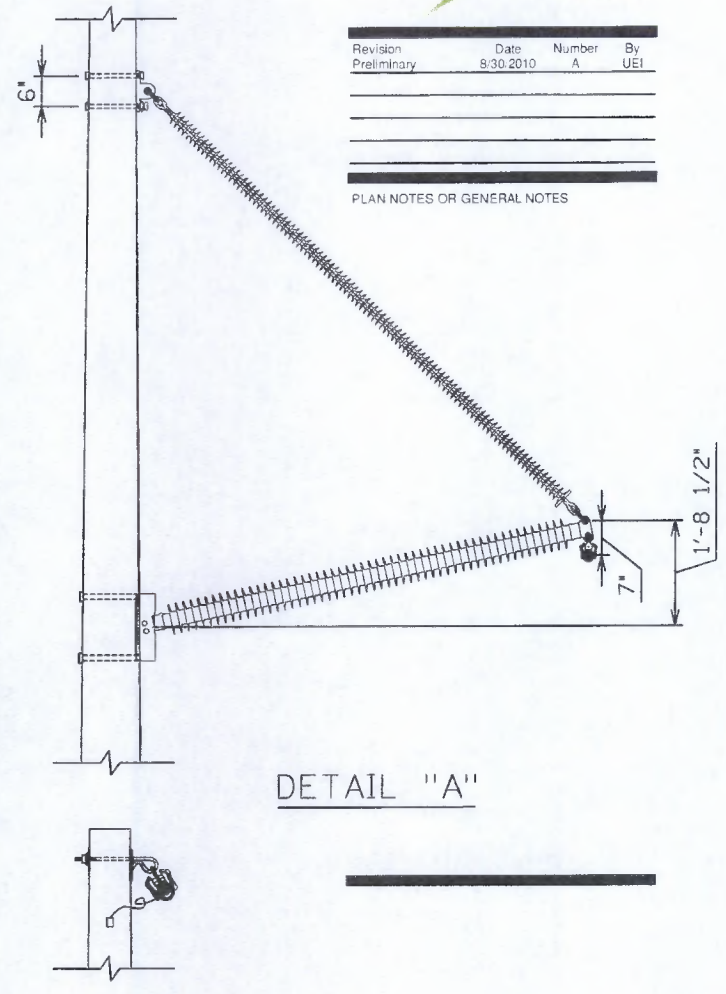
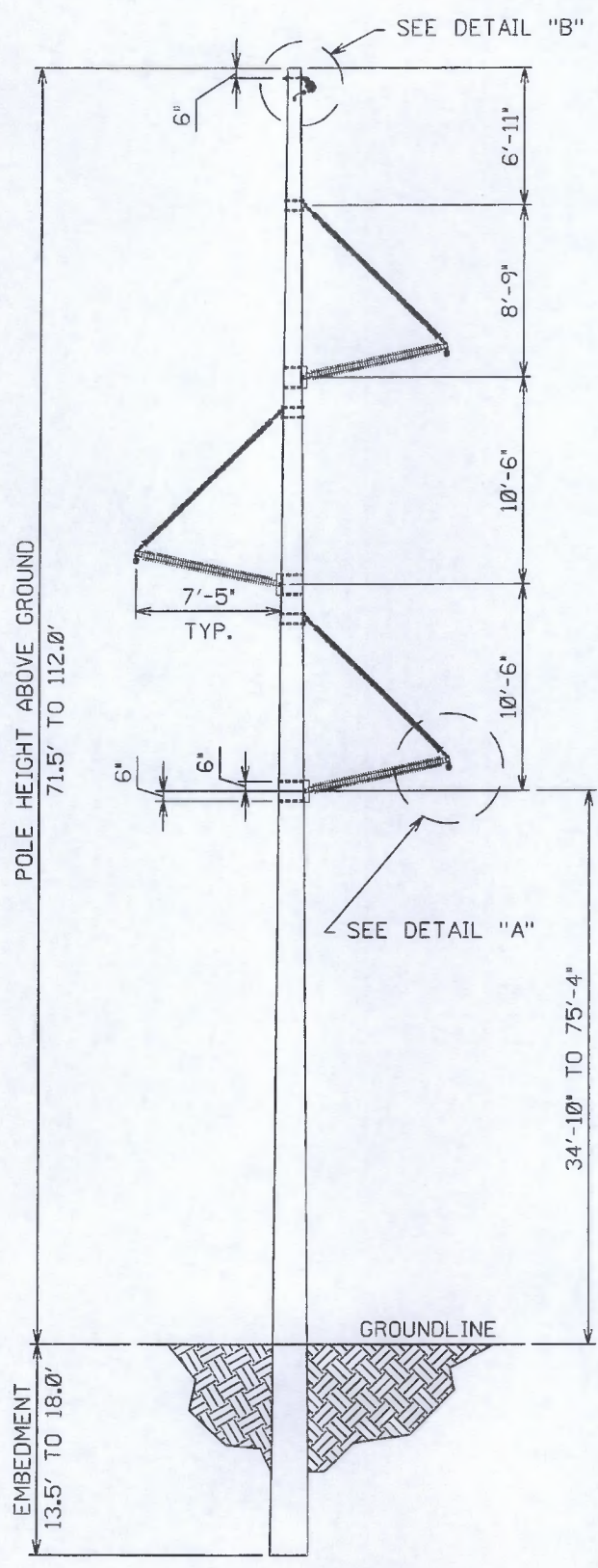
NO.	DESCRIPTION	DATE	BY	CHKD.	APP'D.
1	ISSUED FOR PERMIT	08/11/09
2
3
4
5

FPL ENERGY
 OLIVER COUNTY PHASE II SUBSTATION
 GENERAL ARRANGEMENT
 DATE: 08/11/09
 622-1001



Revision	Date	Number	By
Preliminary	8/30/2010	A	UEI

PLAN NOTES OR GENERAL NOTES



DETAIL "A"

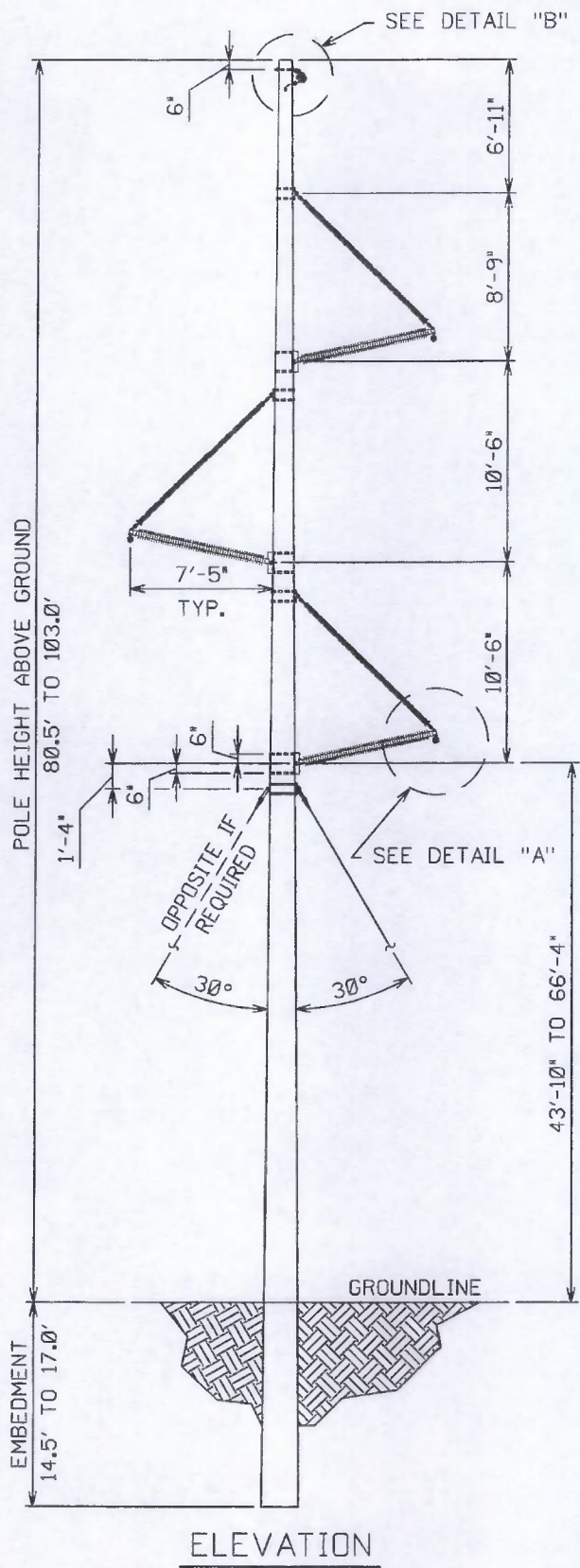
DETAIL "B"

Bismack - Cedar Rapids - Denver - Detroit Lakes - Fargo - Minneapolis - Sioux Falls
 3350 38th Ave S
 Fargo, North Dakota 58104
 Phone: 701.280.8500 Fax: 701.237.3191
 Web: www.ulteig.com
 Drawn By: MPE
 Checked By: SPT
 Approved By: SPT

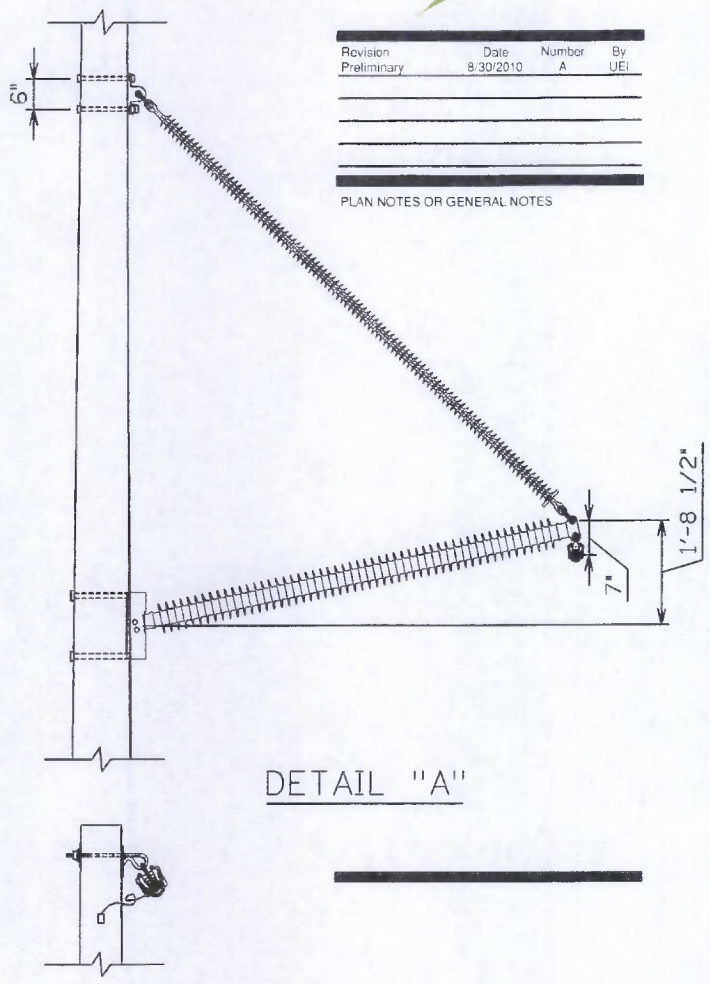
OLIVER III
230kV T-LINE
STRUCTURE CONFIGURATION
TANGENT
0°-0°30'
 Project Number: 10.00121
 Date Created: August 30, 2010
 Sheets: 1 of 1
 Dwg No: **TAN-1-PSC**

Revision	Date	Number	By
Preliminary	8/30/2010	A	UEI

PLAN NOTES OR GENERAL NOTES



ELEVATION



DETAIL "A"

DETAIL "B"



Bismarck - Cedar Rapids - Denver - Detroit Lakes - Fargo - Minneapolis - Sioux Falls
3350 38th Ave S
Fargo, North Dakota 58104
Phone: 701.280.8500 Fax: 701.237.3191
Web: www.ulteig.com
Drawn By: MPE
Checked By: SPT
Approved By: SPT

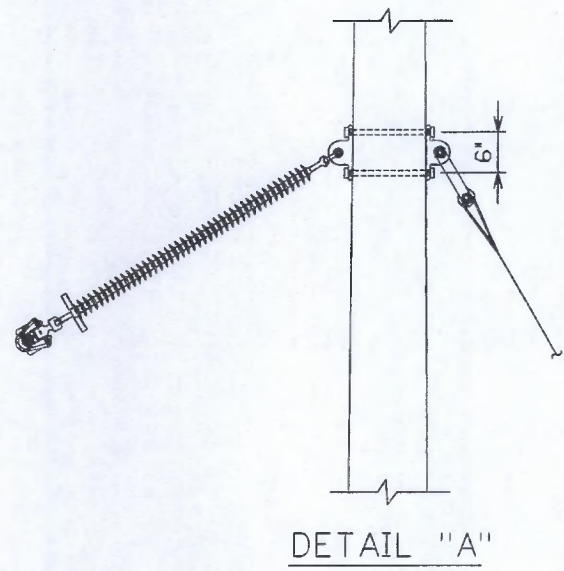
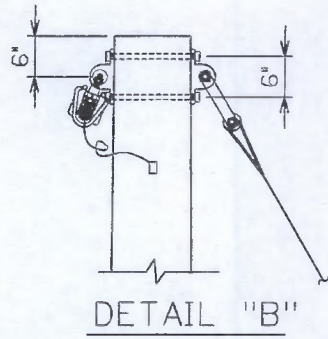
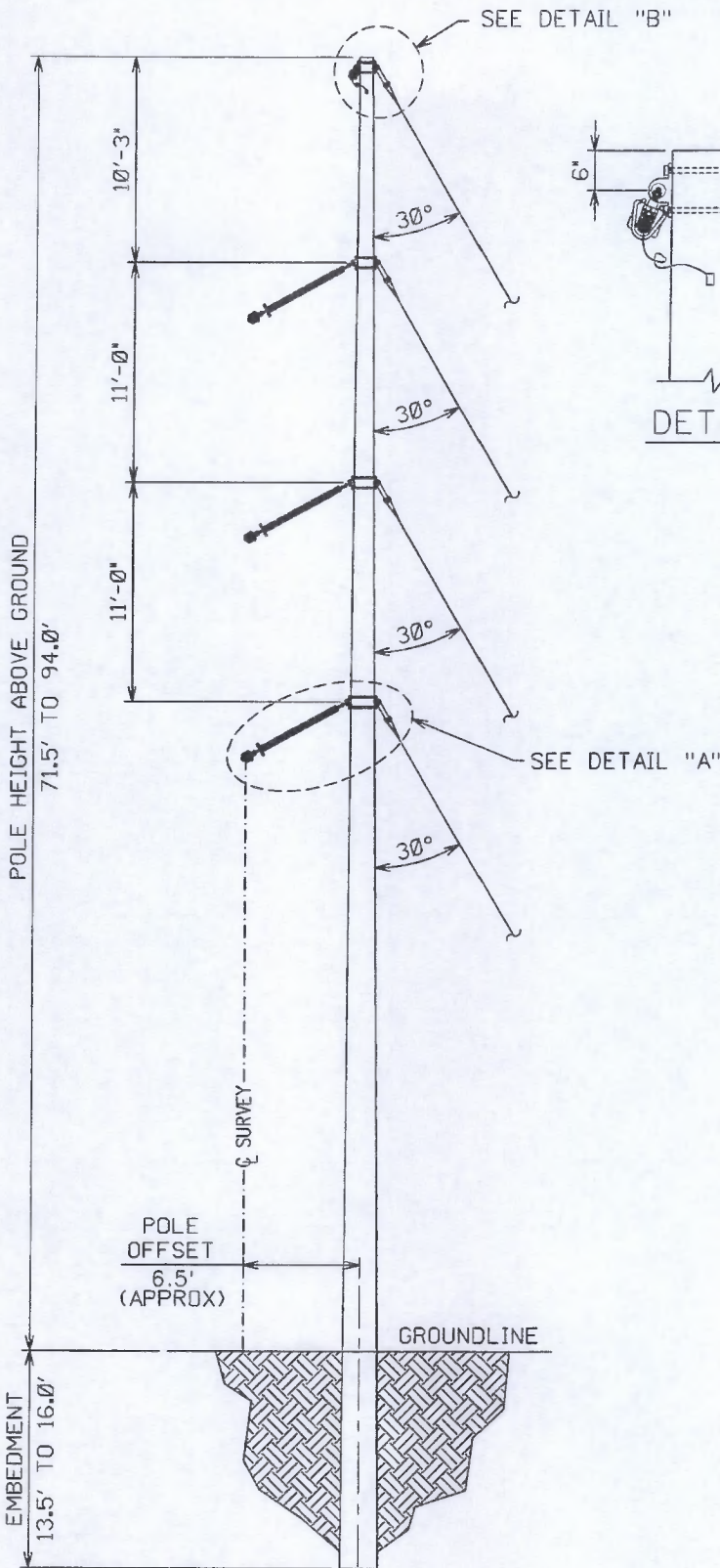
OLIVER III
230KV T-LINE
STRUCTURE CONFIGURATION
SMALL ANGLE
0°30'-2°

Project Number: 10.00121
Date Created: August 30, 2010
Sheets: 1 of 1

Dwg No: SMALL ANG-1-PSC

Revision	Date	Number	By
Preliminary	8/30/2010	A	UEI

PLAN NOTES OR GENERAL NOTES



ELEVATION

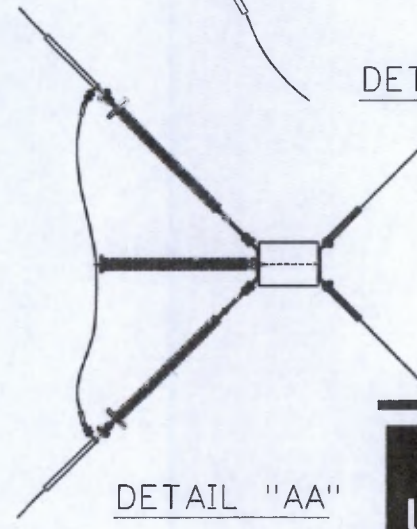
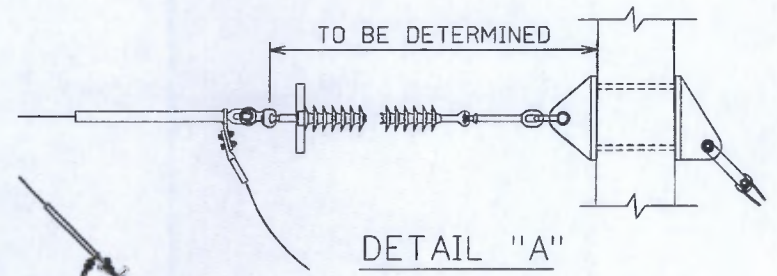
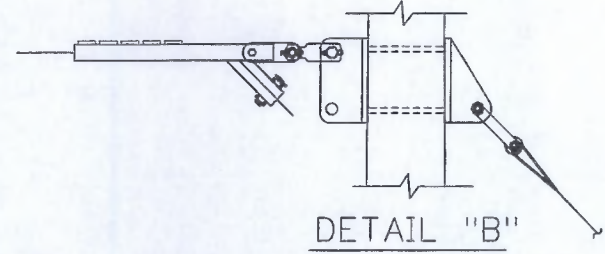
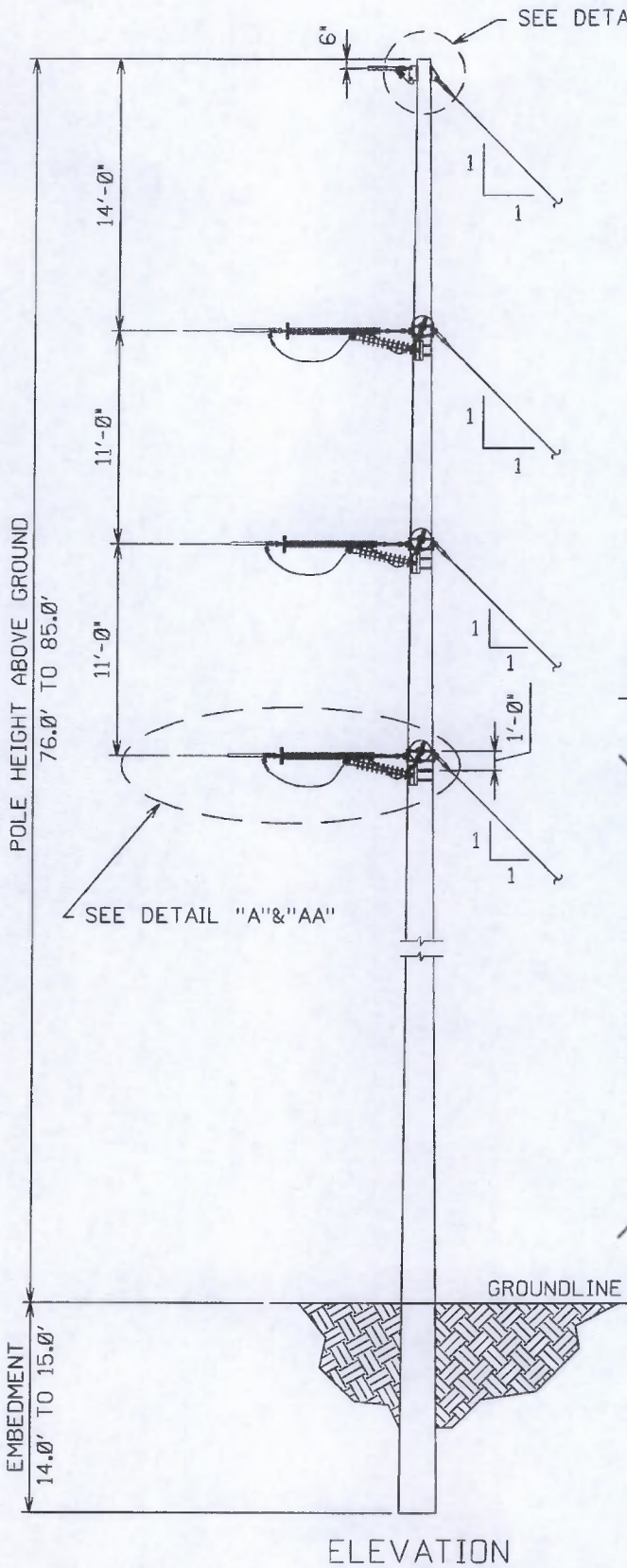
Ulteig

Bismack - Cedar Rapids - Denver - Detroit Lakes - Fargo - Minneapolis - Sioux Falls
3350 38th Ave S
Fargo, North Dakota 58104
Phone: 701.280.8500 Fax: 701.237.3191
Web: www.ulteig.com
Drawn By: MPE
Checked By: SPT
Approved By: SPT

OLIVER III
230kV T-LINE
STRUCTURE CONFIGURATION
LARGE ANGLE STRUCTURE
20°-30°
Project Number: 10,00121
Date Created: August 30, 2010
Sheets: 1 of 1
Dwg No: **LARGE ANG-1-PSC**

Revision	Date	Number	By
Preliminary	8/30/2010	A	UEI

PLAN NOTES OR GENERAL NOTES



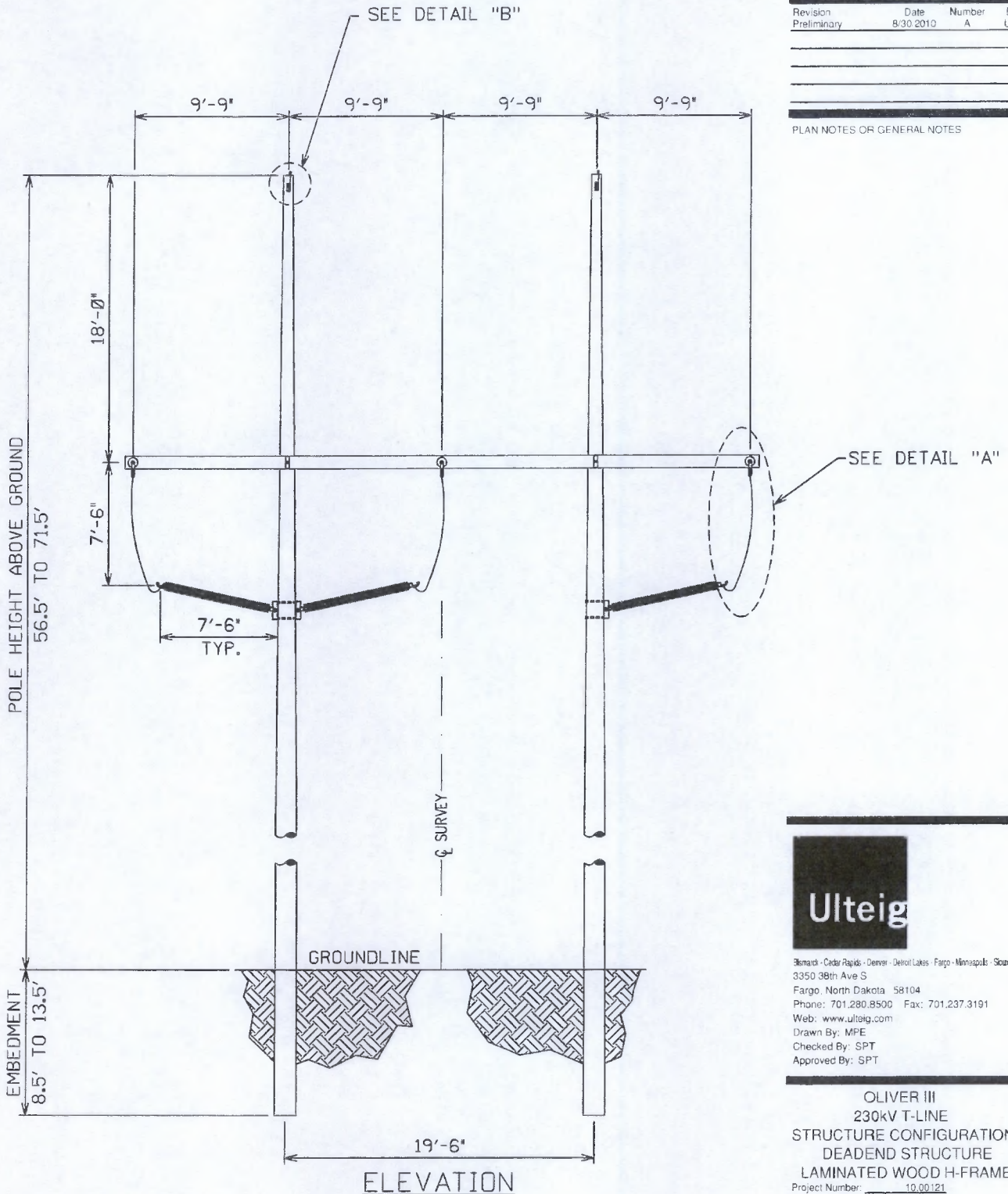
Ulteig

Bismarck - Cedar Rapids - Denver - Detroit Lakes - Fargo - Minneapolis - Sioux Falls
3350 38th Ave S
Fargo, North Dakota 58104
Phone: 701.280.8500 Fax: 701.237.3191
Web: www.ulteig.com
Drawn By: MPE
Checked By: SPT
Approved By: SPT

OLIVER III
230kV T-LINE
STRUCTURE CONFIGURATION
90 DEG. DE ANGLE
60°-90°
Project Number: 10,00121
Date Created: August 30, 2010
Sheets: 1 of 1
Dwg No: 90 DEG DE-PSC

Revision	Date	Number	By
Preliminary	8/30/2010	A	UEI

PLAN NOTES OR GENERAL NOTES

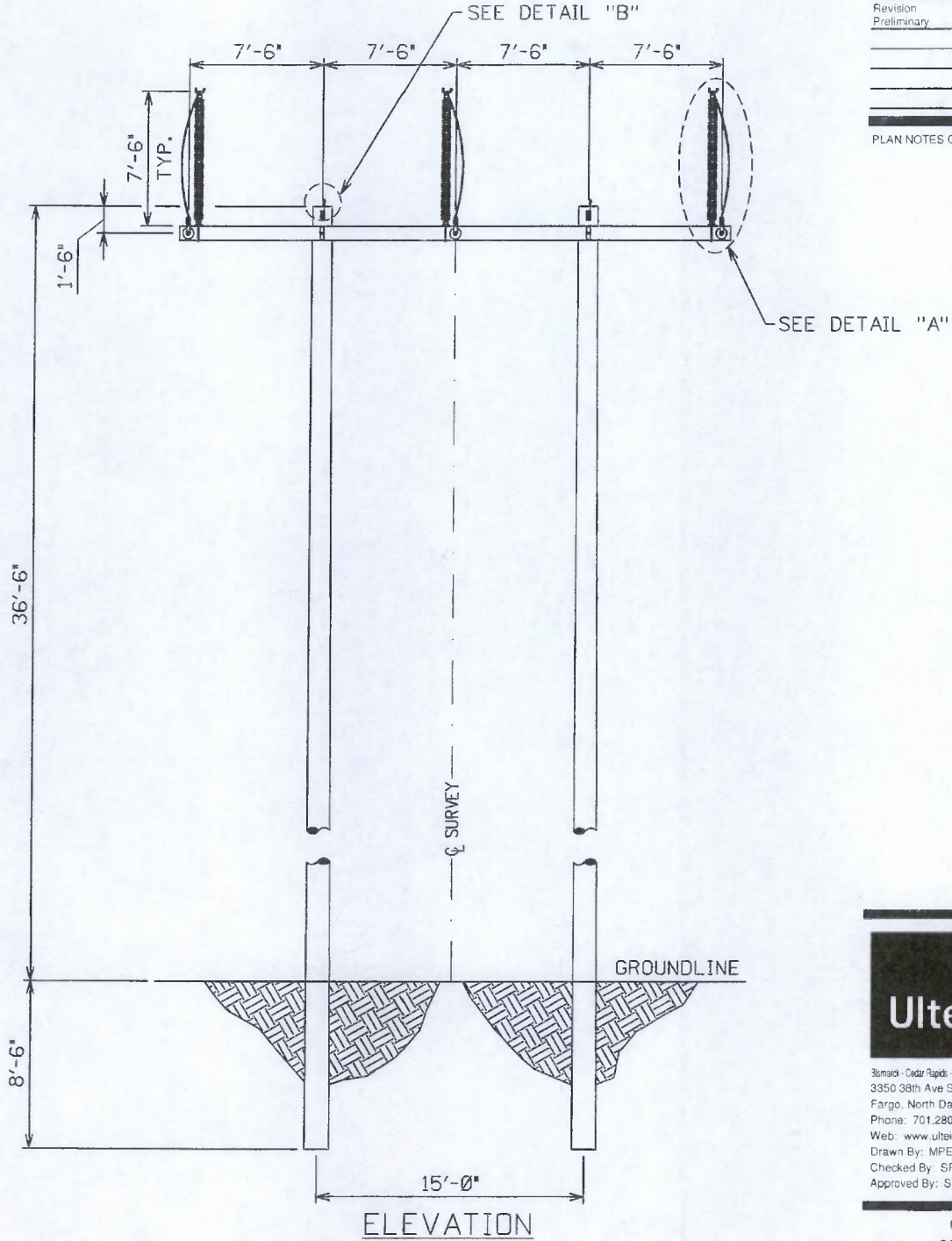


3600 Mack Center Road - Denver - Detroit Lakes - Fargo - Minneapolis - Sioux Falls
3350 38th Ave S
Fargo, North Dakota 58104
Phone: 701.280.8500 Fax: 701.237.3191
Web: www.ulteig.com
Drawn By: MFE
Checked By: SPT
Approved By: SPT

OLIVER III
230kV T-LINE
STRUCTURE CONFIGURATION
DEADEND STRUCTURE
LAMINATED WOOD H-FRAME
Project Number: 10.00121
Date Created: August 30, 2010
Sheets: 1 of 2
Dwg No: HF-DE-1-PSC

Revision	Date	Number	By
Preliminary	8/30/2010	A	UEI

PLAN NOTES OR GENERAL NOTES



Ulteig

3600 - Cedar Rapids - Denver - Detroit Lakes - Fargo - Minneapolis - Sioux Falls
3350 39th Ave S
Fargo, North Dakota 58104
Phone: 701.280.8500 Fax: 701.237.3191
Web: www.ulteig.com
Drawn By: MPE
Checked By: SPT
Approved By: SPT

OLIVER III
230kV T-LINE
STRUCTURE CONFIGURATION
DEADEND STRUCTURE
LAMINATED WOOD H-FRAME

Project Number: 10.09121

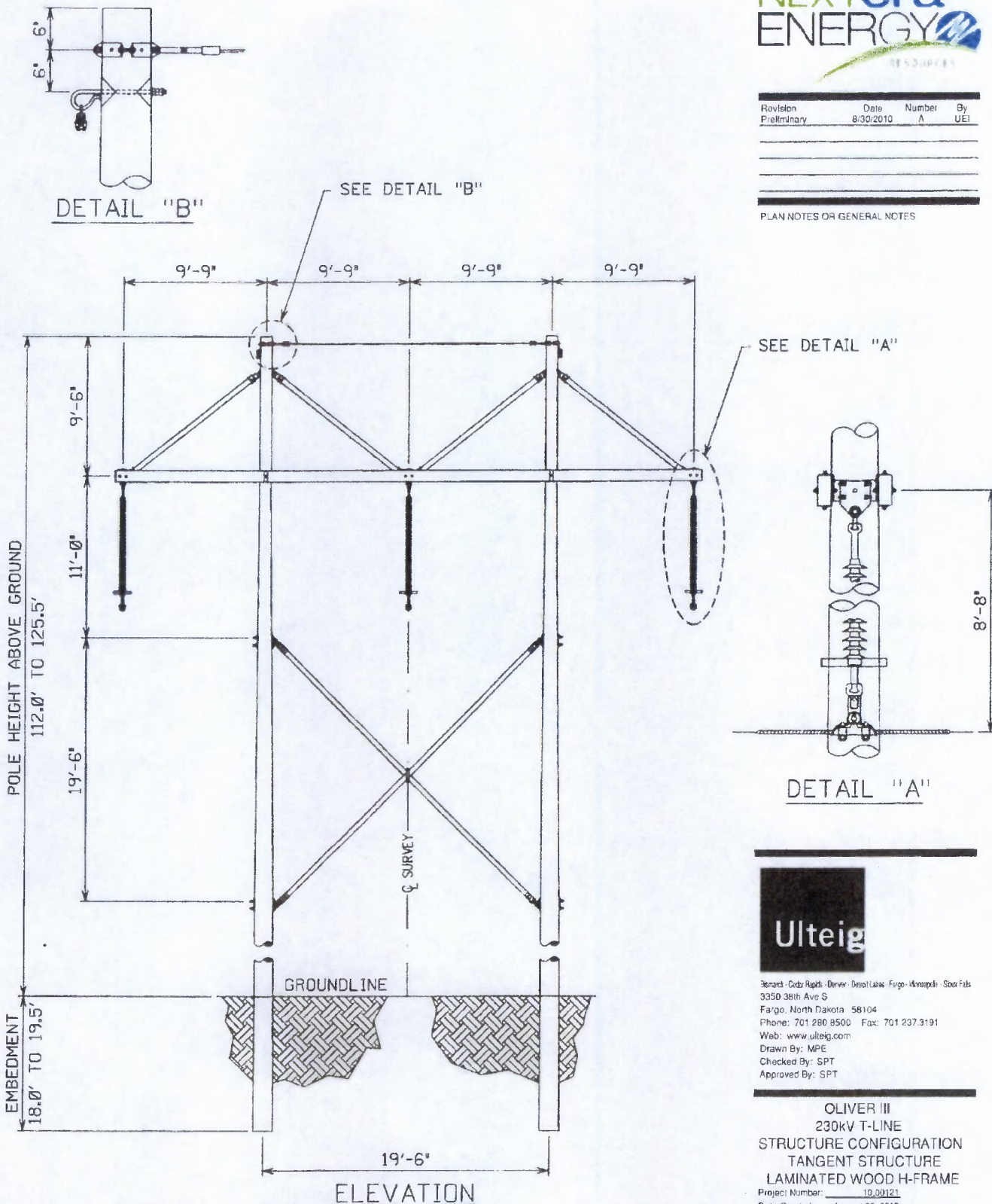
Date Created: August 30, 2010

Sheets: 1 of 2

Dwg No: HF-DE-2-PSC

Revision	Date	Number	By
Preliminary	8/30/2010	A	UEI

PLAN NOTES OR GENERAL NOTES



Ulteig

Minnetonka - Coon Rapids - Denver - Detroit Lakes - Fargo - Minneapolis - Sioux Falls
3350 38th Ave S
Fargo, North Dakota 58104
Phone: 701.286.8500 Fax: 701.237.3191
Web: www.ulteig.com
Drawn By: MPE
Checked By: SPT
Approved By: SPT

OLIVER III
230KV T-LINE
STRUCTURE CONFIGURATION
TANGENT STRUCTURE
LAMINATED WOOD H-FRAME

Project Number: 10.00121
Date Created: August 30, 2010
Sheets: 1 of 1
Dwg No: HF TAN A-PSC