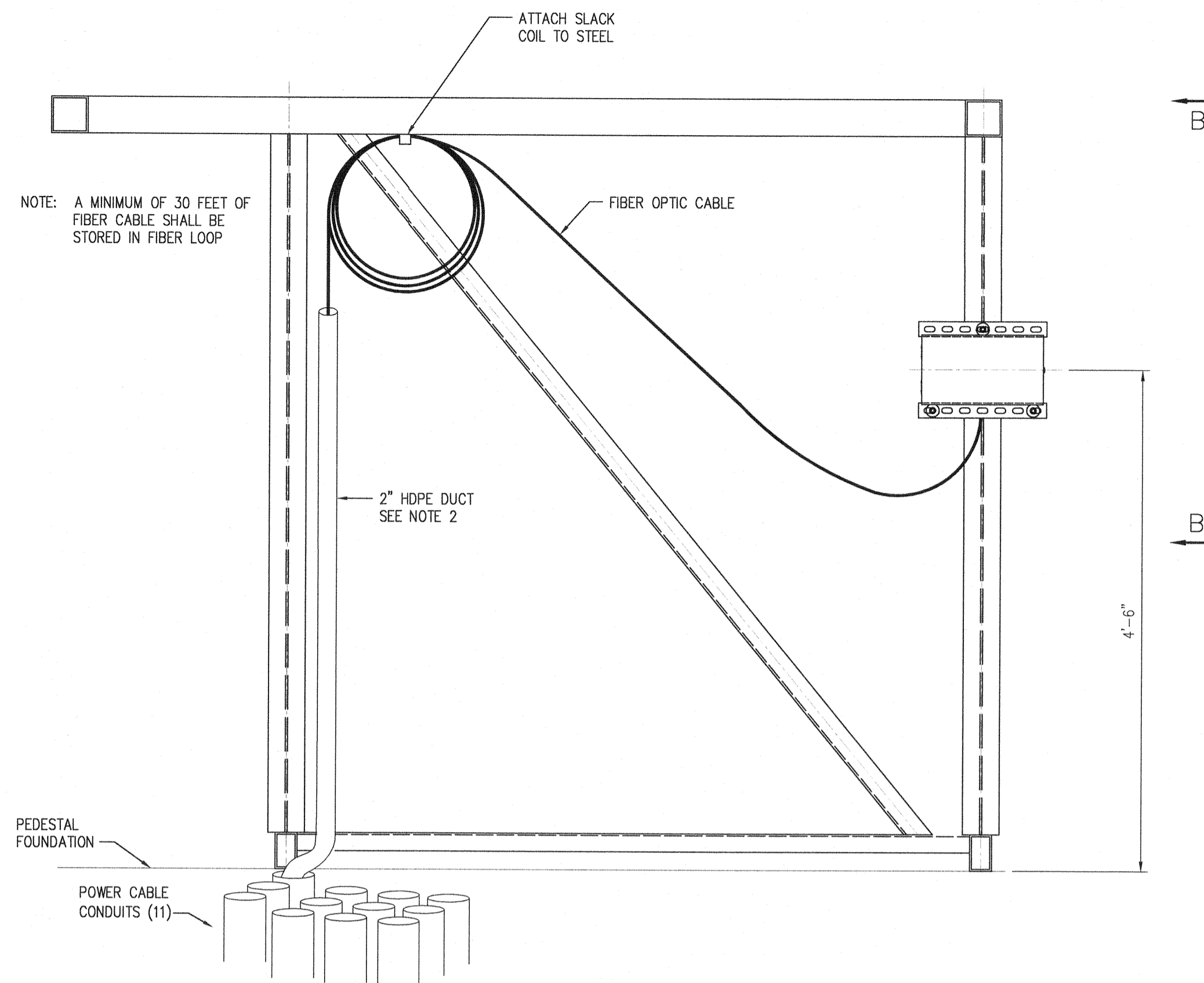
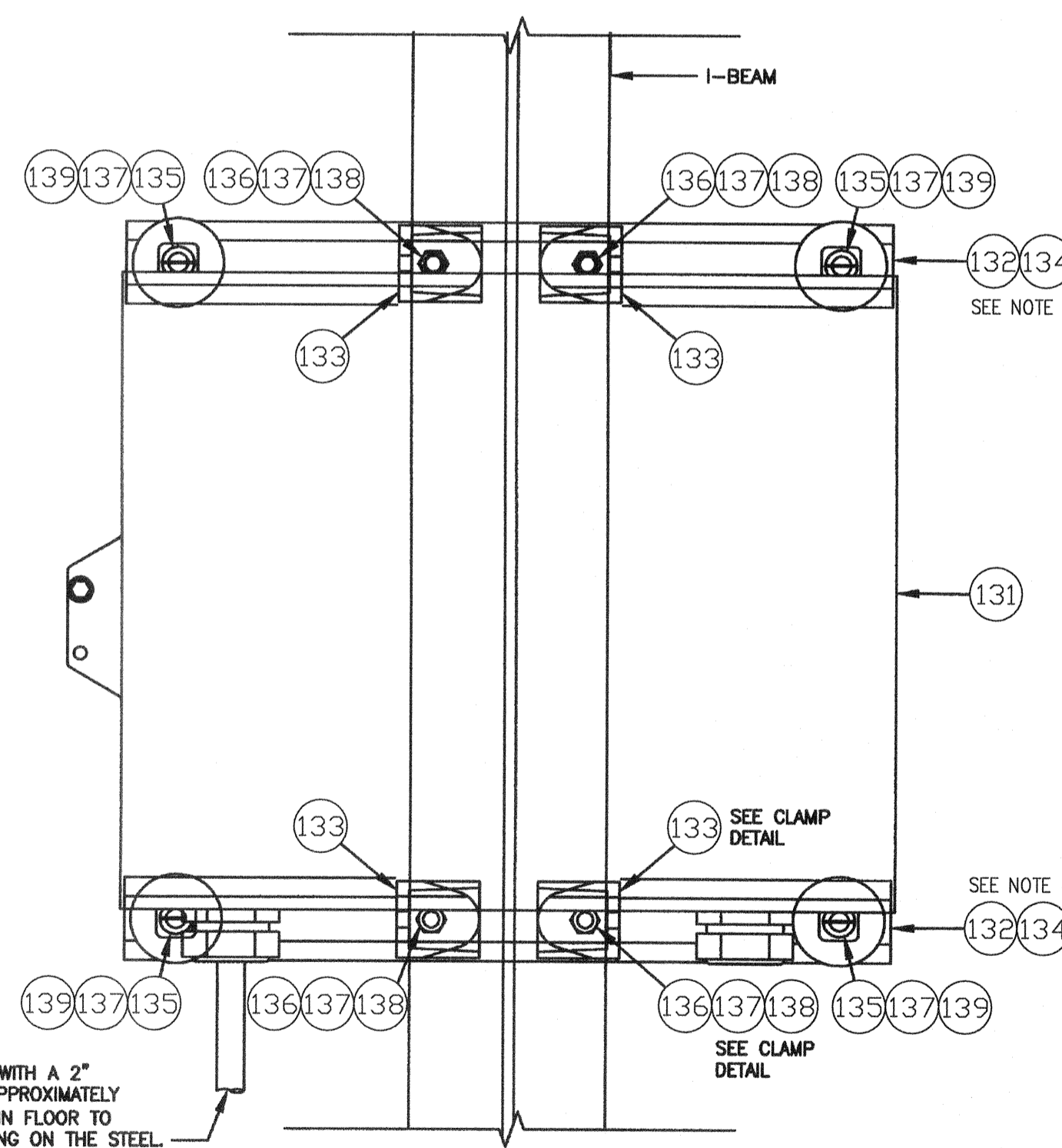


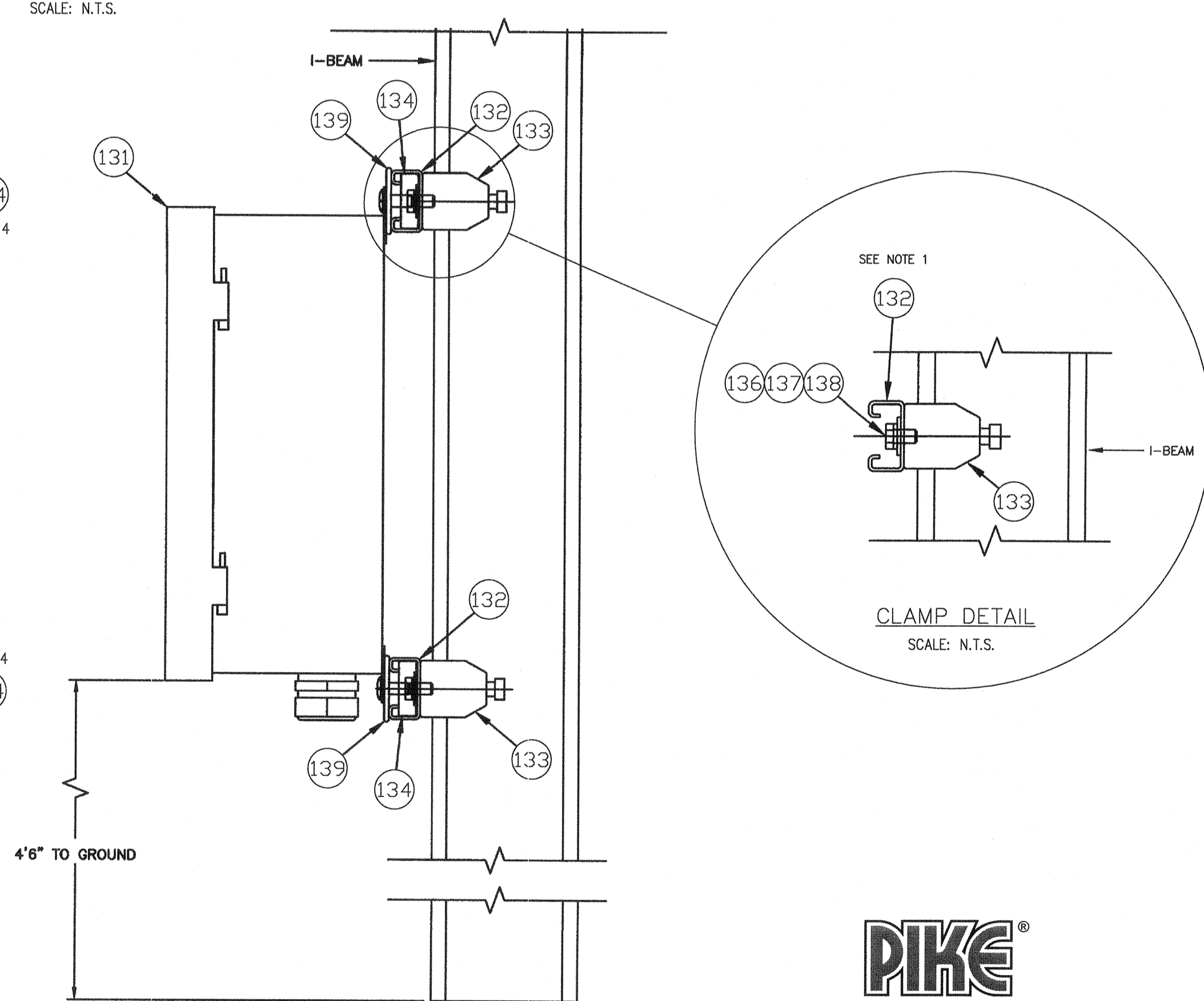
PLAN VIEW
SCALE: N.T.S.



SECTION A-A
SCALE: N.T.S.



ELEVATION
SCALE: N.T.S.



SECTION B-B
SCALE: N.T.S.

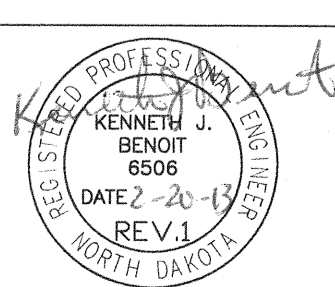
BILL OF MATERIALS - FIBER OPTIC PANEL					
ITEM	QUANTITY	UNIT	DESCRIPTION	MANUFACTURER	CATALOG
131	1	EA	OUTDOOR WALLBOX ASSEMBLY, TYPE FDS 24	CLEARFIELD	WDZ-024-A1F-ZZZ
132	2	EA	UNISTRUT X 15"	POWERSTRUT	PS-500
133	4	EA	BEAM CLAMP, TYPE 501	WESTCO	78599150954
134	4	EA	UNISTRUT CLAMPING NUT	POWERSTRUT	PS-SS
135	4	EA	5/16" X 3/4" ROUND HEAD MACHINE SCREW, TYPE 31161504	FASTENAL	27737
136	4	EA	5/16" X 1/2" HEX HEAD BOLT, TYPE 31161561	FASTENAL	13051
137	8	EA	5/16" LOCK WASHERS, TYPE 31161801	FASTENAL	33620
138	4	EA	1/16" FLAT WASHER, TYPE 31161800	FASTENAL	33216
139	4	EA	5/16" X 1-3/4" X 1/8" FENDER WASHER, TYPE 31161807	FASTENAL	33086

NOTES:

- EACH PAIR OF FIBER STRAND CONNECTORS SHOULD BE LABELED. AN ADDITIONAL LABEL INDICATING THE OUTBOUND DESTINATION ASSIGNMENT MUST BE PROVIDED IN THE ENCLOSURE. SEE FIBER DRAWING E-FL-10, E-FL-11, E-FL-12, E-FL-13, E-FL-14, E-FL-15.
- TERMINATE AND CLOSE END AT TRACER WIRE WITH SHRINK TUBE. PUSH TRACER WIRE INTO HDPE DUCT.
- PANEL TO BE LABELED ACCORDING TO SIEMENS SPECIFICATION.
- FIELD DRILL 3/8" INCH DIA. MOUNTING HOLES IN UNISTRUT AS NEEDED.

PIKE
ENERGY SOLUTIONS
PIKE ENERGY SOLUTIONS, LLC.
10101 Claude Freeman Drive, Suite 100W
Charlotte, NC 28262
ND License No. 954PE

NO.	BY	CHK.	APP.	DATE	REVISION DESCRIPTION
A	RJG	CSF	CSF	7/1/11	90% DELIVERABLE
B	RJG	CSF	CSF	7/8/11	REVISED PER CLIENT COMMENTS
C	BNK	RJG	CSF	7/21/11	REVISED PER CLIENTS COMMENTS
O	BNK	RJG	CSF	8/4/11	ISSUED FOR CONSTRUCTION
1	NJG			11/16/12	CONSTRUCTION REVISIONS

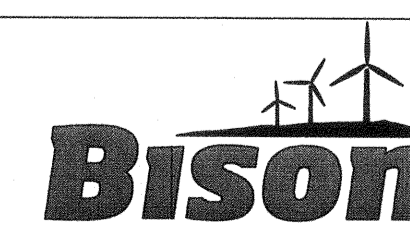


CLIENT	7/1/11/7/8/11/7/21/11/8/4/11
BID	
CONSTRUCTION	
PERMITTING	
RELEASED TO/FOR	A B C O 1 2 3
DATE RELEASED	

BARR
Project Office:
BARR ENGINEERING CO.
4700 WEST 77TH STREET
MINNEAPOLIS, MN.
55435-4803
Corporate Headquarters:
Minneapolis, Minnesota
Ph: 1-800-632-2277

Ph: 1-800-632-2277
Fax: (952) 832-2601
www.barr.com

Scale	N.T.S.
Date	07/01/11
Drawn	RJG
Checked	CEG
Designed	RJG
Approved	JLM



BISON 2 WIND PROJECT
MORTON & OLIVER COUNTIES, NORTH DAKOTA
COLLECTOR SYSTEM
FIBER OPTIC PANEL DETAIL

BARR PROJECT No.	34/33-1007
CLIENT PROJECT No.	
DWG. No.	E-FD-01
REV. No.	1