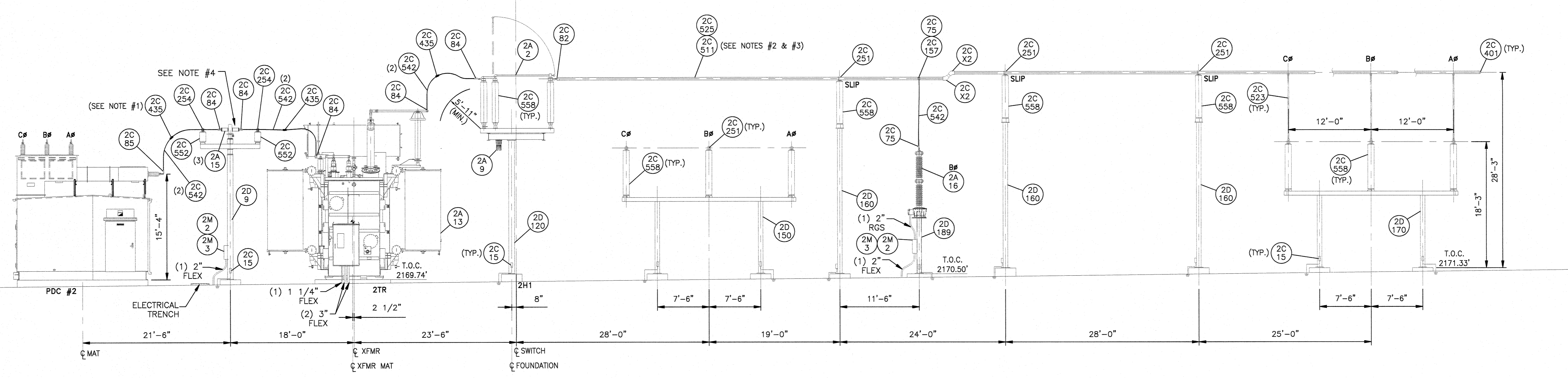
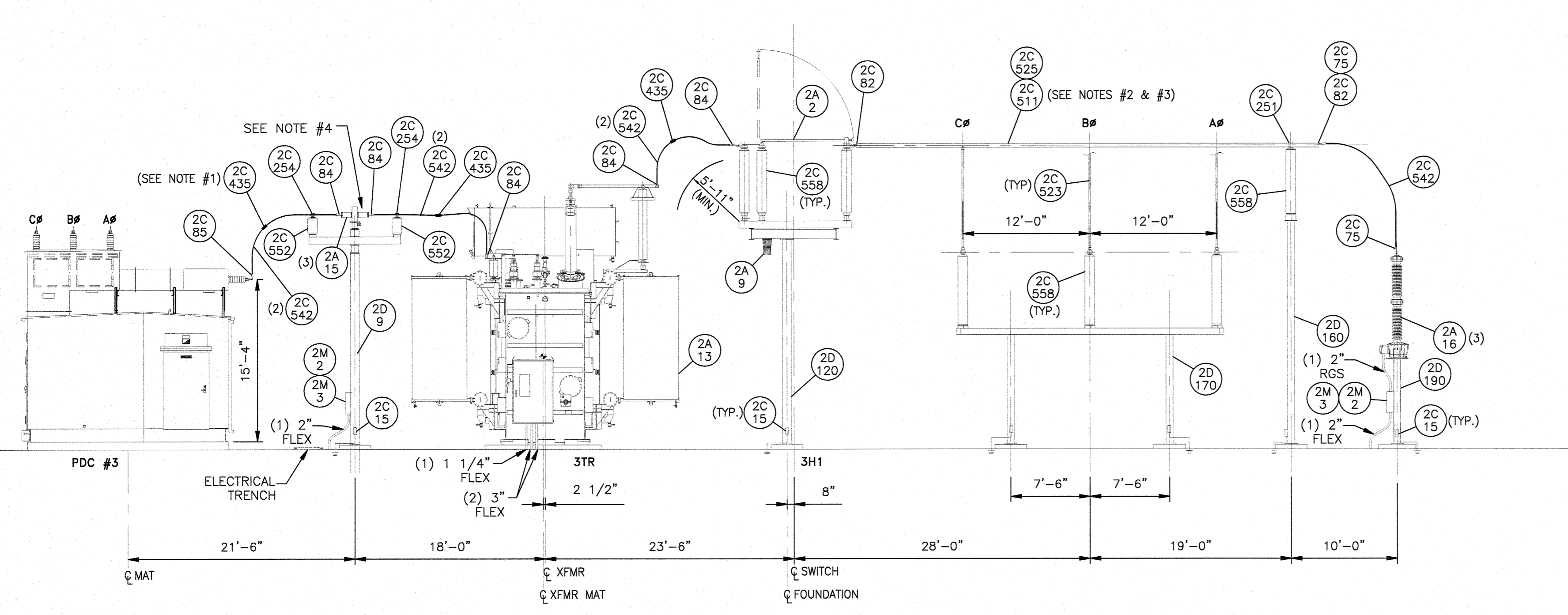


SECTION G-G

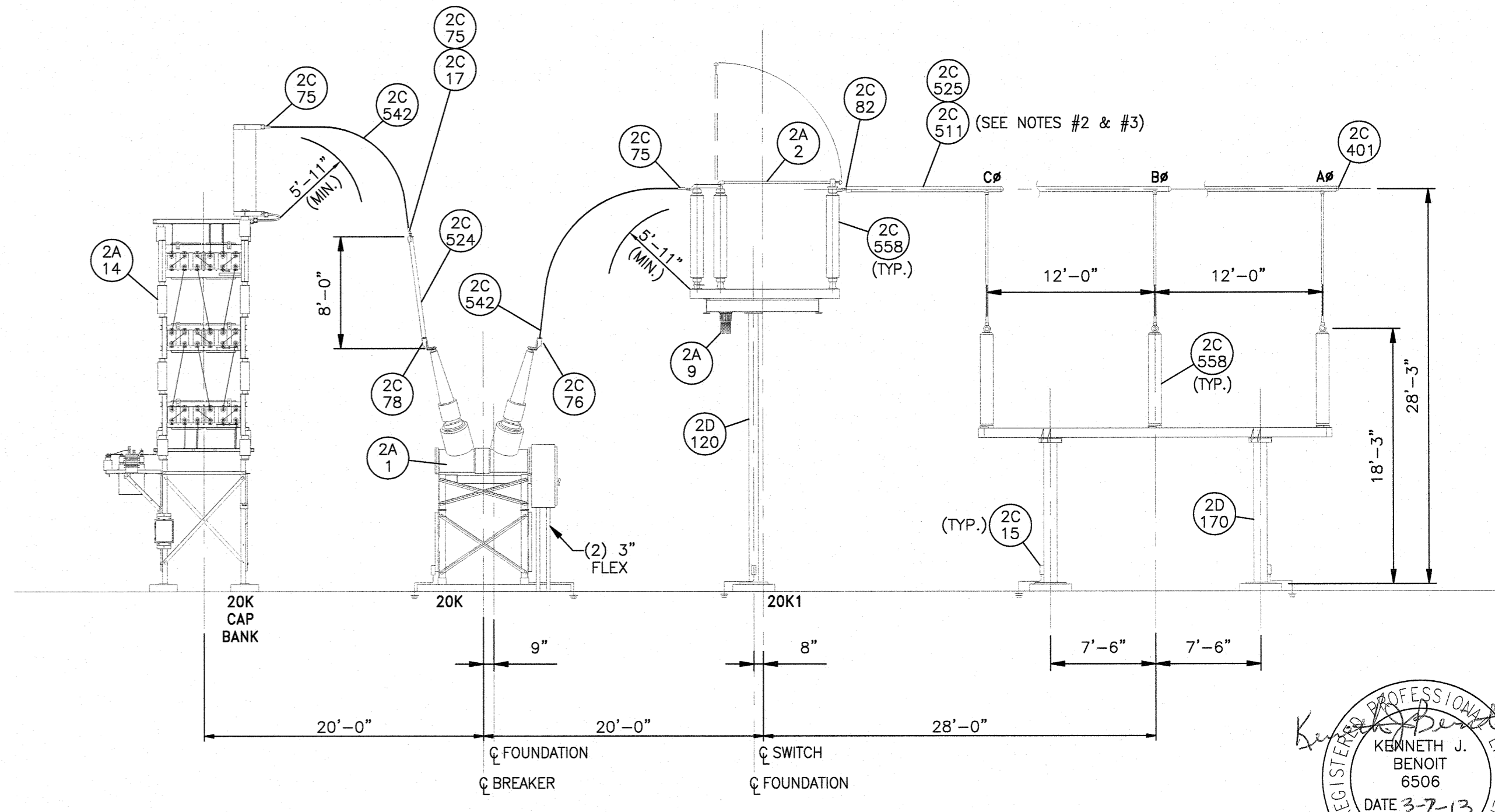
- GENERAL NOTES:**
- USE CABLE SPACERS FOR 1590 MCM AAC/ACSR CONDUCTORS EVERY 5'.
 - INSTALL 336 KCMIL ACSR DAMPER WIRE IN 4" ALUMINUM BUS.
 - INSTALL CAMBER ON 4" ALUMINUM BUS.
 - FIELD TO OBSERVE POLARITY OF METERING CT'S. H1 TERMINAL SHALL BE INSTALLED TOWARDS TRANSFORMER 2TR & 3TR.



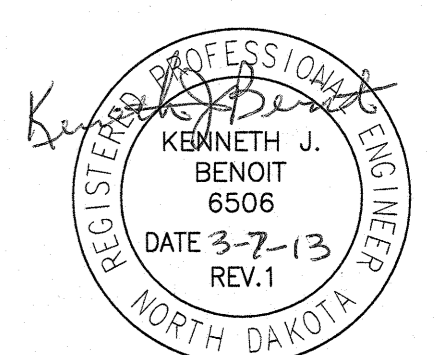
SECTION H-H



SECTION J-J



SECTION K-K



NO.	DATE	REVISION DESCRIPTION	BY	APPROVED	NO.	DATE	REVISION DESCRIPTION	BY	APPROVED
1	3-4-13	CONSTRUCTION REVISIONS	NJC	[Signature]	0	03-08-12	ISSUED FOR CONSTRUCTION	NTC/B&V	CLN/B&V

BLACK & VEATCH
CORPORATION
I HEREBY CERTIFY THAT THIS DOCUMENT WAS PREPARED BY ME OR UNDER MY DIRECT SUPERVISION AND THAT I AM A DULY REGISTERED PROFESSIONAL ENGINEER UNDER THE LAWS OF THE STATE OF NORTH DAKOTA.
SIGNED: [Signature] DATE: 03-08-12
DRAWN: [Signature] DATE: 03-08-12
SCALE: AS SHOWN
SHEET NO. 6478

minnesota power
BISON WIND GENERATING FACILITY
NEW SALEM, ND

BISON 230KV SUBSTATION
ELECTRICAL PLAN & ELEVATIONS
SECTIONS G-G, H-H J-J & K-K

SHEET 5 REV. 1
ME-32815-17