

**PUBLIC DOCUMENT - TRADE SECRET - PRIVATE
DATA HAS BEEN EXCISED**

ATTACHMENT 5

BIG STONE PLANT AQCS PROJECT COST ESTIMATE

**Docket No.
PU-11-163/ PU-11-165
OTP/MDU-106**

Optimizations and Basis

Big Stone Plant AQCS Project Summary of Cost Optimizations

[TRADE SECRET DATA BEGINS

Item	Description	Dry FGD	SCR
1	ACI costs to be deferred and separated out from the dry FGD estimate. Separate ACI estimate prepared.	X	
2	Water treating costs to be deferred and separated out from the dry FGD estimate. Separate water treating estimate prepared.	X	
3	Scraper building size reduced by []	X	
4	[] new scrapers deleted from dry FGD estimate	X	
5	New baghouse compressors deleted from dry FGD estimate. Plan to re-use existing compressors.	X	
6	Scale back SCR enclosure to only enclose soot blower level.		X
7	Scale back boiler modifications to only replace the smaller primary bank and not the larger primary bank.		X
8	Reduced boiler steel modifications for the SCR from [] tons to [] tons.		X
9	Reduced installation manhours required for duct and SCR from [] manhours/ton to [] manhours/ton.	X	X
10	Optimized overtime and per diem from [] hr days to [] hr days due to high unemployment rate.	X	X
11	Scaled back freight costs on equipment especially in regards to subcontract for boiler modifications.		X
12	Scaled back scaffolding costs from [] % to [] % (i.e. [] to []).	X	X
13	Optimized crane rental operator manhours due to reduction in overtime.	X	X
14	Scaled back [] % excise tax on equipment, structural steel, and ductwork.	X	X

TRADE SECRET DATA ENDS]

Sargent & Lundy^{INC}

Otter Tail
Big Stone Station Unit 1
SO₂, NO_x and Mercury Reduction Strategies

09/24/10

BASIS OF COST ESTIMATE

Project No.: 12715-001
Estimate & Rev. No.: 30859A (DFGD) and 30866A (SCR)
Preparer: RCK / MNO

General Information

[TRADE SECRET DATA BEGINS

Type of estimate – Conceptual with +/- % cost estimate accuracy.
Project location – Milbank, South Dakota
MW rating of Unit 1: 495 MW Gross
Unit of measurement in cost estimate –
Currency –
Unique site issues – None.
Contracting strategy –

TRADE SECRET DATA ENDS]

Scope: These cost estimates are for the installation of one new Dry Flue Gas Desulphurization (DFGD) System with Fabric Filter (Baghouse) and Activated Carbon Injection System (Estimate 30859A) and a Selective Catalytic Reduction (SCR) System (Estimate 30866A).

[TRADE SECRET DATA BEGINS

The DFGD System consists of spray dryer absorber towers. The existing baghouse structure will be abandoned/removed with new % Baghouses constructed with ductwork modifications as required. The existing ID Fans will be removed and replaced with new centrifugal ID fans and variable frequency drives. A Reagent Preparation System, a Recycle System, and a Solid Waste Handling System will be installed. An Activated Carbon Injection System (ACI) will be installed for mercury reduction. Other auxiliary systems include service water system and piping, auxiliary power and power distribution for the equipment and civil improvements and other improvements as required.

An SCR system will be installed with new reactors. SCR installation will require extensive boiler work including reheater, primary superheater, economizer modifications, a new Separated Overfire Air System and sootblower additions. An Anhydrous Ammonia System will be added along with other necessary equipment to support system operation.

TRADE SECRET DATA ENDS]

Sargent & Lundy

Otter Tail
Big Stone Station Unit 1
SO₂, NO_x and Mercury Reduction Strategies

09/24/10

Construction [TRADE SECRET DATA BEGINS

Labor profile -

Labor wage rate selected for the estimate - rates for Sioux Falls, South Dakota. Base craft rates are as published in RS Means Labor Rates for the Construction Industry, Edition. The craft rates are then incorporated into work crews appropriate for the activities by adding allowances for small tools, construction equipment, insurance, and site overheads to arrive at crew rates detailed in the cost estimate. A regional labor productivity multiplier is included based on the Compass International Global Construction Yearbook.

Labor Work Schedule and Incentives - Assumed work week. Allowances have been made for the pre-outage and outage related work, which may require work week (). It is assumed that % of total labor hours shown in the cost estimate will be expended during the pre-outage work and the remaining % during the outage. All labor hours are subject to \$ /hr per diem subsistence as labor incentives to attract skilled labor to job site.

Procurements – Cost Basis

Budgetary vendor pricing was obtained for the DFGD system, the Solid Waste Handling System, Water Treatment System and the Anhydrous Ammonia System. Steel silo pricing, pumps, power transformers and other small equipment pricing are recent for similar size equipment (within last months).

S&L database pricing was used for all commodity based materials, such as piping, concrete, instrumentation and wiring.

No actual procurement at this phase of the project.

Project Indirect Costs

Heavy Construction Equipment: will be shown as a cost with separate freight, assembly and teardown costs and full time crane operator and oiler for the duration of crane usage.

Mobilization / Demobilization: included in labor wage rates unless multiple mobilization / demobilization is needed.

Scaffolding: % of total material and labor costs

Consumables: % of total material and labor cost

Allowance for Overtime: Included at times the base rate + taxes + insurance for pre-outage and outage work.

TRADE SECRET DATA ENDS]

Sargent & Lundy

Otter Tail
Big Stone Station Unit 1
SO₂, NO_x and Mercury Reduction Strategies

09/24/10

[TRADE SECRET DATA BEGINS

Freight: % of total equipment and material cost.

Sales Tax: % sales tax has been applied on equipment, material and labor, plus % excise tax on contractor's gross receipts. It is assumed that excise tax is not applicable to Engineering, Construction Management, Start-up & Commissioning and Owner's Costs. Therefore, only % sales tax has been applied to these items.

Contractor's G&A and Profit: G&A at % and Profit at % of total material and labor costs

Engineering: % of total direct cost

Construction Management: % of total direct cost

Start-up & Commissioning: % of total direct cost

Start-up Spare Parts: Included at % of equipment cost for the SCR and at % of equipment cost for the DFGD.

Owner's Cost: cost is provided by OTP and included in the DFGD estimate for both the DFGD and the SCR Projects.

Excess Liability Insurance: At % of total direct cost.

Interest During Construction (Allowed for Funds During Construction): By OTP.

Escalation

Included at %/yr of equipment, material, labor and indirect costs starting from until

Contingency

We recommend that % be used as the project contingency value at this time. The basis for that is as follows:

- Less than % of the engineering required to design this facility has been completed to date.
- Vendor quotes were received for less than of the equipment and material costs.
- We had an independent estimate performed by for the construction costs and their results did not match our estimate but were close enough to confirm that the estimate (before contingency) is reasonable.
- The project itself is fairly similar to our completed projects other than the support of the SCR and the demolition of the existing baghouses.
- The costs of SCR's are very sensitive to the physical aspects of each project and can be difficult to predict until more of the detailed design is completed. Our data indicates that a contingency of % will cover those variations.

TRADE SECRET DATA ENDS]

Sargent & Lundy

Otter Tail
Big Stone Station Unit 1
SO₂, NO_x and Mercury Reduction Strategies

09/24/10

[TRADE SECRET DATA BEGINS]

- The market is currently stable but has been very sensitive to governmental influences in the recent past. If pending regulatory decisions are made in a way that will cause a large number of utilities to begin projects similar to this in the same timeframe, % contingency may not be enough. Sudden changes such as those are best dealt with once the impact of regulatory changes can be quantified and should be outside of our recommended value.

TRADE SECRET DATA ENDS]

Scope Excluded or By Others

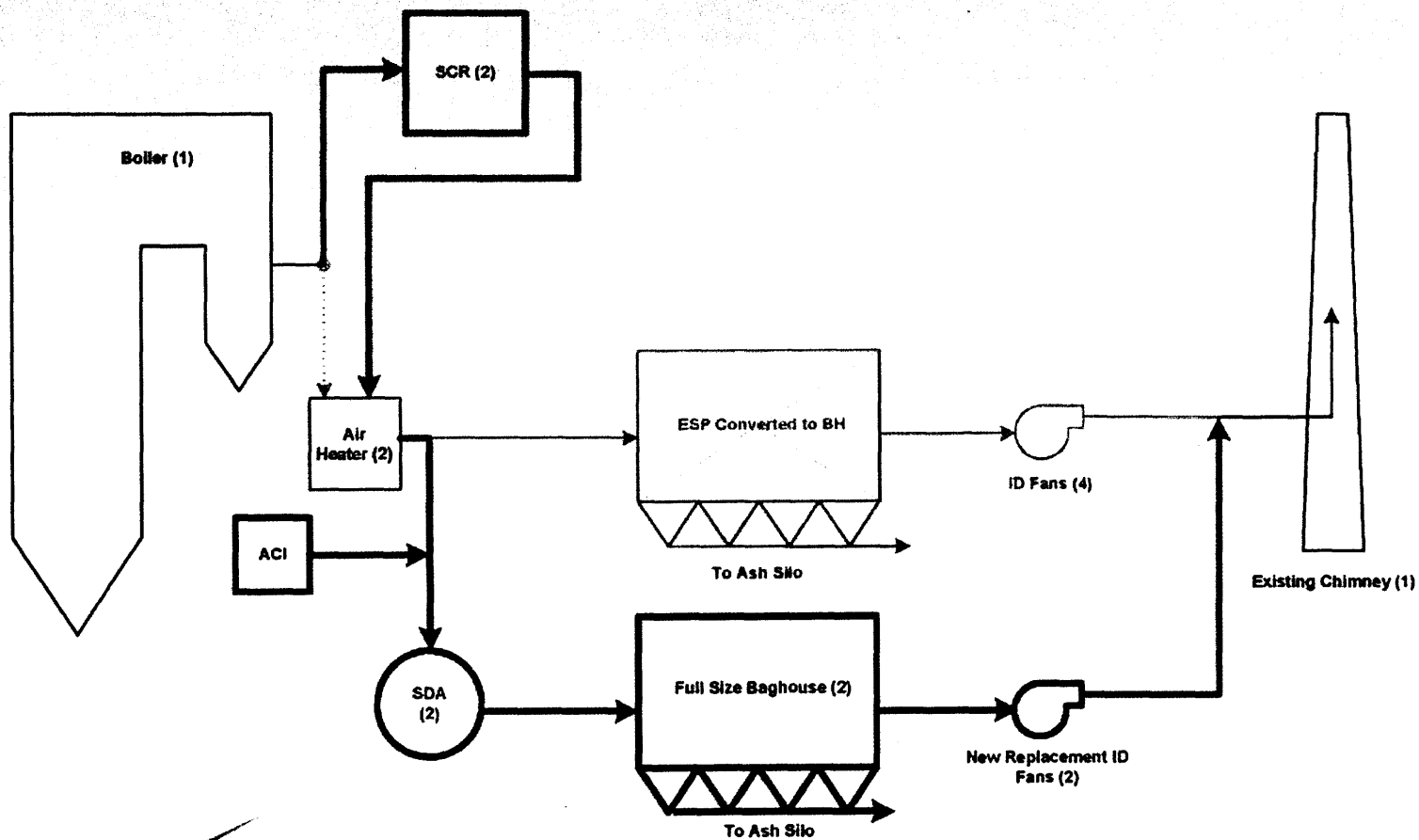
In order to establish the overall project costs, the following items must also be accounted for by OTP:

- Off-site construction road improvements, if any
- Soil remediation, if required
- Fuel costs during startup operations
- Initial fills for chemical agents and reactants (excluding the catalyst).

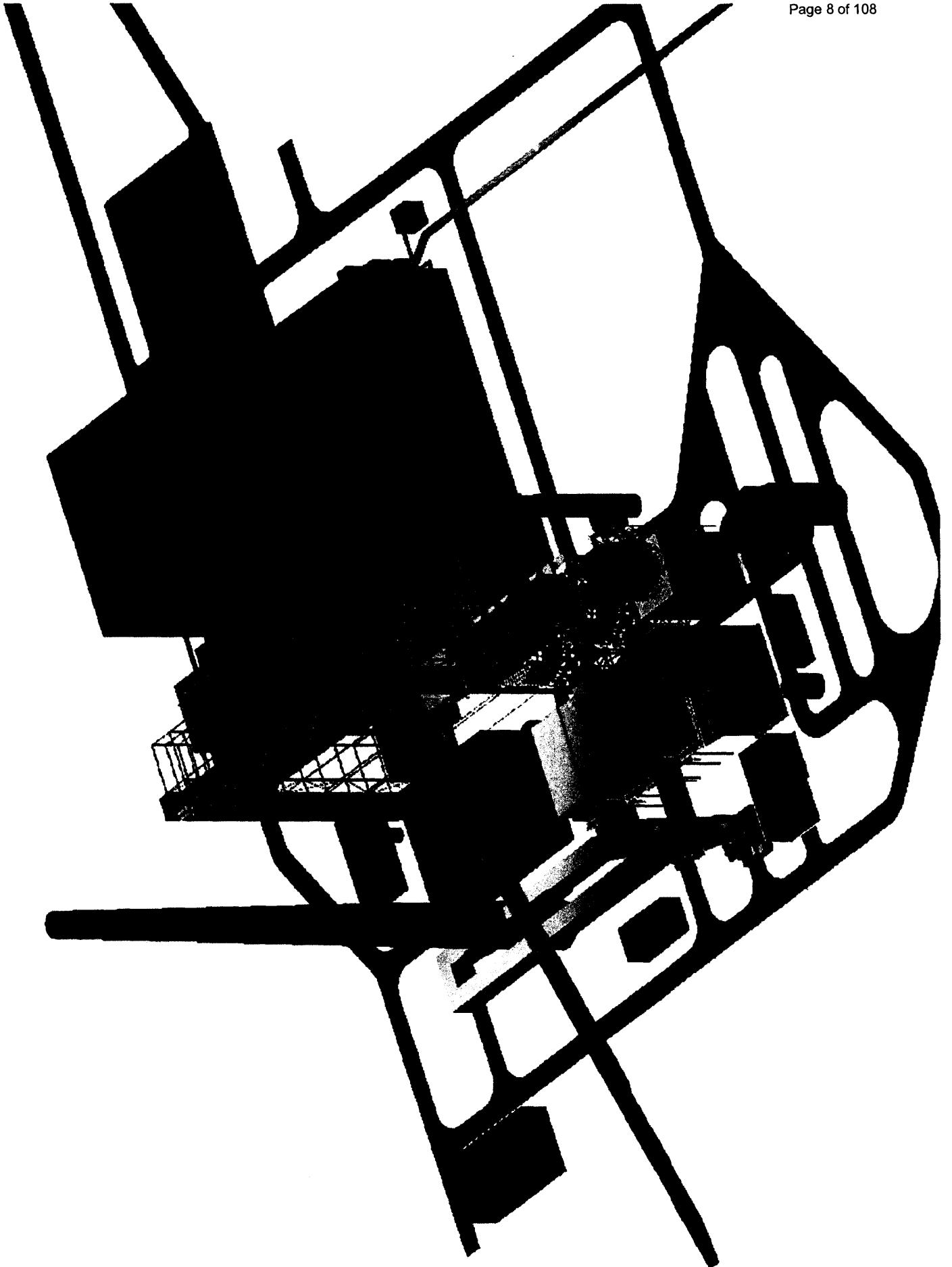
Assumptions / Clarifications

- Each cost estimate is based on the scope and general arrangements for the structures, equipment and system as described in the technical sections of the report.
- [TRADE SECRET DATA BEGINS
TRADE SECRET DATA ENDS]
- It is assumed that no part of this project requires handling, treating or disposing of any hazardous waste or materials such as asbestos, arsenic or lead. Any hazardous material will be handled by OTP.
- The Mechanical and Electrical Balance of Plant sections included in the DFGD cost estimate account for all of the mechanical and electrical costs associated with the project in lieu of splitting scope within each area. Similarly, the Electrical Balance of Plant section of the DFGD cost estimate accounts for all of the cable, raceway costs associated with the project.
- Start up spare parts is included in the cost estimate as indirect costs.

Conceptual Design Process Flow

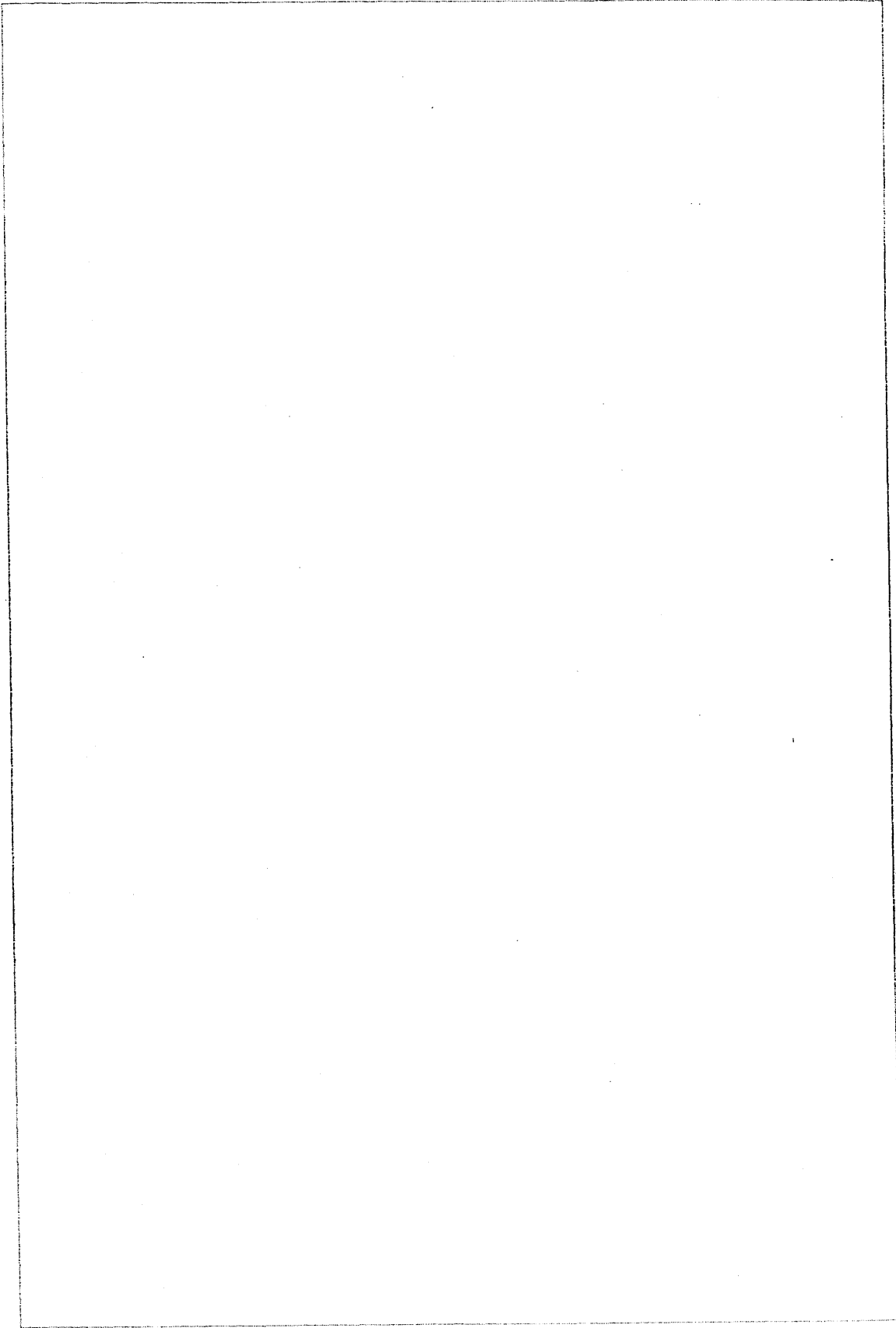


PUBLIC DOCUMENT - TRADE SECRET - PRIVATE DATA HAS BEEN EXCISED



Cash Flow

[TRADE SECRET DATA BEGINS



TRADE SECRET DATA ENDS]

Big Stone AQCS Project

Cash Flows for November 2010 Cost Estimate

[TRADE SECRET DATA BEGINS

	Quarterly Totals	Cumulative Totals	Yearly Totals
1Q2011	\$		
2Q2011	\$		
3Q2011	\$		
4Q2011	\$		
1Q2012	\$		
2Q2012	\$		
3Q2012	\$		
4Q2012	\$		
1Q2013	\$		
2Q2013	\$		
3Q2013	\$		
4Q2013	\$		
1Q2014	\$		
2Q2014	\$		
3Q2014	\$		
4Q2014	\$		
1Q2015	\$		
2Q2015	\$		
3Q2015	\$		
4Q2015	\$		
1Q2016	\$		
	\$ 489,397,400		\$ 489,397,400

]TRADE SECRET DATA ENDS]

SCR Estimate

ESTIMATE NO. : 30666B
 PROJECT NO. : 12715.031
 ISSUE DATE : 10/29/2010
 PREP/REV : JAE / ANO
 APPROVED : BJD

OTTER TAIL
 BIG STONE STATION
 SCR
 CONCEPTUAL COST ESTIMATE

[TRADE SECRET DATA BEGINS

CODE OF ACCOUNT	DESCRIPTION A	EQUIPMENT COST	MATERIAL COST	LABOR COST	TOTAL COST
A	SCR				
A-21	CIVIL WORK				
A-21-17 Total	EARTHWORK, BACKFILL				
A-21-23 Total	EARTHWORK, EXCAVATION				
A-21-51 Total	MISCELLANEOUS				
A-21 Total	CIVIL WORK				
A-22	CONCRETE				
A-22-13 Total	CONCRETE				
A-22-15 Total	EMBEDMENT				
A-22-17 Total	FORMWORK				
A-22-21 Total	MISCELLANEOUS				
A-22-25 Total	REINFORCING				
A-22 Total	CONCRETE				
A-23	STEEL				
A-23-15 Total	DUCTWORK				
A-23-17 Total	GALLERY				
A-23-23 Total	MISCELLANEOUS				
A-23-25 Total	ROLLED SHAPE - STRUCTURAL STEEL				
A-23 Total	STEEL				
A-24	ARCHITECTURAL				
A-24-15 Total	DOOR				
A-24-37 Total	ROOFING				
A-24-41 Total	SIDING				
A-24-42 Total	PLATFORM FLOORING				
A-24 Total	ARCHITECTURAL				
A-25	STACK				
A-25-15 Total	STEEL STACK				
A-25 Total	STACK				
A-31	MECHANICAL EQUIPMENT				
A-31-13 Total	BOILER AND AIR HEATER MODIFICATIONS				
A-31-14 Total	SEPARATED OVERFIRE AIR (SOFA) SYSTEM - OPTION 2				
A-31-15 Total	BOILER COMPONENTS				
A-31-25 Total	CRANES AND HOISTS				
A-31-33 Total	EXPANSION JOINT				
A-31-53 Total	FLUE GAS CLEANUP				
A-31-73 Total	MISCELLANEOUS EQUIPMENT				
A-31-77 Total	SCREEN				
A-31-98 Total	TESTING				
A-31 Total	MECHANICAL EQUIPMENT				
A-35	PIPING				
A-35-13 Total	LARGE BORE PIPING				
A-35-15 Total	SMALL BORE PIPING				
A-35 Total	PIPING				

TRADE SECRET DATA ENDS]

ESTIMATE NO. : 30885B
 PROJECT NO. : 12715.001
 ISSUE DATE : 10/29/2010
 PREP/REV : JAE / MNO
 APPROVED : BJD

OTTER TAIL
 BIG STONE STATION
 SCR
 CONCEPTUAL COST ESTIMATE

[TRADE SECRET DATA BEGINS

CODE OF ACCOUNT	DESCRIPTION A	EQUIPMENT COST	MATERIAL COST	LABOR COST	TOTAL COST
A-36	INSULATION				
A-36-13 Total	INSULATION, DUCT & EQUIPMENT				
A-36 Total	INSULATION				
A-41	ELECTRICAL EQUIPMENT				
A-41-17 Total	COMMUNICATION SYSTEM				
A-41-37 Total	LIGHTING ACCESSORY (FIXTURE)				
A-41-31 Total	GROUNDING				
A-41-35 Total	LIGHTNING PROTECTION				
A-41-41 Total	MISCELLANEOUS				
A-41-57 Total	WIRING DEVICE				
A-41 Total	ELECTRICAL EQUIPMENT				
A-42	RACEWAY, CABLE TRAY, & CONDUIT				
A-42-13 Total	CABLE TRAY				
A-42-15 Total	CONDUIT				
A-42 Total	RACEWAY, CABLE TRAY, & CONDUIT				
A-43	CABLE				
A-43-13 Total	CONTROL & INSTRUMENT CABLE				
A-43-17 Total	LOW VOLTAGE POWER CABLE & TERMINATION				
A-43 Total	CABLE				
A-44	CONTROL & INSTRUMENTATION				
A-44-21 Total	INSTRUMENT				
A-44 Total	CONTROL & INSTRUMENTATION				
A Total	SCR				
B	ANHYDROUS AMMONIA STORAGE/DELIVERY SYSTEM				
B-21	CIVIL WORK				
B-21-17 Total	EARTHWORK, BACKFILL				
B-21-23 Total	EARTHWORK, EXCAVATION				
B-21 Total	CIVIL WORK				
B-22	CONCRETE				
B-22-13 Total	CONCRETE				
B-22-15 Total	EMBEDMENT				
B-22-17 Total	FORMWORK				
B-22-25 Total	REINFORCING				
B-22 Total	CONCRETE				
B-24	ARCHITECTURAL				
B-24-33 Total	PLUMBING FIXTURES				
B-24 Total	ARCHITECTURAL				
B-31	MECHANICAL EQUIPMENT				
B-31-73 Total	MISCELLANEOUS EQUIPMENT				
B-31 Total	MECHANICAL EQUIPMENT				
B-35	PIPING				
B-35-13 Total	LARGE BORE PIPING				
B-35-15 Total	SMALL BORE PIPING				

TRADE SECRET DATA ENDS]

ESTIMATE NO. : 30685B
 PROJECT NO. : 12715 001
 ISSUE DATE : 10/29/2010
 PREP/REV : JAE /MNO
 APPROVED : BJD

OTTER TAIL
 BIG STONE STATION
 SCR
 CONCEPTUAL COST ESTIMATE [TRADE SECRET DATA BEGINS

CODE OF ACCOUNT	DESCRIPTION A	EQUIPMENT COST	MATERIAL COST	LABOR COST	TOTAL COST
B-35 Total	PIPING				
B Total	ANHYDROUS AMMONIA STORAGE/DELIVERY SYSTEM				
C	MECHANICAL BOP SYSTEM IMPACTS				
C-31	MECHANICAL EQUIPMENT				
C-31-41 Total	FIRE PROTECTION EQUIPMENT & SYSTEM				
C-31 Total	MECHANICAL EQUIPMENT				
C-35	PIPING				
C-35-13 Total	LARGE BORE PIPING				
C-35 Total	PIPING				
C-44	CONTROL & INSTRUMENTATION				
C-44-21 Total	INSTRUMENT				
C-44 Total	CONTROL & INSTRUMENTATION				
C Total	MECHANICAL BOP SYSTEM IMPACTS				
D	NON POWER PRODUCING ASSETS				
D-81	NON POWER PRODUCING ASSETS				
D-81-13 Total	CONSTRUCTION EQUIPMENT				
D-81 Total	NON POWER PRODUCING ASSETS				
D Total	NON POWER PRODUCING ASSETS				
90	SUBTOTAL DIRECT & CONSTRUCTION INDIRECT COST				
91	OTHER DIRECT & CONSTRUCTION INDIRECT COST				
91-1	SCAFFOLDING - % of ACCT NO. 90				
91-2A	COST DUE TO OVERTIME WORKING 5-9 HOUR DAYS				
91-21A	COST DUE TO OVERTIME INEFFICIENCY - SPECIFY % INEFFICIENCY				
91-22A	COST DUE TO OVERTIME PAY @1.5 TIMES OVERTIME PAY RATE - SPECIFY % ADDITIONAL HOURS PAID ON ACTUAL HOURS WORKED				
91-23A	COST DUE TO OVERTIME - ADDITIONAL PER DIEM				
91-2B	COST DUE TO OVERTIME WORKING 7 -10 HOUR DAYS				
91-21B	COST DUE TO OVERTIME INEFFICIENCY - SPECIFY % INEFFICIENCY				
91-22B	COST DUE TO OVERTIME PAY @1.5 TIMES OVERTIME PAY RATE - SPECIFY % ADDITIONAL HOURS PAID ON ACTUAL HOURS WORKED				
91-23B	COST DUE TO OVERTIME - ADDITIONAL PER DIEM				
91-3	PER DIEM				
91-4	CONSUMABLES - % of ACCT NO. 90				
91-5	FREIGHT ON MATERIAL - % of ACCT NO. 90				
91-6	FREIGHT ON EQUIPMENT - % of ACCT NO. 90				
91-7	SALES TAX - % of ACCT NO. 90				

TRADE SECRET DATA ENDS]

ESTIMATE NO. : 30866B
PROJECT NO. : 12715.001
ISSUE DATE : 10/29/2010
PREP/REV : JAE / MNO
APPROVED : BJD

OTTER TAIL
BIG STONE STATION
SCR
CONCEPTUAL COST ESTIMATE [TRADE SECRET DATA BEGINS

CODE OF ACCOUNT	DESCRIPTION A	EQUIPMENT COST	MATERIAL COST	LABOR COST	TOTAL COST
91-9	CONTRACTOR'S GENERAL AND ADMINISTRATION EXPENSE - % of ACCT NO. 90				
91-10	CONTRACTOR'S PROFIT - % of ACCT NO. 90				
	91 - SUBTOTAL				
92	TOTAL DIRECT & CONSTRUCTION INDIRECT COST				
93	INDIRECT COST				
93-1	ENGINEERING, PROCUREMENT, & PROJECT SERVICES - % of ACCT NO. 92				
93-2	CONSTRUCTION MANAGEMENT SUPPORT - % of ACCT NO. 92				
93-3	S-U / COMMISSIONING - % of ACCT NO. 92				
93-3	START-UP SPARE PARTS				
93-4	EXCESS LIABILITY INSURANCE				
93-4	SALES TAX ON INDIRECTS				
93-5	OWNERS COST				
93-6	EPC FEE - NOT INCLUDED				
	93 - TOTAL INDIRECT COSTS				
94	TOTAL CONTINGENCY				
94-1	CONTINGENCY ON EQUIPMENT				
94-2	CONTINGENCY ON MATERIAL				
94-3	CONTINGENCY ON LABOR				
94-4	CONTINGENCY ON INDIRECT				
95	TOTAL ESCALATION				
95-1	ESCALATION ON EQUIPMENT				
95-2	ESCALATION ON MATERIAL				
95-3	ESCALATION ON LABOR				
95-4	ESCALATION ON INDIRECT				
96	TOTAL CONSTRUCTION COST				
97	INTEREST DURING CONSTRUCTION				
98	TOTAL PROJECT COST				185,702,600

F:\OTTER TAIL\COST ESTIMATES\SCR\30866B - SCR Cost Es EXCEL VERSION 062310

TRADE SECRET DATA ENDS]

ESTIMATE # 1668
 PROJECT NO 1715.001
 ISSUE DATE 10/29/2010
 PREP/REV JAE / MNO
 APPROVED BJD

[TRADE SECRET DATA BEGINS

OTTER ...
 BIG STONE STATION
 SCR
 CONCEPTUAL COST ESTIMATE

PRICE LEVEL: 2010 LOCATION: Sioux Falls, SD

WAGE RATE: PRODUCTIVITY FACTOR:

CODE OF ACCOUNT	DESCRIPTION A	DESCRIPTION B	QTY	UM	EQUIPMENT COST	MATERIAL COST	MAN-HOURS	CREW WAGE RATE	LABOR COST	TOTAL COST
A	SCR									
A-21	CIVIL WORK									
A-21-17	EARTHWORK, BACKFILL									
A-21-17-1	EARTHWORK, BACKFILL	SCR FOUNDATION								
	A-21-17 Total									
A-21-23	EARTHWORK, EXCAVATION									
A-21-23-1	EARTHWORK, EXCAVATION	SCR FOUNDATION								
	A-21-23 Total									
A-21-51	MISCELLANEOUS									
A-21-51-1	MISCELLANEOUS	SHORING/DEWATERING SYSTEM FOR SCR FOUNDATION								
	A-21-51 Total									
	A-21 Total									
A-22	CONCRETE									
A-22-13	CONCRETE									
A-22-13-1	CONCRETE	SCR FOUNDATION								
	A-22-13 Total									
A-22-15	EMBEDMENT									
A-22-15-1	EMBEDMENT	SCR FOUNDATION								
	A-22-15 Total									
A-22-17	FORMWORK									
A-22-17-1	FORMWORK	SCR FOUNDATION								
	A-22-17 Total									
A-22-21	MISCELLANEOUS									
A-22-21-1	MISCELLANEOUS	GROUT COLUMN BASES, SCR FOUNDATION								
	A-22-21 Total									
A-22-25	REINFORCING									
A-22-25-1	REINFORCING	SCR FOUNDATION								
	A-22-25 Total									
	A-22 Total									
A-23	STEEL									
A-23-15	DUCTWORK									
A-23-15-1	DUCTWORK	GAS DUCTS BETWEEN ECONOMIZER OUTLET TO SCR, SCR DUCTWORK								
A-23-15-2	DUCTWORK	GAS DUCTS FROM SCR TO AH, SCR DUCTWORK - COR TEN B MATERIAL								

TRADE SECRET DATA ENDS]

ESTIMATE NO. : 30886B
PROJECT NO. : 12715.001
ISSUE DATE : 10/29/2010
PREP/REV : JAE / MNO
APPROVED : BJD

[TRADE SECRET DATA BEGINS

OTTER TAIL
BIG STONE STATION
SCR
CONCEPTUAL COST ESTIMATE

PRICE LEVEL: 2010 LOCATION: Sioux Falls, SD

WAGE RATE: PRODUCTIVITY FACTOR:

CODE OF ACCOUNT	DESCRIPTION A	DESCRIPTION B	QTY	UM	EQUIPMENT COST	MATERIAL COST	MAN-HOURS	CREW WAGE RATE	LABOR COST	TOTAL COST
A-23-15-3	DUCTWORK	EXISTING DUCTWORK MODIFICATIONS, SCR DUCTWORK								
A-23-15-4	DUCTWORK	2 - VESSELS (39'-6" X 47'-2" X 64" H WHOPPER), SCR REACTOR								
A-23-15-5	DUCTWORK	ACCESS DOORS, 24"X36", SCR REACTOR								
A-23-15-6	DUCTWORK	REMOVABLE CATALYST DOOR, 6'X8', SCR REACTOR								
A-23-15 Total										
A-23-17	GALLERY									
A-23-17-1	GALLERY	GALLERIES INCLUDING 3" HD GRATING, HR AND GUARD PLATE								
A-23-17-2	GALLERY	HD 3" DEEP GRATING INSIDE SCR REACTOR								
A-23-17 Total										
A-23-23	MISCELLANEOUS									
A-23-23-1	BASE PLATES	SCR COLUMN BASE PLATES								
A-23-23 Total										
A-23-25	ROLLED SHAPE - STRUCTURAL STEEL									
A-23-25-1	STRUCTURAL STEEL	SCR TOWER STEEL								
A-23-25-2	STRUCTURAL STEEL	BOILER BUILDING STEEL MODIFICATIONS - FOR SCR RELATED ONLY								
A-23-25-3	STRUCTURAL STEEL	GIRTS AND PURLINS FOR SCR PLATFORM ENCLOSURE								
A-23-25 Total										
A-23 Total										
A-24	ARCHITECTURAL									
A-24-15	DOOR									
A-24-15-1	DOOR	SCR PLATFORM ENCLOSURE - STEEL DOOR & FRAME, INCLUDING HARDWARE								
A-24-15 Total										
A-24-37	ROOFING									
A-24-37-1	ROOFING	SCR PLATFORM ENCLOSURE - UNINSULATED METAL ROOF PANELS								
A-24-37 Total										
A-24-41	SIDING									

TRADE SECRET DATA ENDS]

ESTIMATE # 166B
 PROJECT NO 715.001
 ISSUE DATE 10/29/2010
 PREP/REV JAE / MNO
 APPROVED BJD

(TRADE SECRET DATA BEGINS)

OTTER ...L
 BIG STONE STATION
 SCR
 CONCEPTUAL COST ESTIMATE

PRICE LEVEL: 2010 LOCATION: Sioux Falls, SD

WAGE RATE: PRODUCTIVITY FACTOR:

CODE OF ACCOUNT	DESCRIPTION A	DESCRIPTION B	QTY	UM	EQUIPMENT COST	MATERIAL COST	MAN-HOURS	CREW WAGE RATE	LABOR COST	TOTAL COST
A-24-41-1	SIDING	SCR PLATFORM ENCLOSURE - UNINSULATED METAL SIDING PANELS								
	A-24-41 Total									
A-24-42	PLATFORM FLOORING									
A-24-42-1	CHECKERED PLATE FLOOR	SCR PLATFORM ENCLOSURE - STEEL PLATE FLOORING - 1/4" CHECKERED PLATE								
	A-24-42 Total									
	A-24 Total									
A-25	STACK									
A-25-15	STEEL STACK									
A-25-15-1	STEEL STACK	EXTEND EXISTING 6'-6" AUXILIARY BOILER STACK BY 70 FT								
A-25-15-2	STEEL STACK	MODIFY EXISTING 6'-6" STACK - ALLOWANCE								
	A-25-15 Total									
	A-25 Total									
A-31	MECHANICAL EQUIPMENT									
A-31-13	BOILER AND AIR HEATER MODIFICATIONS									
A-31-13-1	CONVECTION PASS BOILER MODIFICATIONS FOR EEGT	INCLUDES REHEATER, PRIMARY SUPERHEATER (SMALLER PRIMARY BANK ONLY), AND V - TEMP ECONOMIZER MODS; ACCESS DOORS, STRINGER REPLACEMENT, GR INTAKE REWORK AND STRUCTURAL MODS, AND SOOTBLOWER ADDITIONS AND MODIFICATIONS. SUBCONTRACT COST 1								
A-31-13-2	BOILER STRUCTURAL STEEL	REINFORCEMENT FOR EEGT. INCLUDED IN CONVECTION PASS BOILER MODIFICATIONS ABOVE								
A-31-13-3	CONTROL SYSTEM SPECIFIC HARDWARE	PROGRAMMING FOR EEGT. INCLUDED IN CONVECTION PASS BOILER MODIFICATIONS ABOVE								
	A-31-13 Total									
A-31-14	SEPARATED OVERFIRE AIR (SOFA) SYSTEM - OPTION 2									

TRADE SECRET DATA ENDS}

ESTIMATE NO. : 30866B
 PROJECT NO. : 12715.001
 ISSUE DATE : 10/29/2010
 PREP/REV : JAE / MNO
 APPROVED : BJO

[TRADE SECRET DATA BEGINS

OTTER TAIL
 BIG STONE STATION
 SCR
 CONCEPTUAL COST ESTIMATE

PRICE LEVEL: 2010 LOCATION: Sioux Falls, SD

WAGE RATE:

PRODUCTIVITY FACTOR:

CODE OF ACCOUNT	DESCRIPTION A	DESCRIPTION B	QTY	UM	EQUIPMENT COST	MATERIAL COST	MAN-HOURS	CREW WAGE RATE	LABOR COST	TOTAL COST
A-31-14-1	SOFA SYSTEM - OPTION 2	14 SOFA PORTS AND DUCT RUNS, WITH FRONT AND REAR PLENUM, PLUS PLATFORM AND STAIRWAY ADDITIONS AND MODIFICATIONS PER DWG BO172332. SUBCONTRACT COST INCLUDES EQUIPMENT, MATERIAL AND LABOR								
A-31-14-2	RE-ENTRANT THROATS	NOT INCLUDED								
A-31-14-3	MULTI-BLADE VELOCITY CAMPER ASSEMBLIES WITH AUTOMATED DRIVES.	NOT INCLUDED								
A-31-14-4	SLAG TANK VENT SYSTEM.	NOT INCLUDED								
A-31-14-5	BOILER AND A H MODIFICATIONS FOR PRESSURE INCREASE TO - 20"	INCLUDES BOILER AND AIR HEATER REINFORCEMENT. - SUBCONTRACT COST INCLUDES MATERIAL AND LABOR								
A-31-14-6	BOILER AND A H INSULATION AND LAGGING	REMOVAL AND RE-INSTALLATION - SUBCONTRACT COST INCLUDES MATERIAL AND LABOR								
A-31-14-7	DUCTWORK REMOVAL FROM ECONOMIZER OUTLET TO AIR HEATER INLET.	DEMO DUCTS FROM ECONOMIZER TO AIRHEATER - LOCATED INSIDE BLR BLDG, VERTICAL SECTION - 20' X 20' X 80' HIGH								
A-31-14-8	BOILER STRUCTURAL STEEL MODIFICATIONS.	BOILER STEEL MODIFICATIONS, DEMO, RELOCATION COL REINFORCING, V.B. MOD.								
A-31-14 Total										
A-31-15	BOILER COMPONENTS									
A-31-15-1	BOILER COMPONENTS	SOOTBLOWERS								
A-31-15 Total										
A-31-25	CRANES AND HOISTS									
A-31-25-1	CRANES AND HOISTS	CATALYST REPLACEMENT TROLLY, 8 TONS								
A-31-25 Total										
A-31-33	EXPANSION JOINT									
A-31-33-1	EXPANSION JOINT	EXPANSION JOINT								
A-31-33 Total										
A-31-53	FLUE GAS CLEANUP									
A-31-53-1	FLUE GAS CLEANUP	CATALYST								
A-31-53-2	FLUE GAS CLEANUP	SONIC HORNS								

ESTIMATE # 368B
PROJECT # 0715 001
ISSUE DATE 10/29/2010
PREP/REV JAE / MNO
APPROVED BJO

OTTER TAIL
BIG STONE STATION
SCR
CONCEPTUAL COST ESTIMATE

[TRADE SECRET DATA BEGINS

PRICE LEVEL 2010 LOCATION: Sioux Falls, SD

WAGE RATE: PRODUCTIVITY FACTOR:

CODE OF ACCOUNT	DESCRIPTION A	DESCRIPTION B	QTY	UM	EQUIPMENT COST	MATERIAL COST	MAN-HOURS	CREW WAGE RATE	LABOR COST	TOTAL COST
A-31-53 Total										
A-31-73	MISCELLANEOUS EQUIPMENT									
A-31-73-1	AMMONIA INJECTION GRID	AIG								
A-31-73-2	STATIC MIXER	STATIC MIXER								
A-31-73-3	PALLET TRUCKS	PALLET TRUCKS								
A-31-73 Total										
A-31-77	SCREEN									
A-31-77-1	SCREEN	SCREEN ADDITION FOR POPCORN ASH CONTROL								
A-31-77 Total										
A-31-98	TESTING									
A-31-98-1	TESTING	PHYSICAL AND CFD FLOW MODEL TEST. SUBCONTRACT COST								
A-31-98 Total										
A-31 Total										
A-35	PIPING									
A-35-13	LARGE BORE PIPING									
A-35-13-1	LARGE BORE PIPING	PIPING 2.5" CS CONDENSATE RETURN.								
A-35-13-2	LARGE BORE PIPING	PIPING 3" CS SCH 40								
A-35-13-3	LARGE BORE PIPING	PIPING 4" CS SCH 40								
A-35-13-4	LARGE BORE PIPING	PIPING, VACUUM 4" CS SCH 40								
A-35-13 Total										
A-35-15	SMALL BORE PIPING									
A-35-15-1	SMALL BORE PIPING	INSTRUMENT AIR PIPING 2" CS, SONIC HORNS								
A-35-15-2	SMALL BORE PIPING	VALVES 2" CS, SONIC HORNS								
A-35-15-3	SMALL BORE PIPING	PIPING 2" CS SOOT BLOWER								
A-35-15-4	SMALL BORE PIPING	PIPING 2" CS HIGH PRESSURE WASH WATER, AIR HEATER MODS								
A-35-15-5	SMALL BORE PIPING	VALVES 2" SS, AIR HEATER MODS								
A-35-15 Total										
A-35 Total										
A-36	INSULATION									
A-36-13	INSULATION, DUCT & EQUIPMENT									
A-36-13-1	INSULATION, DUCT & EQUIPMENT	INSULATION AND LAGGING, SCR DUCTWORK								

TRADE SECRET DATA ENDS]

ESTIMATE NO. : 30868B
 PROJECT NO. : 12715.001
 ISSUE DATE : 10/29/2010
 PREP/REV : JAE / MNO
 APPROVED : BJD

[TRADE SECRET DATA BEGINS

OTTER TAIL
 BIG STONE STATION
 SCR
 CONCEPTUAL COST ESTIMATE

PRICE LEVEL: 2010 LOCATION: Sioux Falls, SD

WAGE RATE:

PRODUCTIVITY FACTOR:

CODE OF ACCOUNT	DESCRIPTION A	DESCRIPTION B	QTY	UM	EQUIPMENT COST	MATERIAL COST	MAN-HOURS	CREW WAGE RATE	LABOR COST	TOTAL COST
A-36-13-2	INSULATION, DUCT & EQUIPMENT	INSULATION AND LAGGING, SCR REACTOR								
	A-36-13 Total									
	A-36 Total									
A-41	ELECTRICAL EQUIPMENT									
A-41-17	COMMUNICATION SYSTEM									
A-41-17-1	COMMUNICATION SYSTEM	COMMUNICATIONS (PAGE PARTS AND PHONE JACKS) ALLOWANCE FOR SCR AND AMMONIA AREA								
	A-41-17 Total									
A-41-37	LIGHTING ACCESSORY (FIXTURE)									
A-41-37-1	LIGHTING ACCESSORY (FIXTURE)	FIXTURES & SUPPORT HDWR								
A-41-37-2	WIRING DEVICES	SWITCHES, RECEPTACLES								
A-41-37-3	LIGHTING CONDUIT	3/4" to 1-1/2" RGS								
A-41-37-4	LIGHTING WIRE	3/C #12 AWG 600V								
	A-41-37 Total									
A-41-31	GROUNDING									
A-41-31-1	#4/0 BARE COPPER WIRE	GROUNDING SYSTEM (FOR SCR & AMMONIA AREAS) #4/0 AWG BARE								
A-41-31-2	CADWELD	GROUNDING TERMINATION								
	A-41-31 Total									
A-41-35	LIGHTNING PROTECTION									
A-41-35-1	LIGHTNING PROTECTION	LIGHTNING PROTECTION - AIR TERMINALS, 1/2" DIA 24" LG CABLE								
	A-41-35 Total									
A-41-41	MISCELLANEOUS									
A-41-41-1	MISCELLANEOUS	ALLOWANCE FOR SOOT BLOWERS INSTALLATION								
	A-41-41 Total									
A-41-57	WIRING DEVICE									
A-41-57-1	WIRING DEVICE	WELDING RECEPTACLES 60A, 3 WIRE, 4 POLE								
A-41-57-2	WIRING DEVICES	SWITCHES, RECEPTACLES								
	A-41-57 Total									
	A-41 Total									
A-42	RACEWAY, CABLE TRAY, & CONDUIT									
A-42-13	CABLE TRAY									
A-42-13-1	12" W X 4" D AL CABLE TRAY	INCLUDING SUPPORTS & FITTINGS								

ESTIMATE NO: 108
 PROJECT NO: 15 001
 ISSUE DATE: 10/29/2010
 PREP/REV: JAE / MNO
 APPROVED: BJO

[TRADE SECRET DATA BEGINS]

OTTER
 BIG STONE STATION
 SCR
 CONCEPTUAL COST ESTIMATE

PRICE LEVEL: 2010 LOCATION: Sioux Falls, SD

WAGE RATE: PRODUCTIVITY FACTOR:

CODE OF ACCOUNT	DESCRIPTION A	DESCRIPTION B	QTY	UM	EQUIPMENT COST	MATERIAL COST	MAN-HOURS	CREW WAGE RATE	LABOR COST	TOTAL COST
A-42-13-1	24" W X 4" DAL CABLE TRAY	INCLUDING SUPPORTS & FITTINGS								
	A-42-13 Total									
A-42-15	CONDUIT									
A-42-15-1	3/4" RGS									
A-42-15-2	1" RGS									
A-42-15-4	1-1/2" RGS									
A-42-15-7	3/4" SEALTIGHT FLEX 3' + 2 CONNECTORS									
	A-42-15 Total									
	A-42 Total									
A-43	CABLE									
A-43-13	CONTROL & INSTRUMENT CABLE									
A-43-13-1	FIBER OPTIC CABLE									
A-43-13-2	3/C # 14									
A-43-13-3	5/C # 14									
A-43-13-4	2PR # 16 SH CHROM/CONST									
A-43-13-5	4PR # 20 AWG WIRE									
A-43-13-6	I & C CABLE & TERMINATION									
	A-43-13 Total									
A-43-17	LOW VOLTAGE POWER CABLE & TERMINATION									
A-43-17-1	3/C # 10 AWG 600V									
A-43-17-2	3/C # 6 AWG 600V									
A-43-17-3	3/C # 2 AWG 600V									
A-43-17-4	3/C # 250 MCM 600V									
A-43-17-5	600V POWER CABLE & TERMINATION									
	A-43-17 Total									
	A-43 Total									
A-44	CONTROL & INSTRUMENTATION									
A-44-21	INSTRUMENT									
A-44-21-1	AMMONIA ANALYZER	AMMONIA SLIP ANALYZER (IN SITU)								
A-44-21-2	ANALYZER ELEMENT	INSTRUMENT								
A-44-21-3	FLOW ELEMENT	INSTRUMENT								
A-44-21-4	FLOW INDICATORS	INSTRUMENT								
A-44-21-5	FLOW SWITCH	INSTRUMENT								
A-44-21-6	INDICATING LIGHT	INSTRUMENT								
A-44-21-7	LIMIT SWITCH	INSTRUMENT								
A-44-21-8	POSITION TRANSMITTER	INSTRUMENT								
A-44-21-9	PRESURE INDICATOR	INSTRUMENT								

ESTIMATE NO.: 308808
 PROJECT NO.: 12715.001
 ISSUE DATE: 10/29/2010
 PREP/REV: JAE / MNO
 APPROVED: BJD

OTTER TAIL
 BIG STONE STATION
 SCR

[TRADE SECRET DATA BEGINS CONCEPTUAL COST ESTIMATE

PRICE LEVEL: 2010 LOCATION: Sioux Falls, SD

WAGE RATE: PRODUCTIVITY FACTOR:

CODE OF ACCOUNT	DESCRIPTION A	DESCRIPTION B	QTY	UM	EQUIPMENT COST	MATERIAL COST	MAN-HOURS	CREW WAGE RATE	LABOR COST	TOTAL COST
A-44-21-10	VACUUM/PRESSURE SWTCH	INSTRUMENT								
A-44-21-11	PRESSURE TRANSMITTER	INSTRUMENT								
A-44-21-12	PUSHBUTTON	INSTRUMENT								
A-44-21-13	SELECTOR SWTCH	INSTRUMENT								
A-44-21-14	SOLENOID VALVE	INSTRUMENT								
A-44-21-15	TEMPERATURE ELEMENT	INSTRUMENT								
A-44-21-16	TEMPERATURE INDICATOR	INSTRUMENT								
A-44-21-17	TEMPERATURE SWITCH	INSTRUMENT								
A-44-21-18	TEMPERATURE TRANSMITTER	INSTRUMENT								
A-44-21-19	THERMOWELL	INSTRUMENT								
A-44-21-20	3/8" TUBING	INCLUDING SUPPORTS & CONNECTOR FITTINGS (ALLOWANCE)								
A-44-21-21	INSTRUMENT PANEL, RACK	INSTRUMENT RACKS								
A-44-21-22	SOOT BLOWER CONTROLS									
A-44-21 Total										
A-44 Total										
A Total										
B	ANHYDROUS AMMONIA STORAGE/DELIVERY SYSTEM									
B-21	CIVIL WORK									
B-21-17	EARTHWORK, BACKFILL									
B-21-17-1	EARTHWORK, BACKFILL	AMMONIA TANK & PUMP, FOUNDATION & CONTAINMENT								
B-21-17 Total										
B-21-23	EARTHWORK, EXCAVATION									
B-21-23-1	EARTHWORK, EXCAVATION	AMMONIA TANK & PUMP, FOUNDATION & CONTAINMENT								
B-21-23 Total										
B-21 Total										
B-22	CONCRETE									
B-22-13	CONCRETE									
B-22-13-1	CONCRETE	AMMONIA TANK & PUMP, FOUNDATION & CONTAINMENT								
B-22-13-2	CONCRETE	AMMONIA UNLOADING STATION								
B-22-13 Total										
B-22-15	EMBEDMENT									

TRADE SECRET DATA ENDS]

ESTIMATE N 168B
 PROJECT N 1715.001
 ISSUE DATE 10/29/2010
 PREP/REV JAE / MNO
 APPROVED BJD

[TRADE SECRET DATA BEGINS]

OTTER TAIL
 BIG STONE STATION
 SCR
 CONCEPTUAL COST ESTIMATE

PRICE LEVEL: 2010 LOCATION: Sioux Falls, SD

WAGE RATE: PRODUCTIVITY FACTOR:

CODE OF ACCOUNT	DESCRIPTION A	DESCRIPTION B	QTY	UM	EQUIPMENT COST	MATERIAL COST	MAN-HOURS	CREW WAGE RATE	LABOR COST	TOTAL COST
B-22-15-1	EMBEDMENT	AMMONIA TANK & PUMP, FOUNDATION & CONTAINMENT								
	B-22-15 Total									
B-22-17	FORMWORK									
B-22-17-1	FORMWORK	AMMONIA TANK & PUMP, FOUNDATION & CONTAINMENT								
	B-22-17 Total									
B-22-25	REINFORCING									
B-22-25-1	REINFORCING	AMMONIA TANK & PUMP, FOUNDATION & CONTAINMENT								
	B-22-25 Total									
	B-22 Total									
B-24	ARCHITECTURAL									
B-24-33	PLUMBING FIXTURES									
B-24-33-1	PLUMBING FIXTURES	EYE WASH STATION AMMONIA AREA								
B-24-33-2	PLUMBING FIXTURES	EYE WASH STATION SCR								
	B-24-33 Total									
	B-24 Total									
B-31	MECHANICAL EQUIPMENT									
B-31-73	MISCELLANEOUS EQUIPMENT									
B-31-73-1	MISCELLANEOUS EQUIPMENT	ANHYDROUS AMMONIA STORAGE TANK, 31000 GAL. SHOP FABRICATED								
B-31-73-2	MISCELLANEOUS EQUIPMENT	AMMONIA FORWARDING PUMP SKID								
B-31-73-3	MISCELLANEOUS EQUIPMENT	VAPORIZATION SKID								
B-31-73-4	MISCELLANEOUS EQUIPMENT	DILUTION AIR SKID -INCLUDES DILUTION AIR PIPING TO AIG								
B-31-73-5	MISCELLANEOUS EQUIPMENT	CONDENSATE TANK WITH RETURN PUMPS								
B-31-73-6	MISCELLANEOUS EQUIPMENT	AMMONIA TRANSMITTERS								
B-31-73-7	MISCELLANEOUS EQUIPMENT	AMMONIA TRUCK UNLOADING STATION								
B-31-73-8	MISCELLANEOUS EQUIPMENT	MISC. CONTROLS								
B-31-73-9	MISCELLANEOUS EQUIPMENT	MISC. COSTS - FREIGHT								
	B-31-73 Total									
	B-31 Total									
B-35	PIPING									
B-35-13	LARGE BORE PIPING									

TRADE SECRET DATA ENDS]

ESTIMATE NO. : 30868B
 PROJECT NO. : 12715 001
 ISSUE DATE : 10/29/2010
 PREP/REV : JAE / MNO
 APPROVED : BJD

[TRADE SECRET DATA BEGINS

OTTER TAIL
 BIG STONE STATION
 SCR
 CONCEPTUAL COST ESTIMATE

PRICE LEVEL: 2010 LOCATION: Sioux Falls, SD

WAGE RATE: PRODUCTIVITY FACTOR:

CODE OF ACCOUNT	DESCRIPTION A	DESCRIPTION B	QTY	UM	EQUIPMENT COST	MATERIAL COST	MAN-HOURS	CREW WAGE RATE	LABOR COST	TOTAL COST
B-35-13-1	LARGE BORE PIPING	PIPE SUPPORTS								
B-35-13-2	LARGE BORE PIPING	PIPING 8" CS								
B-35-13-3	LARGE BORE PIPING	PIPING 4" CS								
B-35-13-4	LARGE BORE PIPING	PIPING 3" CS, SERVICE AIR								
B-35-13-5	LARGE BORE PIPING	VALVES 4" SS								
	B-35-13 Total									
B-35-15	SMALL BORE PIPING									
B-35-15-1	SMALL BORE PIPING	AMMONIA INSTRUMENT AIR PIPING 2" 304 SS, AMMONIA INSTRUMENT AIR								
B-35-15-2	SMALL BORE PIPING	VALVES <1" TUBE, SS, AMMONIA INSTRUMENT AIR								
B-35-15-3	SMALL BORE PIPING	VALVES 2" SS, AMMONIA INSTRUMENT AIR								
B-35-15-4	SMALL BORE PIPING	VALVES 1" SS, SERVICE AIR								
B-35-15-5	SMALL BORE PIPING	PIPING 1" CS, SERVICE AIR								
B-35-15-6	SMALL BORE PIPING	VALVES 2" CS, SERVICE WATER								
B-35-15-7	SMALL BORE PIPING	PIPING 2" CS, SERVICE WATER								
B-35-15-8	SMALL BORE PIPING	VALVES 2" CS GALV., POTABLE WATER AMMONIA AREA								
B-35-15-9	SMALL BORE PIPING	PIPING 2" CS GALV., POTABLE WATER AMMONIA AREA								
B-35-15-10	SMALL BORE PIPING	PIPING 2", HDPE, SDR 11, DOMESTIC WATER, AMMONIA AREA								
B-35-15-11	SMALL BORE PIPING	VALVES 2" CS GALV., POTABLE WATER SCR								
B-35-15-12	SMALL BORE PIPING	PIPING 2" CS GALV., POTABLE WATER SCR								
B-35-15-13	SMALL BORE PIPING	PIPING 2" CS								
B-35-15-14	SMALL BORE PIPING	PIPING 2" CS INTERCONNECTION TO AMMONIA TANK								
	B-35-15 Total									
	B-35 Total									
	B Total									
C	MECHANICAL BOP SYSTEM IMPACTS									
C-31	MECHANICAL EQUIPMENT									
C-31-41	FIRE PROTECTION EQUIPMENT & SYSTEM									
C-31-41-1	FIRE PROTECTION EQUIPMENT & SYSTEM	FIRE HYDRANTS								

ESTIMATE NO 98B
 PROJECT NO 15.001
 ISSUE DATE 10/29/2010
 PREP/REV JAE / MNO
 APPROVED BJD

[TRADE SECRET DATA BEGINS

OTTER
 BIG STONE STATION
 SCR
 CONCEPTUAL COST ESTIMATE

PRICE LEVEL: 2010 LOCATION: Sioux Falls, SD

WAGE RATE: PRODUCTIVITY FACTOR:

CODE OF ACCOUNT	DESCRIPTION A	DESCRIPTION B	QTY	UM	EQUIPMENT COST	MATERIAL COST	MAN-HOURS	CREW WAGE RATE	LABOR COST	TOTAL COST
C-31-41 Total										
C-31 Total										
C-35	PIPING									
C-35-13	LARGE BORE PIPING									
C-35-13-1	LARGE BORE PIPING	FIRE PROTECTION PIPING 6" CS SCHEDULE 40								
C-35-13-2	LARGE BORE PIPING	VALVES 6" CS PI								
C-35-13-3	LARGE BORE PIPING	4" SCH 40 CS SCR VACUUM PIPE INCLUDING FITTINGS & SUPPORTS								
C-35-13-4	LARGE BORE PIPING	6" HDPE, INCLUDES FITTINGS, UNDERGROUND, EXTEND EXISTING AND NEW FOR BH, SDA, ACI, REAGENT PREP, RECYCLE; FIRE PROTECTION								
C-35-13-5	LARGE BORE PIPING	3" CS, SCH 40, INCLUDES FITTINGS, NH3 DELUGE AND BUILDING INTERIOR, FIRE PROTECTION								
C-35-13-6	LARGE BORE PIPING	PIPE SUPPORTS FOR FIRE PROTECTION								
C-35-13 Total										
C-35 Total										
C-44	CONTROL & INSTRUMENTATION									
C-44-21	INSTRUMENT									
C-44-21-1	INSTRUMENT	RELOCATION OF EXISTING INSTRUMENTS AND DEVICES - ALLOWANCE								
C-44-21 Total										
C-44 Total										
C Total										
D	NON POWER PRODUCING ASSETS									
D-81	NON POWER PRODUCING ASSETS									
D-81-13	CONSTRUCTION EQUIPMENT									
D-81-13-1	CONSTRUCTION EQUIPMENT	HEAVY CRANE RENTAL NOT INCLUDED IN THE WAGE RATES. INCLUDES OPERATOR AND OILER								
D-81-13-2	CONSTRUCTION EQUIPMENT	FREIGHT FOR HEAVY CRANE								
D-81-13-3	CONSTRUCTION EQUIPMENT	BUILD AND TEAR DOWN								
D-81-13 Total										
D-81 Total										
D Total										

TRADE SECRET DATA ENDS]

ESTIMATE NO. : 30866B -
 PROJECT NO. : 12715.001
 ISSUE DATE : 10/29/2010
 PREP/REV : JAE / MNO
 APPROVED : BJD

OTTER TAIL
 BIG STONE STATION
 SCR
 [TRADE SECRET DATA BEGINS] CONCEPTUAL COST ESTIMATE

PRICE LEVEL: 2010 LOCATION: Sioux Falls, SD

WAGE RATE: PRODUCTIVITY FACTOR:

CODE OF ACCOUNT	DESCRIPTION A	DESCRIPTION B	QTY	UM	EQUIPMENT COST	MATERIAL COST	MAN-HOURS	CREW WAGE RATE	LABOR COST	TOTAL COST
90	SUBTOTAL DIRECT & CONSTRUCTION INDIRECT COST									
91	OTHER DIRECT & CONSTRUCTION INDIRECT COST									
91-1	SCAFFOLDING - % of ACCT NO. 90									
91-2A	COST DUE TO OVERTIME WORKING 5-9 HOUR DAYS		95% OF BASE MANHOURS							
91-21A	COST DUE TO OVERTIME INEFFICIENCY - SPECIFY % INEFFICIENCY		95% OF BASE MANHOURS							
91-22A	COST DUE TO OVERTIME PAY @1.5 TIMES OVERTIME PAY RATE - SPECIFY % ADDITIONAL HOURS PAID ON ACTUAL HOURS WORKED									
91-23A	COST DUE TO OVERTIME - ADDITIONAL PER DIEM									
91-2B	COST DUE TO OVERTIME WORKING 7 -10 HOUR DAYS		5% OF BASE MANHOURS							
91-21B	COST DUE TO OVERTIME INEFFICIENCY - SPECIFY % INEFFICIENCY		5% OF BASE MANHOURS							
91-22B	COST DUE TO OVERTIME PAY @1.5 TIMES OVERTIME PAY RATE - SPECIFY % ADDITIONAL HOURS PAID ON ACTUAL HOURS WORKED									
91-23B	COST DUE TO OVERTIME - ADDITIONAL PER DIEM									
91-3	PER DIEM									
91-4	CONSUMABLES - % of ACCT NO. 90									
91-5	FREIGHT ON MATERIAL - % of ACCT NO. 90									
91-6	FREIGHT ON EQUIPMENT - % of ACCT NO. 90									
91-7	SALES TAX - % of ACCT NO. 90		4% SALES TAX ON EQUIPMENT, MATERIAL AND LABOR, PLUS 2% EXCISE TAX ON CONTRACTOR'S GROSS RECEIPTS EXCLUDING OWNER PURCHASED MAJOR MATERIAL WHICH ARE CALCULATED AT 4%							
91-9	CONTRACTOR'S GENERAL AND ADMINISTRATION EXPENSE - % of ACCT NO. 90									
91-10	CONTRACTOR'S PROFIT - % of ACCT NO. 90									
91 - SUBTOTAL										
92	TOTAL DIRECT & CONSTRUCTION INDIRECT COST									

TRADE SECRET DATA ENDS

ESTIMATE # 186B
 PROJECT NO. 715.001
 ISSUE DATE 10/29/2010
 PREP/REV : JAE / MNO
 APPROVED : BJD

[TRADE SECRET DATA BEGINS

OTTER TAIL
 BIG STONE STATION
 SCR
 CONCEPTUAL COST ESTIMATE

PRICE LEVEL 2010 LOCATION: Sioux Falls, SD

WAGE RATE: PRODUCTIVITY FACTOR:

CODE OF ACCOUNT	DESCRIPTION A	DESCRIPTION B	QTY	UM	EQUIPMENT COST	MATERIAL COST	MAN-HOURS	CREW WAGE RATE	LABOR COST	TOTAL COST
93	INDIRECT COST									
93-1	ENGINEERING, PROCUREMENT, & PROJECT SERVICES - % of ACCT NO. 92									
93-2	CONSTRUCTION MANAGEMENT SUPPORT - % of ACCT NO. 92									
93-3	S-U / COMMISSIONING - % of ACCT NO. 92									
93-3	START-UP SPARE PARTS									
93-4	EXCESS LIABILITY INSURANCE	AT 1% OF TOTAL DIRECT COST								
93-4	SALES TAX ON INDIRECTS	APPLIED SALES TAX ONLY. ASSUMED EXCISE TAX IS NOT APPLICABLE ON INDIRECTS								
93-5	OWNERS COST	INCLUDED WITH THE DRY FGD COST ESTIMATE								
93-6	EPC FEE - NOT INCLUDED									
	93 - TOTAL INDIRECT COSTS									
94	TOTAL CONTINGENCY									
94-1	CONTINGENCY ON EQUIPMENT									
94-2	CONTINGENCY ON MATERIAL									
94-3	CONTINGENCY ON LABOR									
94-4	CONTINGENCY ON INDIRECT									
95	TOTAL ESCALATION									
95-1	ESCALATION ON EQUIPMENT									
95-2	ESCALATION ON MATERIAL									
95-3	ESCALATION ON LABOR									
95-4	ESCALATION ON INDIRECT									
96	TOTAL CONSTRUCTION COST									
97	INTEREST DURING CONSTRUCTION	BY OTP								
98	TOTAL PROJECT COST									185,702,600

TRADE SECRET DATA ENDS]

DFGD Estimate

ESTIMATE NO. : 30859B
 PROJECT NO. : 12715 031
 ISSUE DATE : 10/29/2010
 PREP/REV : RCK / MHO
 APPROVED : BJD

OTTER TAIL
 BIG STONE STATION
 DFGD
 CONCEPTUAL COST ESTIMATE

[TRADE SECRET DATA BEGINS

CODE OF ACCOUNT	DESCRIPTION A	EQUIPMENT COST	MATERIAL COST	LABOR COST	TOTAL COST
A	SITE WORK				
A -21	CIVIL WORK				
A -21-13 Total	CLEARING & GRUBBING				
A -21-17 Total	EARTHWORK, BACKFILL				
A -21-23 Total	EARTHWORK, EXCAVATION				
A -21-41 Total	EROSION AND SEDIMENTATION CONTROL				
A -21-43 Total	FENCE WORK				
A -21-47 Total	LANDSCAPING				
A -21-51 Total	CIVIL WORK MISCELLANEOUS				
A -21-57 Total	ROAD, PARKING AREA, & SURFACED AREA				
A -21 Total	CIVIL WORK				
A Total	SITE WORK				
B	DRY FGD SYSTEM				
B-21	CIVIL WORK				
B-21-17 Total	EARTHWORK, BACKFILL				
B-21-23 Total	EARTHWORK, EXCAVATION				
B-21 Total	CIVIL WORK				
B-22	CONCRETE				
B-22-13 Total	CONCRETE				
B-22-15 Total	EMBEDMENT				
B-22-17 Total	FORMWORK				
B-22-25 Total	REINFORCING				
B-22 Total	CONCRETE				
B-23	STEEL				
B-23-17 Total	GALLERY				
B-23-23 Total	MISCELLANEOUS STEEL ITEMS				
B-23-25 Total	ROLLED SHAPE - STRUCTURAL STEEL				
B-23 Total	STEEL				
B-24	ARCHITECTURAL				
B-24-15 Total	DOORS				
B-24-17 Total	ELEVATOR				
B-24-25 Total	LOUVER & VENT				
B-24-33 Total	PLUMBING FIXTURES				
B-24-37 Total	ROOFING				
B-24-41 Total	SIDING				
B-24 Total	ARCHITECTURAL				
B-26	MISCELLANEOUS STRUCTURAL ITEM				
B-26-15 Total	STEEL SILO				
B-26 Total	MISCELLANEOUS STRUCTURAL ITEM				
B-27	PAINTING & COATING				
B-27-17 Total	PAINTING				
B-27 Total	PAINTING & COATING				
B-31	MECHANICAL EQUIPMENT				
B-31-41 Total	FIRE PROTECTION EQUIPMENT & SYSTEM				

ESTIMATE NO. : 30859B
 PROJECT NO. : 12715.001
 ISSUE DATE : 10/29/2010
 PREP/REV : RCK / MNO
 APPROVED : BJD

OTTER TAIL
 BIG STONE STATION
 DFGD
 CONCEPTUAL COST ESTIMATE

[TRADE SECRET DATA BEGINS]

CODE OF ACCOUNT	DESCRIPTION A	EQUIPMENT COST	MATERIAL COST	LABOR COST	TOTAL COST
B-31-45 Total	FLUE GAS CLEANUP, FGD EQUIPMENT				
B-31 Total	MECHANICAL EQUIPMENT				
B-33	MATERIAL HANDLING EQUIPMENT				
B-33-43 Total	PNEUMATIC HANDLING SYSTEM				
B-33-57 Total	VACUUM CLEANING SYSTEM				
B-33 Total	MATERIAL HANDLING EQUIPMENT				
B-34	HVAC				
B-34-41 Total	FANS				
B-34-53 Total	UNIT HEATER				
B-34 Total	HVAC				
B-35	PIPING				
B-35-13 Total	LARGE BORE PIPING				
B-35 Total	PIPING				
B-36	INSULATION				
B-36-13 Total	INSULATION, DUCT & EQUIPMENT				
B-36 Total	INSULATION				
B-41	ELECTRICAL EQUIPMENT				
B-41-37 Total	LIGHTING ACCESSORY (FIXTURE)				
B-41-99 Total	ELECTRICAL WORK				
B-41 Total	ELECTRICAL EQUIPMENT				
B Total	DRY FGD SYSTEM				
C	FABRIC FILTER				
C-21	CIVIL WORK				
C-21-17 Total	EARTHWORK, BACKFILL				
C-21-23 Total	EARTHWORK, EXCAVATION				
C-21 Total	CIVIL WORK				
C-22	CONCRETE				
C-22-13 Total	CONCRETE				
C-22-15 Total	EMBEDMENT				
C-22-17 Total	FORMWORK				
C-22-25 Total	REINFORCING				
C-22 Total	CONCRETE				
C-23	STEEL				
C-23-17 Total	GALLERY				
C-23-25 Total	ROLLED SHAPE - STRUCTURAL STEEL				
C-23 Total	STEEL				
C-24	ARCHITECTURAL				
C-24-37 Total	ROOFING				
C-24-41 Total	SIDING				
C-24 Total	ARCHITECTURAL				
C-27	PAINTING & COATING				
C-27-13 Total	COATING				
C-27-17 Total	PAINTING				
C-27 Total	PAINTING & COATING				

ESTIMATE NO. : 30859B
PROJECT NO. : 12715.031
ISSUE DATE : 10/29/2010
PREP/REV : RCK / MNO
APPROVED : BJD

OTTER TAIL
BIG STONE STATION
DFGD
CONCEPTUAL COST ESTIMATE

[TRADE SECRET DATA BEGINS

CODE OF ACCOUNT	DESCRIPTION A	EQUIPMENT COST	MATERIAL COST	LABOR COST	TOTAL COST
C-31	MECHANICAL EQUIPMENT				
C-31-41 Total	FIRE PROTECTION EQUIPMENT & SYSTEM				
C-31-57 Total	FLUE GAS CLEANUP, PARTICULATE REMOVAL EQUIPMENT				
C-31 Total	MECHANICAL EQUIPMENT				
C-33	MATERIAL HANDLING EQUIPMENT				
C-33-57 Total	VACUUM CLEANING SYSTEM				
C-33 Total	MATERIAL HANDLING EQUIPMENT				
C-35	PIPING				
C-35-13 Total	LARGE BORE PIPING				
C-35 Total	PIPING				
C-36	INSULATION				
C-36-13 Total	INSULATION, DUCT & EQUIPMENT				
C-36 Total	INSULATION				
C-41	ELECTRICAL EQUIPMENT				
C-41-37 Total	LIGHTING ACCESSORY (FIXTURE)				
C-41 Total	ELECTRICAL EQUIPMENT				
C Total	FABRIC FILTER				
D	SOLID WASTE (FGD AND FLY ASH) HANDLING SYSTEM				
D-21	CIVIL WORK				
D-21-17 Total	EARTHWORK, BACKFILL				
D-21-23 Total	EARTHWORK, EXCAVATION				
D-21 Total	CIVIL WORK				
D-22	CONCRETE				
D-22-13 Total	CONCRETE				
D-22-15 Total	EMBEDMENT				
D-22-17 Total	FORMWORK				
D-22-25 Total	REINFORCING				
D-22 Total	CONCRETE				
D-23	STEEL				
D-23-25 Total	ROLLED SHAPE - STRUCTURAL STEEL				
D-23-17 Total	GALLERY				
D-23 Total	STEEL				
D-24	ARCHITECTURAL				
D-24-33 Total	PLUMBING FIXTURES				
D-24-35 Total	PRE-ENGINEERED BUILDING				
D-24 Total	ARCHITECTURAL				
D-26	MISCELLANEOUS STRUCTURAL ITEM				
D-26-15 Total	STEEL SILO				
D-26 Total	MISCELLANEOUS STRUCTURAL ITEM				
D-33	MATERIAL HANDLING EQUIPMENT				
D-33-13 Total	ASH HANDLING EQUIPMENT				
D-33 Total	MATERIAL HANDLING EQUIPMENT				
D-41	ELECTRICAL EQUIPMENT				

TRADE SECRET DATA ENDS]

ESTIMATE NO. : 308598
 PROJECT NO. : 12715.001
 ISSUE DATE : 10/29/2010
 PREP/REV : RCK / MNO
 APPROVED : BJD

OTTER TAIL
 BIG STONE STATION
 DFGD
 CONCEPTUAL COST ESTIMATE

[TRADE SECRET DATA BEGINS

CODE OF ACCOUNT	DESCRIPTION A	EQUIPMENT COST	MATERIAL COST	LABOR COST	TOTAL COST
D-41-37 Total	LIGHTING ACCESSORY (FIXTURE)				
D-41 Total	ELECTRICAL EQUIPMENT				
D Total	SOLID WASTE (FGD AND FLY ASH) HANDLING SYSTEM				
E	DUCTWORK FOR FLUE GAS SYSTEM				
E-21	CIVIL WORK				
E-21-17 Total	EARTHWORK, BACKFILL				
E-21-23 Total	EARTHWORK, EXCAVATION				
E-21 Total	CIVIL WORK				
E-22	CONCRETE				
E-22-13 Total	CONCRETE				
E-22-15 Total	EMBEDMENT				
E-22-17 Total	FORMWORK				
E-22-25 Total	REINFORCING				
E-22 Total	CONCRETE				
E-23	STEEL				
E-23-15 Total	DUCTWORK				
E-23-17 Total	GALLERY				
E-23-25 Total	ROLLED SHAPE - STRUCTURAL STEEL				
E-23 Total	STEEL				
E-31	MECHANICAL EQUIPMENT				
E-31-27 Total	DAMPERS & ACCESSORIES				
E-31-33 Total	EXPANSION JOINT				
E-31 Total	MECHANICAL EQUIPMENT				
E-36	INSULATION				
E-36-13 Total	INSULATION, DUCT & EQUIPMENT				
E-36 Total	INSULATION				
E-41	ELECTRICAL EQUIPMENT				
E-41-37 Total	LIGHTING ACCESSORY (FIXTURE)				
E-41 Total	ELECTRICAL EQUIPMENT				
E-44	CONTROL & INSTRUMENTATION				
E-44-21 Total	INSTRUMENT				
E-44 Total	CONTROL & INSTRUMENTATION				
E Total	DUCTWORK FOR FLUE GAS SYSTEM				
F	ID FANS				
F-21	CIVIL WORK				
F-21-17 Total	EARTHWORK, BACKFILL				
F-21-23 Total	EARTHWORK, EXCAVATION				
F-21 Total	CIVIL WORK				
F-22	CONCRETE				
F-22-13 Total	CONCRETE				
F-22-15 Total	EMBEDMENT				
F-22-17 Total	FORMWORK				
F-22-25 Total	REINFORCING				

TRADE SECRET DATA ENDS]

ESTIMATE NO. : 306598
 PROJECT NO. : 12715 031
 ISSUE DATE : 10/29/2010
 PREP/REV : RCK / MNO
 APPROVED : BJD

OTTER TAIL
 BIG STONE STATION
 DFGD
 CONCEPTUAL COST ESTIMATE

[TRADE SECRET DATA BEGINS

CODE OF ACCOUNT	DESCRIPTION A	EQUIPMENT COST	MATERIAL COST	LABOR COST	TOTAL COST
F-22 Total	CONCRETE				
F-31	MECHANICAL EQUIPMENT				
F-31-25 Total	CRANES & HOISTS				
F-31-27 Total	DAMPERS & ACCESSORIES				
F-31-35 Total	FANS & ACCESSORIES				
F-31 Total	MECHANICAL EQUIPMENT				
F-36	INSULATION				
F-36-13 Total	INSULATION, DUCT & EQUIPMENT				
F-36 Total	INSULATION				
F Total	ID FANS				
G	MECHANICAL - BALANCE OF PLANT				
G-21	CIVIL WORK				
G-21-17 Total	EARTHWORK, BACKFILL				
G-21-23 Total	EARTHWORK, EXCAVATION				
G-21 Total	CIVIL WORK				
G-22	CONCRETE				
G-22-13 Total	CONCRETE				
G-22-15 Total	EMBEDMENT				
G-22-17 Total	FORMWORK				
G-22-25 Total	REINFORCING				
G-22 Total	CONCRETE				
G-23	STEEL				
G-23-25 Total	ROLLED SHAPE - STRUCTURAL STEEL				
G-23 Total	STEEL				
G-31	MECHANICAL EQUIPMENT				
G-31-17 Total	COMPRESSOR & ACCESSORIES				
G-31-41 Total	FIRE PROTECTION EQUIPMENT & SYSTEM				
G-31-65 Total	HEAT EXCHANGER				
G-31-75 Total	PUMPS				
G-31-83 Total	TANKS				
G-31 Total	MECHANICAL EQUIPMENT				
G-35	PIPING				
G-35-13 Total					
G-35-15 Total					
G-35 Total	PIPING				
G-36	INSULATION				
G-36-13 Total	INSULATION, DUCT & EQUIPMENT				
G-36-15 Total	INSULATION, PIPE				
G-36 Total	INSULATION				
G-41	ELECTRICAL EQUIPMENT				
G-41-33 Total	HEAT TRACING				
G-41 Total	ELECTRICAL EQUIPMENT				
G Total	MECHANICAL - BALANCE OF PLANT				

TRADE SECRET DATA ENDS]

ESTIMATE NO. : 30659B
 PROJECT NO. : 12715.001
 ISSUE DATE : 10/29/2010
 PREP/REV : RCK / MNO
 APPROVED : BJD

OTTER TAIL
 BIG STONE STATION
 CDFG
 CONCEPTUAL COST ESTIMATE

[TRADE SECRET DATA BEGINS

CODE OF ACCOUNT	DESCRIPTION A	EQUIPMENT COST	MATERIAL COST	LABOR COST	TOTAL COST
H	ELECTRICAL - AUXILIARY POWER AND BALANCE OF PLANT ELECTRICAL WORK				
H-11	DEMOLITION WORK				
H-11-41 Total	ELECTRICAL EQUIPMENT				
H-11 Total	DEMOLITION WORK				
H-21	CIVIL WORK				
H-21-17 Total	EARTHWORK, BACKFILL				
H-21-23 Total	EARTHWORK, EXCAVATION				
H-21 Total	CIVIL WORK				
H-22	CONCRETE				
H-22-13 Total	CONCRETE				
H-22-15 Total	EMBEDMENT				
H-22-17 Total	FORMWORK				
H-22-25 Total	REINFORCING				
H-22 Total	CONCRETE				
H-23	STEEL				
H-23-17 Total	GALLERY				
H-23-25 Total	STRUCTURAL STEEL				
H-23 Total	STEEL				
H-24	ARCHITECTURAL				
H-24-35 Total	PRE-ENGINEERED BUILDING				
H-24 Total	ARCHITECTURAL				
H-35	PIPING				
H-35-35 Total	PIPING				
H-35 Total	PIPING				
H-41	ELECTRICAL EQUIPMENT				
H-41-13 Total	CABLE BUS DUCT				
H-41-15 Total	CATHODIC PROTECTION				
H-41-17 Total	COMMUNICATION SYSTEM				
H-41-25 Total	FIRE DETECTION, PROTECTION				
H-41-31 Total	GROUNDING				
H-41-35 Total	LIGHTNING PROTECTION				
H-41-45 Total	MOTOR CONTROL CENTER (MCC)				
H-41-47 Total	PANEL CONTROL, DISTRIBUTION, & RELAY				
H-41-51 Total	POWER TRANSFORMER				
H-41-55 Total	SWITCHGEAR				
H-41-53 Total	SECURITY SYSTEM				
H-41 Total	ELECTRICAL EQUIPMENT				
H-42	RACEWAY, CABLE TRAY, & CONDUIT				
H-42-13 Total	CABLE TRAY				
H-42-15 Total	CONDUITS				
H-42-17 Total	CONDUIT BOX				
H-42 Total	RACEWAY, CABLE TRAY, & CONDUIT				
H-43	CABLE				

TRADE SECRET DATA ENDS]

ESTIMATE NO. : 30859B
PROJECT NO. : 12715.001
ISSUE DATE : 10/29/2010
PREP/REV : RCK / MNO
APPROVED : BJD

OTTER TAIL
BIG STONE STATION
DFGD
CONCEPTUAL COST ESTIMATE

[TRADE SECRET DATA BEGINS

CODE OF ACCOUNT	DESCRIPTION A	EQUIPMENT COST	MATERIAL COST	LABOR COST	TOTAL COST
H-43-13 Total	CONTROL & INSTRUMENT CABLE				
H-43-17 Total	LOW VOLTAGE POWER CABLE & TERMINATIONS				
H-43-21 Total	MEDIUM VOLTAGE POWER CABLE & TERMINATION				
H-43 Total	CABLE				
H-44	CONTROL & INSTRUMENTATION				
H-44-13 Total	CONTROL SYSTEM				
H-44-17 Total	INSTRUMENT PANEL, RACK				
H-44-21 Total	INSTRUMENT				
H-44 Total	CONTROL & INSTRUMENTATION				
H-51	SUBSTATION, SWITCHYARD & TRANSMISSION LINE				
H-51-15 Total	ELECTRICAL EQUIPMENT				
H-51-21 Total	SUBSTATION, SWITCHYARD & TRANSMISSION LINE				
H-51 Total	SUBSTATION, SWITCHYARD & TRANSMISSION LINE				
H-71	PROJECT INDIRECTS				
H-71-55 Total	VENDOR TECHNICAL ADVISORY SERVICE				
H-71 Total	PROJECT INDIRECTS				
H Total	ELECTRICAL - AUXILIARY POWER AND BALANCE OF PLANT ELECTRICAL WORK				
I	MISCELLANEOUS BUILDINGS				
I-21	CIVIL WORK				
I-21-17 Total	EARTHWORK, BACKFILL				
I-21-23 Total	EARTHWORK, EXCAVATION				
I-21 Total	CIVIL WORK				
I-22	CONCRETE				
I-22-13 Total	CONCRETE				
I-22-17 Total	FORMWORK				
I-22-25 Total	REINFORCING				
I-22 Total	CONCRETE				
I-24	ARCHITECTURAL				
I-24-31 Total	MISCELLANEOUS				
I-24-35 Total	PRE-ENGINEERED BUILDING				
I-24 Total	ARCHITECTURAL				
I Total	MISCELLANEOUS BUILDINGS				
J	REMOVAL AND RELOCATION OF EXISTING EQUIPMENT AND INFRASTRUCTURE				
J-11	DEMOLITION WORK				
J-11-22 Total	CONCRETE				
J-11-23 Total	STEEL				
J-11-26 Total	DUCTWORK				
J-11-31 Total	MECHANICAL EQUIPMENT				
J-11 Total	DEMOLITION WORK				
J-21	CIVIL WORK				
J-21-17 Total	EARTHWORK, BACKFILL				
J-21-25 Total	EARTHWORK, EXCAVATION				
J-21 Total	CIVIL WORK				

ESTIMATE NO. : 306598
 PROJECT NO. : 12715.001
 ISSUE DATE : 10/29/2010
 PREP/REV : RCK / MNO
 APPROVED : BJD

OTTER TAIL
 BIG STONE STATION
 DFGD
 CONCEPTUAL COST ESTIMATE

[TRADE SECRET DATA BEGINS

CODE OF ACCOUNT	DESCRIPTION A	EQUIPMENT COST	MATERIAL COST	LABOR COST	TOTAL COST
J-35	PIPING				
J-35-13 Total					
J-35 Total	PIPING				
J Total	REMOVAL AND RELOCATION OF EXISTING EQUIPMENT AND INFRASTRUCTURE				
K	NON POWER PRODUCING ASSETS				
K-81	NON POWER PRODUCING ASSETS				
K-81-13 Total	CONSTRUCTION EQUIPMENT				
K-81 Total	NON POWER PRODUCING ASSETS				
K Total	NON POWER PRODUCING ASSETS				
90	SUBTOTAL DIRECT & CONSTRUCTION INDIRECT COST				
91	OTHER DIRECT & CONSTRUCTION INDIRECT COST				
91-1	SCAFFOLDING - % of ACCT NO. 90				
91-2A	COST DUE TO OVERTIME WORKING 5 -9 HOUR DAYS				
91-21A	COST DUE TO OVERTIME INEFFICIENCY - SPECIFY % INEFFICIENCY				
91-22A	COST DUE TO OVERTIME PAY @1.5 TIMES OVERTIME PAY RATE - SPECIFY % ADDITIONAL HOURS PAID ON ACTUAL HOURS WORKED				
91-23A	COST DUE TO OVERTIME - ADDITIONAL PER DIEM				
91-2B	COST DUE TO OVERTIME WORKING 7 -10 HOUR DAYS				
91-21B	COST DUE TO OVERTIME INEFFICIENCY - SPECIFY % INEFFICIENCY				
91-22B	COST DUE TO OVERTIME PAY @1.5 TIMES OVERTIME PAY RATE - SPECIFY % ADDITIONAL HOURS PAID ON ACTUAL HOURS WORKED				
91-23B	COST DUE TO OVERTIME - ADDITIONAL PER DIEM				
91-3	PER DIEM				
91-4	CONSUMABLES - % of ACCT NO. 90				
91-5	FREIGHT ON MATERIAL - % of ACCT NO. 90				
91-6	FREIGHT ON EQUIPMENT - % of ACCT NO. 90				
91-7	SALES TAX - % of ACCT NO. 90				
91-9	CONTRACTOR'S GENERAL AND ADMINISTRATION EXPENSE - % of ACCT NO. 90				
91-10	CONTRACTOR'S PROFIT - % of ACCT NO. 90				
	91 - SUBTOTAL				
92	TOTAL DIRECT & CONSTRUCTION INDIRECT COST				
93	INDIRECT COST				
93-1	ENGINEERING, PROCUREMENT, & PROJECT SERVICES - % of ACCT NO. 92				
93-2	CONSTRUCTION MANAGEMENT SUPPORT - % of ACCT NO. 92				
93-3	S-U / COMMISSIONING - % of ACCT NO. 92				
93-3	START-UP SPARE PARTS				

TRADE SECRET DATA ENDS]

ESTIMATE NO. : 303598
PROJECT NO. : 12715.001
ISSUE DATE : 10/29/2010
PREP/REV : RCK / MHO
APPROVED : BJD

OTTER TAIL
BIG STONE STATION
DFGD

CONCEPTUAL COST ESTIMATE [TRADE SECRET DATA BEGINS

CODE OF ACCOUNT	DESCRIPTION A	EQUIPMENT COST	MATERIAL COST	LABOR COST	TOTAL COST
93-4	EXCESS LIABILITY INSURANCE				
93-4	SALES TAX ON INDIRECTS				
93-5	OWNERS COST - Allowance				
93-5	OWNERS COST - 2 NEW SCRAPERS				
93-6	EPC FEE - NOT INCLUDED				
	93 - TOTAL INDIRECT COSTS				
94	TOTAL CONTINGENCY				
94-1	CONTINGENCY ON EQUIPMENT				
94-2	CONTINGENCY ON MATERIAL				
94-3	CONTINGENCY ON LABOR				
94-4	CONTINGENCY ON INDIRECT				
95	TOTAL ESCALATION				
95-1	ESCALATION ON EQUIPMENT				
95-2	ESCALATION ON MATERIAL				
95-3	ESCALATION ON LABOR				
95-4	ESCALATION ON INDIRECT				
96	TOTAL CONSTRUCTION COST				
97	INTEREST DURING CONSTRUCTION				
98	TOTAL PROJECT COST				303,694,800

TRADE SECRET DATA ENDS]

ESTIMATE NO. : 30859B
 PROJECT NO. : 12716 001
 ISSUE DATE : 10/29/2010
 PREP/REV : RCK / MNO
 APPROVED : BJD

[TRADE SECRET DATA BEGINS

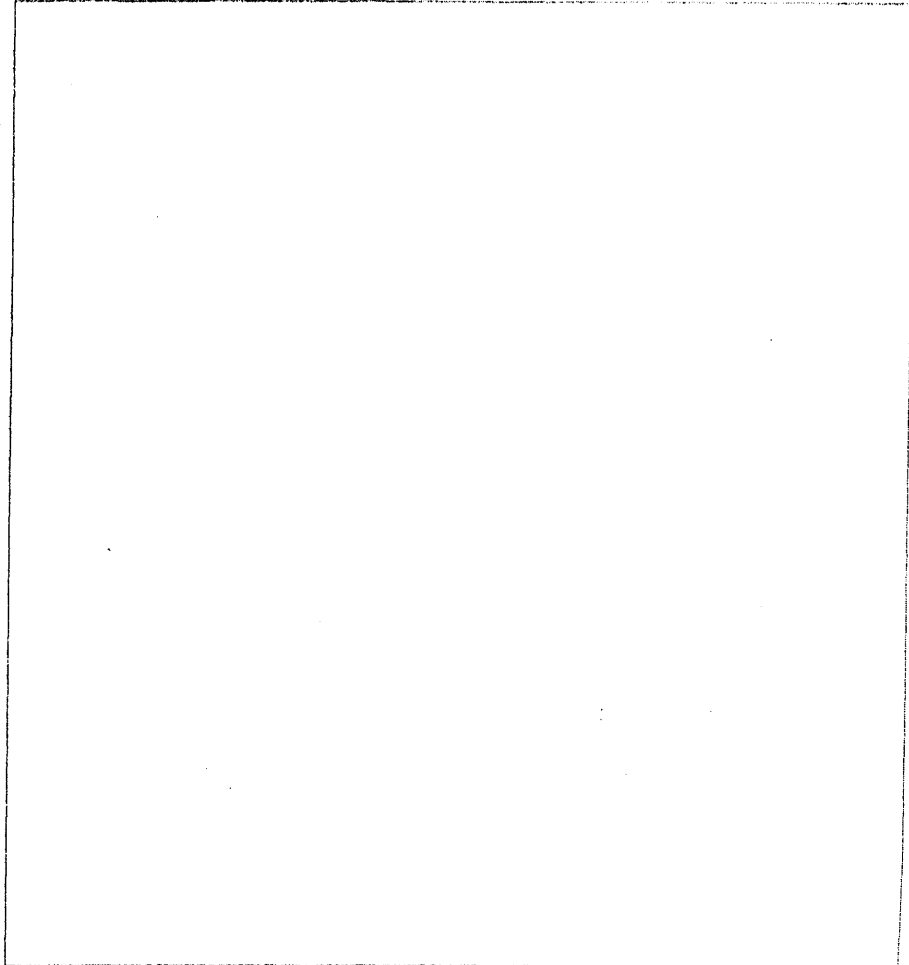
OTTER TAIL
 BIG STONE STATION
 DFGD

CONCEPTUAL COST ESTIMATE

PRICE LEVEL: 2010 LOCATION: Sioux Falls, SD

WAGE RATE: PRODUCTIVITY FACTOR:

CODE OF ACCOUNT	DESCRIPTION A	DESCRIPTION B	QTY	UM	EQUIPMENT COST	MATERIAL COST	MAN-HOURS	CREW WAGE RATE	LABOR COST	TOTAL COST
A	SITE WORK									
A -21	CIVIL WORK									
A -21-13	CLEARING & GRUBBING									
A -21-13-1	CLEARING & GRUBBING	CUT AND STRIP TOPSOIL 6", LAYDOWN AREA								
A -21-13-2	CLEARING & GRUBBING	TOPSOIL STORAGE STOCKPILE (ASSUMES ON SITE STOCKPILING), LAYDOWN AREA								
A -21-13-3	CLEARING & GRUBBING	CUT AND STRIP TOPSOIL, INTERIOR PLANT ROADS AND SURFACING								
	A -21-13 Total									
A -21-17	EARTHWORK, BACKFILL									
A -21-17-1	EARTHWORK, BACKFILL	FILL, INTERIOR PLANT ROADS AND SURFACING								
	A -21-17 Total									
A -21-23	EARTHWORK, EXCAVATION									
A -21-23-1	EARTHWORK, EXCAVATION	CUT, INTERIOR PLANT ROADS AND SURFACING								
	A -21-23 Total									
A -21-41	EROSION AND SEDIMENTATION CONTROL									
A -21-41-1	EROSION AND SEDIMENTATION CONTROL	SILT FENCE, TOTAL FOR STOCKPILE AND LAYDOWN AREA								
	A -21-41 Total									
A -21-43	FENCE WORK									
A -21-43-1	FENCE WORK	FENCING WITH ONE 3-STRAND BARBED WIRE UNIT, FABRIC, POSTS ON 10FT CENTERS, LAYDOWN AREA								
A -21-43-2	FENCE WORK	GATES 50FT WIDE DOUBLE SWING, LAYDOWN AREA								
	A -21-43 Total									
A -21-47	LANDSCAPING									
A -21-47-1	LANDSCAPING	GRASS SEEDING OVER STOCKPILE AREA, LAYDOWN AREA								
A -21-47-2	LANDSCAPING	PLACE TOPSOIL - PREVIOUSLY STOCKPILED, RESTORATION OF DISTURBED AREA								
A -21-47-3	LANDSCAPING	GRASS SEEDING - MULCH AND FERTILIZER, RESTORATION OF LAYDOWN AREA								



TRADE SECRET DATA ENDS]

ESTIMATE N° 59B
 PROJECT N° 15.001
 ISSUE DATE 10/29/2010
 PREP/REV RCK / MNO
 APPROVED BJD

[TRADE SECRET DATA BEGINS]

OTTER ...
 BIG STONE STATION
 DFGD
 CONCEPTUAL COST ESTIMATE

PRICE LEVEL: 2010 LOCATION: Sioux Falls, SD

WAGE RATE: PRODUCTIVITY FACTOR:

CODE OF ACCOUNT	DESCRIPTION A	DESCRIPTION B	QTY	UM	EQUIPMENT COST	MATERIAL COST	MAN-HOURS	CREW WAGE RATE	LABOR COST	TOTAL COST
	A -21-47 Total									
A -21-51	CIVIL WORK MISCELLANEOUS									
A -21-51-1	CIVIL WORK MISCELLANEOUS	GEOTEXTILE MEMBRANE 10 oz/sy, LAYDOWN AREA								
A -21-51-2	CIVIL WORK MISCELLANEOUS	GEOTEXTILE MEMBRANE 10 oz/sy, INTERIOR PLANT ROADS AND SURFACING								
A -21-51-3	CIVIL WORK MISCELLANEOUS	GEOTEXTILE MEMBRANE 10 oz/sy ENTIRE AREA, INTERIOR PLANT ROADS AND SURFACING								
	A -21-51 Total									
A -21-57	ROAD, PARKING AREA, & SURFACED AREA									
A -21-57-1	AGGREGATE SURFACING	AGGREGATE SURFACING 4" THICK OVER ENTIRE AREA, LAYDOWN AREA								
A -21-57-2	AGGREGATE SURFACING	AGGREGATE SURFACING 6" THICK OVER ENTIRE AREA, INTERIOR PLANT ROADS AND SURFACING								
A -21-57-3	CONCRETE ROAD	CONCRETE ROAD 9" THICK, 24FT W X 2600 L, INTERIOR PLANT ROADS AND SURFACING								
A -21-57-4	AGGREGATE SURFACING	CONTRACTOR TRAILER AREA SURFACING INCLUDES : 9" AGGREGATE SURFACING, 12" SUBGRADE PREP, INTERIOR PLANT ROADS AND SURFACING								
	A -21-57 Total									
	A -21 Total									
	A Total									
B	DRY FGD SYSTEM									
B-21	CIVIL WORK									
B-21-17	EARTHWORK, BACKFILL									
B-21-17-1	EARTHWORK, BACKFILL	SDA FOUNDATION								
B-21-17-2	EARTHWORK, BACKFILL	LIME SILO & REAGENT PREP BUILDING, 45'X60'								
B-21-17-3	EARTHWORK, BACKFILL	REAGENT PREP BUILDING, STAIR TOWER								
B-21-17-4	EARTHWORK, BACKFILL	RECYCLE BUILDING, 80'X40'								
B-21-17-5	EARTHWORK, BACKFILL	SLURRY BASIN FOUNDATION								
	B-21-17 Total									
B-21-23	EARTHWORK, EXCAVATION									

TRADE SECRET DATA ENDS]

ESTIMATE NO. : 30859B
 PROJECT NO. : 12715.001
 ISSUE DATE : 10/28/2010
 PREP/REV : RCK / MNO
 APPROVED : BJD

OTTER TAIL
 BIG STONE STATION
 DFGD
 CONCEPTUAL COST ESTIMATE

[TRADE SECRET DATA BEGINS

PRICE LEVEL: 2010 LOCATION: Sioux Falls, SD

WAGE RATE: PRODUCTIVITY FACTOR:

CODE OF ACCOUNT	DESCRIPTION A	DESCRIPTION B	QTY	UM	EQUIPMENT COST	MATERIAL COST	MAN-HOURS	CREW WAGE RATE	LABOR COST	TOTAL COST
B-21-23-1	EARTHWORK, EXCAVATION	SDA FOUNDATION								
B-21-23-2	EARTHWORK, EXCAVATION	LIME SILO & REAGENT PREP BUILDING, 45'X60'								
B-21-23-3	EARTHWORK, EXCAVATION	REAGENT PREP BUILDING, STAIR TOWER								
B-21-23-4	EARTHWORK, EXCAVATION	RECYCLE BUILDING, 80'X40'								
B-21-23-5	EARTHWORK, EXCAVATION	SLURRY BASIN FOUNDATION								
	B-21-23 Total									
	B-21 Total									
B-22	CONCRETE									
B-22-13	CONCRETE									
B-22-13-1	CONCRETE	CONCRETE PIT FOR THE ELEVATOR, LIME SILO (NOT INCLUDED)								
B-22-13-2	CONCRETE	SDA FOUNDATION								
B-22-13-3	CONCRETE	FLOOR SLAB FOR COMMON SDA PENTHOUSE, INCLUDES METAL DECKING AND FORMWORK								
B-22-13-4	CONCRETE	FOUNDATION FOR THE ELEVATOR (W/100#/CY REBAR), SDA SUPERSTRUCTURE								
B-22-13-5	CONCRETE	LIME SILO & REAGENT PREP BUILDING, 45'X60'								
B-22-13-6	CONCRETE	REAGENT PREP BUILDING, STAIR TOWER								
B-22-13-7	CONCRETE	RECYCLE BUILDING, 80'X40'								
B-22-13-8	CONCRETE	LIGHT WEIGHT CONCRETE FILL 1", RECYCLE BUILDING								
B-22-13-9	CONCRETE	FLOOR SLABS INCLUDES METAL DECKING AND FORMWORK, LIME SLURRY PREPARATION / RECYCLE BUILDING								
B-22-13-10	CONCRETE	SLURRY BASIN FOUNDATION								
	B-22-13 Total									
B-22-15	EMBEDMENT									
B-22-15-1	EMBEDMENT	SDA FOUNDATION								
B-22-15-2	EMBEDMENT	LIME SILO & REAGENT PREP BUILDING, 45'X60'								
B-22-15-3	EMBEDMENT	REAGENT PREP BUILDING, STAIR TOWER								
B-22-15-4	EMBEDMENT	RECYCLE BUILDING, 80'X40'								

ESTIMATE NO. 59B
 PROJECT NO. 15.001
 ISSUE DATE 10/29/2010
 PREP/REV RCK / MNO
 APPROVED BJD

(TRADE SECRET DATA BEGINS)

OTTER T...
 BIG STONE STATION
 DFGD
 CONCEPTUAL COST ESTIMATE

PRICE LEVEL: 2010 LOCATION: Sioux Falls, SD

WAGE RATE: PRODUCTIVITY FACTOR:

CODE OF ACCOUNT	DESCRIPTION A	DESCRIPTION B	QTY	UM	EQUIPMENT COST	MATERIAL COST	MAN-HOURS	CREW WAGE RATE	LABOR COST	TOTAL COST
B-22-15-5	EMBEDMENT	SLURRY BASIN FOUNDATION								
	B-22-15 Total									
B-22-17	FORMWORK									
B-22-17-1	FORMWORK	SDA FOUNDATION								
B-22-17-2	FORMWORK	LIME SILO & REAGENT PREP BUILDING, 45'X60'								
B-22-17-3	FORMWORK	RECYCLE BUILDING, 80'X40'								
B-22-17-4	FORMWORK	SLURRY BASIN FOUNDATION								
	B-22-17 Total									
B-22-25	REINFORCING									
B-22-25-1	REINFORCING	SDA FOUNDATION								
B-22-25-2	REINFORCING	LIME SILO & REAGENT PREP BUILDING, 45'X60'								
B-22-25-3	REINFORCING	REAGENT PREP BUILDING, STAIR TOWER								
B-22-25-4	REINFORCING	RECYCLE BUILDING, 80'X40'								
B-22-25-5	REINFORCING	SLURRY BASIN FOUNDATION								
	B-22-25 Total									
	B-22 Total									
B-23	STEEL									
B-23-17	GALLERY									
B-23-17-1	GALLERY	ACCESS GALLERY, SDA								
B-23-17-2	GALLERY	REAGENT HANDLING / PREPARATION								
B-23-17-3	GALLERY	STAIR TOWER 10'X25'X120' H, REAGENT PREP BUILDING								
B-23-17-4	GALLERY	GALLERIES AND LANDINGS, RECYCLE BUILDING								
B-23-17-5	GALLERY	MISCELLANEOUS GALLERIES, SLURRY BASIN								
	B-23-17 Total									
B-23-23	MISCELLANEOUS STEEL ITEMS									
B-23-23-1	MISCELLANEOUS STEEL ITEMS	METAL ROOF DECKING, RECYCLE BUILDING								
	B-23-23 Total									
B-23-25	ROLLED SHAPE - STRUCTURAL STEEL									
B-23-25-1	ROLLED SHAPE - STRUCTURAL STEEL	STEEL STRUCTURE FOR COMMON PENTHOUSE FOR SDA'S (50'X140'X20'); INCLUDED IN DFGD SYSTEM PRICE								

TRADE SECRET DATA ENDS]

ESTIMATE NO. : 30859B
 PROJECT NO. : 12715.001
 ISSUE DATE : 10/29/2010
 PREP/REV : RCK / MNO
 APPROVED : BJD

[TRADE SECRET DATA BEGINS

OTTER TAIL
 BIG STONE STATION
 DFGD
 CONCEPTUAL COST ESTIMATE

PRICE LEVEL: 2010 LOCATION: Sioux Falls, SD

WAGE RATE: PRODUCTIVITY FACTOR:

CODE OF ACCOUNT	DESCRIPTION A	DESCRIPTION B	QTY	UM	EQUIPMENT COST	MATERIAL COST	MAN-HOURS	CREW WAGE RATE	LABOR COST	TOTAL COST
B-23-25-2	ROLLED SHAPE - STRUCTURAL STEEL	SUPPORT STEEL, SDA - MATERIAL IS INCLUDED IN DFGD SYSTEM PRICE								
B-23-25-3	ROLLED SHAPE - STRUCTURAL STEEL	ADDITIONAL SUPPORT STEEL TO RAISE SDA'S 20FT								
B-23-25-4	ROLLED SHAPE - STRUCTURAL STEEL	LIME SILO & REAGENT PREP BUILDING, 45'X60'								
B-23-25-5	ROLLED SHAPE - STRUCTURAL STEEL	REAGENT PREP BUILDING, STAIR TOWER								
B-23-25-6	ROLLED SHAPE - STRUCTURAL STEEL	SUPPORT STEEL FOR RECYCLE STORAGE SILO, RECYCLE BUILDING (40'X80'X125'H)								
	B-23-25 Total									
	B-23 Total									
B-24	ARCHITECTURAL									
B-24-15	DOORS									
B-24-15-1	DOORS	ROLLING OVERHEAD DOORS FOR LIME SILO & REAGENT PREP BUILDING & RECYCLE BUILDING								
	B-24-15 Total									
B-24-17	ELEVATOR									
B-24-17-1	ELEVATOR	TO SDA AND SCR - SIX PERSON RACK AND PINION ELEVATOR, SUBCONTRACT PRICE INCLUDES LABOR								
	B-24-17 Total									
B-24-25	LOUVER & VENT									
B-24-25-1	LOUVER & VENT	LIME SILO & REAGENT PREP BUILDING								
B-24-25-2	LOUVER & VENT	RECYCLE BUILDING	1							
	B-24-25 Total									
B-24-33	PLUMBING FIXTURES									
B-24-33-1	PLUMBING FIXTURES	EYEWASH STATION AND SHOWER, LIME SILO & REAGENT PREP BUILDING, W 50 KW HTRS								
B-24-33-2	PLUMBING FIXTURES	EYEWASH STATION AND SHOWER, RECYCLE BUILDING, W 50 KW HTRS								
	B-24-33 Total									
B-24-37	ROOFING									

TRADE SECRET DATA ENDS]

ESTIMATE NO 15B
 PROJECT NO 15.001
 ISSUE DATE 10/29/2010
 PREP/REV RCK / MNO
 APPROVED BJD

OTTER TANK
 BIG STONE STATION
 DFGD
 [TRADE SECRET DATA BEGINS] CONCEPTUAL COST ESTIMATE

PRICE LEVEL: 2010 LOCATION: Sioux Falls, SD WAGE RATE: PRODUCTIVITY FACTOR:

CODE OF ACCOUNT	DESCRIPTION A	DESCRIPTION B	QTY	UM	EQUIPMENT COST	MATERIAL COST	MAN-HOURS	CREW WAGE RATE	LABOR COST	TOTAL COST
B-24-37-1	ROOFING	SDA ROOF INSULATION BETWEEN PENTHOUSE FLOOR AND SDA ROOF TOTAL FOR 2 SDA'S								
B-24-37-2	ROOFING	COMMON SDA PENTHOUSE, STANDING SEAM TYPE								
B-24-37-3	ROOFING	RIGID ROOF INSULATION, 2" THICK, RECYCLE BUILDING								
B-24-37-4	ROOFING	ROOFING (4-PLY TAR & GRAVEL), RECYCLE BUILDING								
B-24-37-5	ROOFING	ROOF FLASHING, RECYCLE BUILDING								
B-24-37-6	ROOFING	REAGENT PREP BUILDING - STANDING SEAM TYPE								
	B-24-37 Total									
B-24-41	SIDING									
B-24-41-1	SIDING	INSULATED METAL SIDING, COMMON SDA PENTHOUSE								
B-24-41-2	SIDING	INSULATED SIDING FOR SDA HOPPER ENCLOSURE, SDA								
B-24-41-3	SIDING	INSULATED METAL SIDING, RECYCLE BUILDING								
B-24-41-4	SIDING	LIME SILO & REAGENT PREP BUILDING, 45'X60'								
	B-24-41 Total									
	B-24 Total									
B-26	MISCELLANEOUS STRUCTURAL ITEM									
B-26-15	STEEL SILO									
B-26-15-1	STEEL SILO	LIME STORAGE SILO 600 TN CAPACITY								
	B-26-15 Total									
	B-26 Total									
B-27	PAINTING & COATING									
B-27-17	PAINTING									
B-27-17-1	PAINTING	TOUCH-UP PAINTING SDA SUPPORT STEEL AND ACCESS GALLERIES								
	B-27-17 Total									
	B-27 Total									
B-31	MECHANICAL EQUIPMENT									
B-31-41	FIRE PROTECTION EQUIPMENT & SYSTEM									
B-31-41-1	FIRE PROTECTION EQUIPMENT	STANDPIPE AND HOSE STATION, ABSORBER AREA								

ESTIMATE NO. : 30859B
 PROJECT NO. : 12715.001
 ISSUE DATE : 10/29/2010
 PREP/REV : RCK / MNO
 APPROVED : BJD

OTTER TAIL
 BIG STONE STATION
 DFGD

[TRADE SECRET DATA BEGINS] CONCEPTUAL COST ESTIMATE

PRICE LEVEL: 2010 LOCATION: Sioux Falls, SD

WAGE RATE: PRODUCTIVITY FACTOR:

CODE OF ACCOUNT	DESCRIPTION A	DESCRIPTION B	QTY	UM	EQUIPMENT COST	MATERIAL COST	MAN-HOURS	CREW WAGE RATE	LABOR COST	TOTAL COST
B-31-41-2	FIRE PROTECTION EQUIPMENT	STANDPIPE & HOSE STATION, SDA PENTHOUSE								
B-31-41-3	FIRE PROTECTION EQUIPMENT	STANDPIPE & HOSE STATION, LIME SILO & REAGENT PREP BUILDING, 45'X60'								
B-31-41-4	FIRE PROTECTION EQUIPMENT	STANDPIPE & HOSE STATION, RECYCLE BUILDING								
	B-31-41 Total									
B-31-45	FLUE GAS CLEANUP, FGD EQUIPMENT									
B-31-45-1	DRY FGD SYSTEM	DRY FGD SYSTEM								
B-31-45-2	DRY FGD SYSTEM	SPRAY DRYERS, ATOMIZERS, HEAD TANK, PENTHOUSE AND OTHER ANCILLARY EQUIPMENT INCLUDING SPARE ATOMIZER, ABSORBER AREA - INCLUDED IN DFGD SYSTEM PRICE								
B-31-45-3	DRY FGD SYSTEM	DUMPSTER, UNDER SDA HOPPER, ABSORBER AREA								
B-31-45-4	DRY FGD SYSTEM	REAGENT HANDLING / PREPARATION - MECHANICAL - INCLUDED IN DFGD SYSTEM PRICE								
B-31-45-5	DRY FGD SYSTEM	REAGENT PREP PROCESS EQUIPMENT - INCLUDED IN DFGD SYSTEM PRICE								
B-31-45-6	DRY FGD SYSTEM	SLAKERS THROUGH THE LIME SLURRY STORAGE TANKS, PUMPS, GRIT CONVEYORS AND ANY OTHER ANCILLARY SYSTEMS - INCLUDED IN DFGD SYSTEM PRICE								
B-31-45-7	DRY FGD SYSTEM	ASH RECYCLING SYSTEM; BLOWERS, FEEDERS, SLURRY MIX TANKS, AGITATORS AND FEED PUMPS. (4 HOUR SILO INCLUDED IN VENDOR QUOTE) - INCLUDED IN DFGD SYSTEM PRICE								
B-31-45-8	DRY FGD SYSTEM	PIPING & VALVES TO CONVEY RECYCLED ASH TO RECYCLE BIN								
B-31-45-9	FLOW STUDY	INCLUDED IN VENDORS PROPOSAL								
	B-31-45 Total									
	B-31 Total									

TRADE SECRET DATA ENDS

ESTIMATE N 59B
 PROJECT NO 715.001
 ISSUE DATE 10/29/2010
 PREP/REV RCK / MNO
 APPROVED BJD

OTTER TAIL
 BIG STONE STATION
 DFGD

[TRADE SECRET DATA BEGINS CONCEPTUAL COST ESTIMATE

PRICE LEVEL: 2010 LOCATION: Sioux Falls, SD

WAGE RATE: PRODUCTIVITY FACTOR:

CODE OF ACCOUNT	DESCRIPTION A	DESCRIPTION B	QTY	UM	EQUIPMENT COST	MATERIAL COST	MAN-HOURS	CREW WAGE RATE	LABOR COST	TOTAL COST
B-33	MATERIAL HANDLING EQUIPMENT									
B-33-43	PNEUMATIC HANDLING SYSTEM									
B-33-43-1	PNEUMATIC HANDLING SYSTEM	PNEUMATIC LIME TRUCK UNLOADING EQUIPMENT/PIPING TO LIME STORAGE SILO								
	B-33-43 Total									
B-33-57	VACUUM CLEANING SYSTEM									
B-33-57-1	VACUUM CLEANING SYSTEM	VACUUM CLEANING SYSTEM, ONE HEADER LENGTH OF PENTHOUSE AND PIPE DOWN TO GRADE - INCLUDES MISC HOSE CONNECTIONS WITH TRUCK HOOK UP AND PURCHASED STUB ENDS. PIPING IS INCLUDED IN ACCOUNT C-35-13-1								
	B-33-57 Total									
	B-33 Total									
B-34	HVAC									
B-34-41	FANS									
B-34-41-1	FANS	ROOF VENTILATORS, LIME SILO & REAGENT PREP BUILDING								
B-34-41-2	FANS	ROOF VENTILATORS, RECYCLE BUILDING								
	B-34-41 Total									
B-34-53	UNIT HEATER									
B-34-53-1	STEAM UNIT HEATER - WALL MOUNT, 150,000 BTU EA	H & V, RECYCLE BUILDING. INCLUDES 2 UNIT HEATERS AND 400 FT PIPING ALLOWANCE								
B-34-53-2	STEAM UNIT HEATER - WALL MOUNT, 150,000 BTU EA	LIME SILO & REAGENT PREP BUILDING, 45'X60' INCLUDES 2 UNIT HEATERS AND 400 FT PIPING ALLOWANCE								
B-34-53-3	STEAM UNIT HEATER - WALL MOUNT, 150,000 BTU EA	SDA, INCLUDES 4 UNIT HEATERS AND 700 FT PIPING ALLOWANCE								
	B-34-53 Total									
	B-34 Total									
B-35	PIPING									
B-35-13	LARGE BORE PIPING									
B-35-13-1	LARGE BORE PIPING	ROOF DRAINS, LIME SILO & REAGENT PREP BUILDING								

TRADE SECRET DATA ENDS]

ESTIMATE NO. : 30856B
PROJECT NO. : 12715.001
ISSUE DATE : 10/29/2010
PREP/REV : RCK / MNO
APPROVED : BJD

(TRADE SECRET DATA BEGINS

OTTER TAIL
BIG STONE STATION
DFGD
CONCEPTUAL COST ESTIMATE

PRICE LEVEL: 2010 LOCATION: Sioux Falls, SD

WAGE RATE:

PRODUCTIVITY FACTOR:

CODE OF ACCOUNT	DESCRIPTION A	DESCRIPTION B	QTY	UM	EQUIPMENT COST	MATERIAL COST	MAN-HOURS	CREW WAGE RATE	LABOR COST	TOTAL COST
B-35-13-2	LARGE BORE PIPING	ROOF DRAINS, RECYCLE BUILDING								
B-35-13-3	LARGE BORE PIPING	FLOOR DRAINS, LIME SILO & REAGENT PREP BUILDING								
B-35-13-4	LARGE BORE PIPING	FLOOR DRAINS, RECYCLE BUILDING								
B-35-13-5	LARGE BORE PIPING	4" SCH 40 CS BH VACUUM PIPE INCLUDING FITTINGS & SUPPORTS								
	B-35-13 Total									
	B-35 Total									
B-36	INSULATION									
B-36-13	INSULATION, DUCT & EQUIPMENT									
B-36-13-1	INSULATION, DUCT & EQUIPMENT	SHELL INSULATION, SUBCONTRACT COST, SDA								
	B-36-13 Total									
	B-36 Total									
B-41	ELECTRICAL EQUIPMENT									
B-41-37	LIGHTING ACCESSORY (FIXTURE)									
B-41-37-1	LIGHTING ACCESSORY (FIXTURE)	ELECTRICAL SERVICE & LIGHTING, SDA SUPERSTRUCTURE								
B-41-37-2	LIGHTING ACCESSORY (FIXTURE)	ELECTRICAL SERVICE & LIGHTING, LIME SILO & REAGENT PREP BUILDING								
B-41-37-3	LIGHTING ACCESSORY (FIXTURE)	ELECTRICAL SERVICE & LIGHTING, RECYCLE BUILDING								
	B-41-37 Total									
B-41-99	ELECTRICAL WORK									
B-41-99-1	ELECTRICAL WORK	ELECTRICAL WORK FOR THE ELEVATOR, SDA								
	B-41-99 Total									
	B-41 Total									
	B Total									
C	FABRIC FILTER									
C-21	CIVIL WORK									
C-21-17	EARTHWORK, BACKFILL									
C-21-17-1	EARTHWORK, BACKFILL	FABRIC FILTER BAGHOUSE FOUNDATION								
	C-21-17 Total									
C-21-23	EARTHWORK, EXCAVATION									
C-21-23-1	EARTHWORK, EXCAVATION	FABRIC FILTER BAGHOUSE FOUNDATION								

ESTIMATE NO. 19B
 PROJECT NO. 15.001
 ISSUE DATE : 10/29/2010
 PREP/REV : RCK / MNO
 APPROVED : BJD

OTTER TAIL
 BIG STONE STATION
 DFGD
 [TRADE SECRET DATA BEGINS] CONCEPTUAL COST ESTIMATE

PRICE LEVEL: 2010 LOCATION: Sioux Falls, SD

WAGE RATE: PRODUCTIVITY FACTOR:

CODE OF ACCOUNT	DESCRIPTION A	DESCRIPTION B	QTY	UM	EQUIPMENT COST	MATERIAL COST	MAN-HOURS	CREW WAGE RATE	LABOR COST	TOTAL COST
	C-21-23 Total									
	C-21 Total									
C-22	CONCRETE									
C-22-13	CONCRETE									
C-22-13-1	CONCRETE	CONCRETE FLOOR SLAB FOR BAGHOUSE PENTHOUSE (NOT INCLUDED)								
C-22-13-2	CONCRETE	FABRIC FILTER BAGHOUSE FOUNDATION								
	C-22-13 Total									
C-22-15	EMBEDMENT									
C-22-15-1	EMBEDMENT	FABRIC FILTER BAGHOUSE FOUNDATION								
	C-22-15 Total									
C-22-17	FORMWORK									
C-22-17-1	FORMWORK	FABRIC FILTER BAGHOUSE FOUNDATION								
	C-22-17 Total									
C-22-25	REINFORCING									
C-22-25-1	REINFORCING	FABRIC FILTER BAGHOUSE FOUNDATION								
	C-22-25 Total									
	C-22 Total									
C-23	STEEL									
C-23-17	GALLERY									
C-23-17-1	GALLERY	FABRIC FILTER BAGHOUSE - INCLUDED IN FABRIC FILTER SYSTEM								
	C-23-17 Total									
C-23-25	ROLLED SHAPE - STRUCTURAL STEEL									
C-23-25-1	ROLLED SHAPE - STRUCTURAL STEEL	HOPPER ENCLOSURE SUPPORT STEEL, GIRTS AND PURLINS								
C-23-25-2	ROLLED SHAPE - STRUCTURAL STEEL	FABRIC FILTER BAGHOUSE - MATERIAL IS INCLUDED IN FABRIC FILTER SYSTEM								
	C-23-25 Total									
	C-23 Total									
C-24	ARCHITECTURAL									
C-24-37	ROOFING									

TRADE SECRET DATA ENDS]

ESTIMATE NO.: 30858B
 PROJECT NO.: 12715.001
 ISSUE DATE: 10/29/2010
 PREP/REV: RCK / MWO
 APPROVED: BJD

[TRADE SECRET DATA BEGINS

OTTER TAIL
 BIG STONE STATION
 DFGD
 CONCEPTUAL COST ESTIMATE

PRICE LEVEL: 2010 LOCATION: Sioux Falls, SD

WAGE RATE: PRODUCTIVITY FACTOR:

CODE OF ACCOUNT	DESCRIPTION A	DESCRIPTION B	QTY	UM	EQUIPMENT COST	MATERIAL COST	MAN-HOURS	CREW WAGE RATE	LABOR COST	TOTAL COST
C-24-37-1	ROOFING	ROOFING FOR BAGHOUSE PENTHOUSE INCLUDING 2" OF INSULATION, STANDING SEAM TYPE. TOTAL FOR 2 BAGHOUSE STRUCTURES								
	C-24-37 Total									
C-24-41	SIDING									
C-24-41-1	SIDING	INSULATED METAL SIDING FOR BAGHOUSE PENTHOUSE, 2" THICK INSULATION								
C-24-41-2	SIDING	SIDING FOR BAGHOUSE HOPPER ENCLOSURE INCLUDING 2" INSULATION								
	C-24-41 Total									
	C-24 Total									
C-27	PAINTING & COATING									
C-27-13	COATING									
C-27-13-1	COATING	INTERNAL COATING; 12,800 SF, AROUND DOORS AND OPENINGS, 25 MILS DFT FLUEGARD. SUBCONTRACT COST INCLUDES MATERIAL AND LABOR.								
	C-27-13 Total									
C-27-17	PAINTING									
C-27-17-1	PAINTING	TOUCH-UP PAINTING, FABRIC FILTER BAGHOUSE								
	C-27-17 Total									
	C-27 Total									
C-31	MECHANICAL EQUIPMENT									
C-31-41	FIRE PROTECTION EQUIPMENT & SYSTEM									
C-31-41-1	FIRE PROTECTION EQUIPMENT & SYSTEM	FIRE PROTECTION FOR PENTHOUSE, STANDPIPE & HOSE STATION								
C-31-41-2	FIRE PROTECTION EQUIPMENT & SYSTEM	FIRE PROTECTION FOR HOPPER ENCLOSURE, STANDPIPE & HOSE STATION								
	C-31-41 Total									
C-31-57	FLUE GAS CLEANUP, PARTICULATE REMOVAL EQUIPMENT									

TRADE SECRET DATA ENDS]

ESTIMATE NO. 198
 PROJECT NO. 15 001
 ISSUE DATE 10/29/2010
 PREP/REV RCK /MNO
 APPROVED BJD

[TRADE SECRET DATA BEGINS

OTTER
 BIG STONE STATION
 DFGD

CONCEPTUAL COST ESTIMATE

PRICE LEVEL: 2010 LOCATION: Sioux Falls, SD

WAGE RATE: PRODUCTIVITY FACTOR:

CODE OF ACCOUNT	DESCRIPTION A	DESCRIPTION B	QTY	UM	EQUIPMENT COST	MATERIAL COST	MAN-HOURS	CREW WAGE RATE	LABOR COST	TOTAL COST
C-31-57-1	FLUE GAS CLEANUP, PARTICULATE REMOVAL EQUIPMENT	FABRIC FILTER SYSTEM INCLUDING BYPASS, DAMPERS, HOPPER HEATERS, VENT FAN, HOIST AND TROLLEY BEAM, PENTHOUSE SUPERSTRUCTURE w/ 8 COMPARTMENTS (EXCLUDES AIR COMPRESSORS - USE EXISTING)								
	C-31-57 Total									
	C-31 Total									
C-33	MATERIAL HANDLING EQUIPMENT									
C-33-57	VACUUM CLEANING SYSTEM									
C-33-57-1	VACUUM CLEANING SYSTEM	VACUUM CLEANING SYSTEM, ONE HEADER LENGTH OF PENTHOUSE AND PIPE DOWN TO GRADE - INCLUDES MISC HOSE CONNECTIONS WITH TRUCK HOOK UP AND PURCHASED STUB ENDS. PIPING IS INCLUDED IN ACCOUNT C-35-13-1								
	C-33-57 Total									
	C-33 Total									
C-35	PIPING									
C-35-13	LARGE BORE PIPING									
C-35-13-1	LARGE BORE PIPING	4" SCH 40 CS BH VACUUM PIPE INCLUDING FITTINGS & SUPPORTS								
C-35-13-2	LARGE BORE PIPING	3" SCH 40 CS BH CLEAN AIR PIPING INCLUDING FITTINGS & HOSES & SUPPORTS								
	C-35-13 Total									
	C-35 Total									
C-36	INSULATION									
C-36-13	INSULATION, DUCT & EQUIPMENT									
C-36-13-1	INSULATION, DUCT & EQUIPMENT	INSULATION FOR FABRIC FILTER BAGHOUSE 6" THICK, SUBCONTRACT COST INCLUDES MATERIAL AND LABOR								
	C-36-13 Total									
	C-36 Total									
C-41	ELECTRICAL EQUIPMENT									
C-41-37	LIGHTING ACCESSORY (FIXTURE)									

TRADE SECRET DATA ENDS]

ESTIMATE NO. : 308598
 PROJECT NO. : 12715.001
 ISSUE DATE : 10/29/2010
 PREP/REV : RCK / MNO
 APPROVED : BJD

[TRADE SECRET DATA BEGINS

OTTER TAIL
 BIG STONE STATION
 DFGD
 CONCEPTUAL COST ESTIMATE

PRICE LEVEL: 2010 LOCATION: Sioux Falls, SD

WAGE RATE: PRODUCTIVITY FACTOR:

CODE OF ACCOUNT	DESCRIPTION A	DESCRIPTION B	QTY	UM	EQUIPMENT COST	MATERIAL COST	MAN-HOURS	CREW WAGE RATE	LABOR COST	TOTAL COST
C-41-37.1	LIGHTING ACCESSORY (FIXTURE)	BUILDING SERVICES, H&V AND LIGHTING, FABRIC FILTER BAGHOUSE PENTHOUSE AND HOPPER SKIRTS ENCLOSURES								
	C-41-37 Total									
	C-41 Total									
	C Total									
D	SOLID WASTE (FGD AND FLY ASH) HANDLING SYSTEM									
D-21	CIVIL WORK									
D-21-17	EARTHWORK, BACKFILL									
D-21-17-1	EARTHWORK, BACKFILL	FOUNDATION, SOLID WASTE SILO								
D-21-17-2	EARTHWORK, BACKFILL	WASTE BLOWER BUILDING FOUNDATION								
	D-21-17 Total									
D-21-23	EARTHWORK, EXCAVATION									
D-21-23-1	EARTHWORK, EXCAVATION	FOUNDATION, SOLID WASTE SILO								
D-21-23-2	EARTHWORK, EXCAVATION	WASTE BLOWER BUILDING FOUNDATION								
	D-21-23 Total									
	D-21 Total									
D-22	CONCRETE									
D-22-13	CONCRETE									
D-22-13-1	CONCRETE	FOUNDATION, SOLID WASTE SILO								
D-22-13-2	CONCRETE	WASTE BLOWER BUILDING FOUNDATION								
	D-22-13 Total									
D-22-15	EMBEDMENT									
D-22-15-1	EMBEDMENT	FOUNDATION, SOLID WASTE SILO								
D-22-15-2	EMBEDMENT	WASTE BLOWER BUILDING FOUNDATION								
	D-22-15 Total									
D-22-17	FORMWORK									
D-22-17-1	FORMWORK	FOUNDATION, SOLID WASTE SILO								
D-22-17-2	FORMWORK	WASTE BLOWER BUILDING FOUNDATION								
	D-22-17 Total									

ESTIMATE NO. 98
PROJECT NO. 15.001
ISSUE DATE 10/29/2010
PREP/REV RCK/MNO
APPROVED BJD

[TRADE SECRET DATA BEGINS]

OTTER DALE
BIG STONE STATION
DFGD

CONCEPTUAL COST ESTIMATE

PRICE LEVEL: 2010 LOCATION: Sioux Falls, SD

WAGE RATE: PRODUCTIVITY FACTOR:

CODE OF ACCOUNT	DESCRIPTION A	DESCRIPTION B	QTY	UM	EQUIPMENT COST	MATERIAL COST	MAN-HOURS	CREW WAGE RATE	LABOR COST	TOTAL COST
D-22-25	REINFORCING									
D-22-25-1	REINFORCING	FOUNDATION, SOLID WASTE SILO								
D-22-25-2	REINFORCING	WASTE BLOWER BUILDING FOUNDATION								
	D-22-25 Total									
	D-22 Total									
D-23	STEEL									
D-23-25	ROLLED SHAPE - STRUCTURAL STEEL									
D-23-25-1	ROLLED SHAPE - STRUCTURAL STEEL	ADDITIONAL SUPPORT STEEL FOR WASTE ASH PIPES OUTSIDE OF PIPE RACK, WASTE BLOWER BUILDING								
	D-23-25 Total									
D-23-17	GALLERY									
D-23-17-1	GALLERY	STAIR TOWER FOR WASTE ASH SILO (10'X15'X80')								
D-23-17-2	GALLERY	WASTE ASH SILO								
	D-23-17 Total									
	D-23 Total									
D-24	ARCHITECTURAL									
D-24-33	PLUMBING FIXTURES									
D-24-33-1	PLUMBING FIXTURES	EYEWASH STATION AND SHOWER, REAGENT (LIME AND RECYCLE) BUILDING, W 50 KW HTRS								
	D-24-33 Total									
D-24-35	PRE-ENGINEERED BUILDING									
D-24-35-1	PRE-ENGINEERED BUILDING	(30'X60'X20' H) INCLUDES H&V AND LIGHTING, WASTE BLOWER BUILDING								
	D-24-35 Total									
	D-24 Total									
D-26	MISCELLANEOUS STRUCTURAL ITEM									
D-26-15	STEEL SILO									
D-26-15-1	STEEL SILO	SOLID WASTE 35' DIA. SILO, SOLID WASTE HANDLING SYSTEM								
	D-26-15 Total									
	D-26 Total									
D-33	MATERIAL HANDLING EQUIPMENT									
D-33-13	ASH HANDLING EQUIPMENT									

TRADE SECRET DATA ENDS]

ESTIMATE NO.: 308598
 PROJECT NO.: 12715 001
 ISSUE DATE: 10/29/2010
 PREP/REV: RCK / MNO
 APPROVED: BJD

OTTER TAIL
 BIG STONE STATION
 DFGD
 CONCEPTUAL COST ESTIMATE

[TRADE SECRET DATA BEGINS

PRICE LEVEL: 2010 LOCATION: Sioux Falls, SD

WAGE RATE: PRODUCTIVITY FACTOR:

CODE OF ACCOUNT	DESCRIPTION A	DESCRIPTION B	QTY	UM	EQUIPMENT COST	MATERIAL COST	MAN-HOURS	CREW WAGE RATE	LABOR COST	TOTAL COST
D-33-13-1	ASH HANDLING EQUIPMENT	PNEUMATIC SYSTEM INCLUDES: MECHANICAL EQUIPMENT INCLUDING NUVA FEEDERS, MECHANICAL BLOWER, FLUIDIZING SYSTEM AND BLOWERS, DUSTLESS UNLOADING, ISOLATION VALVES AND TRANSPORT AIR PIPING FROM FF TO FILTER SEPARATORS, BIN VENTS, ALL AIR & ASH TRANSPORT PIPING								
	D-33-13 Total									
	D-33 Total									
D-41	ELECTRICAL EQUIPMENT									
D-41-37	LIGHTING ACCESSORY (FIXTURE)									
D-41-37-1	LIGHTING ACCESSORY (FIXTURE)	BUILDING SERVICES, H&V AND LIGHTING, WASTE BLOWER BUILDING								
D-41-37-2	LIGHTING ACCESSORY (FIXTURE)	ELECTRICAL SERVICES AND LIGHTING, WASTE ASH SILO & STAIR TOWER								
	D-41-37 Total									
	D-41 Total									
	D Total									
E	DUCTWORK FOR FLUE GAS SYSTEM									
E-21	CIVIL WORK									
E-21-17	EARTHWORK, BACKFILL									
E-21-17-1	EARTHWORK, BACKFILL	DUCTWORK SUPPORT FOUNDATIONS, FLUE GAS SYSTEM								
	E-21-17 Total									
E-21-23	EARTHWORK, EXCAVATION									
E-21-23-1	EARTHWORK, EXCAVATION	DUCTWORK SUPPORT FOUNDATIONS, FLUE GAS SYSTEM								
E-21-23-2	EARTHWORK, EXCAVATION	VFD ENCLOSURE (30'X60'), FLUE GAS SYSTEM								
	E-21-23 Total									
	E-21 Total									
E-22	CONCRETE									
E-22-13	CONCRETE									
E-22-13-1	CONCRETE	DUCTWORK SUPPORT FOUNDATIONS, FLUE GAS SYSTEM								

TRADE SECRET DATA ENDS]

ESTIMATE NO 9B
 PROJECT NO 15 001
 ISSUE DATE 10/29/2010
 PREP/REV RCK / MNO
 APPROVED BJD

[TRADE SECRET DATA BEGINS

OTTER 11...
 BIG STONE STATION
 DFGD
 CONCEPTUAL COST ESTIMATE

PRICE LEVEL: 2010 LOCATION: Sioux Falls, SD

WAGE RATE: PRODUCTIVITY FACTOR:

CODE OF ACCOUNT	DESCRIPTION A	DESCRIPTION B	QTY	UM	EQUIPMENT COST	MATERIAL COST	MAN-HOURS	CREW WAGE RATE	LABOR COST	TOTAL COST
	E-22-13 Total									
E-22-15	EMBEDMENT									
E-22-15-1	EMBEDMENT	DUCTWORK SUPPORT FOUNDATIONS, FLUE GAS SYSTEM								
	E-22-15 Total									
E-22-17	FORMWORK									
E-22-17-1	FORMWORK	DUCTWORK SUPPORT FOUNDATIONS, FLUE GAS SYSTEM								
	E-22-17 Total									
E-22-25	REINFORCING									
E-22-25-1	REINFORCING	DUCTWORK SUPPORT FOUNDATIONS, FLUE GAS SYSTEM								
	E-22-25 Total									
	E-22 Total									
E-23	STEEL									
E-23-15	DUCTWORK									
E-23-15-1	DUCTWORK	DUCTWORK STEEL, INCLUDING PLATE, STIFFENERS, INTERNAL BRACING, TURNING VANES AND WALKWAY GRATING, AIR HEATER OUTLET TO SPRAY DRY ABSORBER INLET DUCT								
E-23-15-2	DUCTWORK	INCLUDED WITH FGD EQUIPMENT COST								
E-23-15-3	DUCTWORK	DUCTWORK STEEL, INCLUDING PLATE, STIFFENERS, INTERNAL BRACING, TURNING VANES AND WALKWAY GRATING, FABRIC FILTER OUTLET DUCT TO ID FANS								
E-23-15-4	DUCTWORK	DUCTWORK STEEL, INCLUDING PLATE, STIFFENERS, INTERNAL BRACING, TURNING VANES AND WALKWAY GRATING, ID FAN OUTLET TO CHIMNEY BREECH								
	E-23-15 Total									
E-23-17	GALLERY									

TRADE SECRET DATA ENDS]

ESTIMATE NO. 30958B
 PROJECT NO 12715 001
 ISSUE DATE 10/29/2010
 PREP/REV RCK / MNO
 APPROVED BJD

(TRADE SECRET DATA BEGINS)

OTTER TAIL
 BIG STONE STATION
 DFGD
 CONCEPTUAL COST ESTIMATE

PRICE LEVEL: 2010 LOCATION: Sioux Falls, SD

WAGE RATE: [] PRODUCTIVITY FACTOR: []

CODE OF ACCOUNT	DESCRIPTION A	DESCRIPTION B	QTY	UM	EQUIPMENT COST	MATERIAL COST	MAN-HOURS	CREW WAGE RATE	LABOR COST	TOTAL COST
E-23-17-1	GALLERY	ACCESS GALLERY FOR ALL INLET AND OUTLET DUCTWORK, FLUE GAS SYSTEM								
	E-23-17 Total									
E-23-25	ROLLED SHAPE - STRUCTURAL STEEL									
E-23-25-1	STRUCTURAL STEEL	DUCTWORK SUPPORT STEEL, FLUE GAS SYSTEM								
	E-23-25 Total									
	E-23 Total									
E-31	MECHANICAL EQUIPMENT									
E-31-27	DAMPERS & ACCESSORIES									
E-31-27-1	DAMPERS & ACCESSORIES	3 DAMPERS ON EACH SPRAY DRYER INLET (TOTAL OF 6), AIR HEATER OUTLET TO SPRAY DRY ABSORBER INLET DUCT (8'X14', SINGLE LOUVER)								
E-31-27-2	DAMPERS & ACCESSORIES	SINGLE LOUVER DAMPERS FOR SDA ISOLATION (27'X10'), AIR HEATER OUTLET TO SPRAY DRY ABSORBER INLET DUCT								
E-31-27-3	DAMPERS & ACCESSORIES	DAMPERS, SPRAY DRYER ABSORBER OUTLET TO FABRIC FILTER INLET - NOT REQUIRED								
E-31-27-4	DAMPERS & ACCESSORIES	FABRIC FILTER OUTLET DUCT TO ID FANS - INCLUDED WITH ID FAN REPLACEMENT								
E-31-27-5	DAMPERS & ACCESSORIES	ID FAN OUTLET TO CHIMNEY BREECH, INCLUDED WITH ID FAN REPLACEMENT								
E-31-27-6	DAMPERS & ACCESSORIES	ID FAN ISOLATION DAMPERS, SINGLE LOUVER TYPE DAMPER ASSEMBLY (18'X18'), ID FANS REPLACEMENT								
	E-31-27 Total									
E-31-33	EXPANSION JOINT									
E-31-33-1	EXPANSION JOINT	AIR HEATER OUTLET TO SPRAY DRY ABSORBER INLET DUCT								
E-31-33-2	EXPANSION JOINT	SPRAY DRYER ABSORBER OUTLET TO FABRIC FILTER INLET								
E-31-33-3	EXPANSION JOINT	FABRIC FILTER OUTLET DUCT TO ID FANS								

TRADE SECRET DATA ENDS

ESTIMATE NO 98
 PROJECT NO 15 001
 ISSUE DATE 10/29/2010
 PREP/REV RCK / MNO
 APPROVED BJD

[TRADE SECRET DATA BEGINS

OTTER TAIL
 BIG STONE STATION
 DFGD
 CONCEPTUAL COST ESTIMATE

PRICE LEVEL: 2010 LOCATION: Sioux Falls, SD

WAGE RATE PRODUCTIVITY FACTOR

CODE OF ACCOUNT	DESCRIPTION A	DESCRIPTION B	QTY	UM	EQUIPMENT COST	MATERIAL COST	MAN-HOURS	CREW WAGE RATE	LABOR COST	TOTAL COST
E-31-33-4	EXPANSION JOINT	ID FAN OUTLET TO CHIMNEY BREECH								
	E-31-33 Total									
	E-31 Total									
E-36	INSULATION									
E-36-13	INSULATION, DUCT & EQUIPMENT									
E-36-13-1	INSULATION, DUCT & EQUIPMENT	INSULATION AND LAGGING, AIR HEATER OUTLET TO SPRAY DRY ABSORBER INLET DUCT								
E-36-13-2	INSULATION, DUCT & EQUIPMENT	INSULATION AND LAGGING, SPRAY DRYER ABSORBER OUTLET TO FABRIC FILTER INLET								
E-36-13-3	INSULATION, DUCT & EQUIPMENT	INSULATION AND LAGGING, FABRIC FILTER OUTLET DUCT TO ID FANS								
E-36-13-4	INSULATION, DUCT & EQUIPMENT	INSULATION AND LAGGING, ID FAN OUTLET TO CHIMNEY BREECH								
	E-36-13 Total									
	E-36 Total									
E-41	ELECTRICAL EQUIPMENT									
E-41-37	LIGHTING ACCESSORY (FIXTURE)									
E-41-37-1	LIGHTING ACCESSORY (FIXTURE)	LIGHTING FOR ACCESS GALLERIES AND ID FAN AREA								
	E-41-37 Total									
	E-41 Total									
E-44	CONTROL & INSTRUMENTATION									
E-44-21	INSTRUMENT									
E-44-21-1	INSTRUMENT	DRY FGD INLET DUCTWORK INSTRUMENTATION, AIR HEATER OUTLET TO SPRAY DRY ABSORBER INLET DUCT								
E-44-21-2	INSTRUMENT	DRY FGD OUTLET DUCTWORK INSTRUMENTATION, SPRAY DRYER ABSORBER OUTLET TO FABRIC FILTER INLET - INCLUDED IN DFGD PRICE								
E-44-21-3	INSTRUMENT	FABRIC FILTER OUTLET DUCTWORK INSTRUMENTATION, FABRIC FILTER OUTLET DUCT TO ID FANS								

TRADE SECRET DATA ENDS]

ESTIMATE NO. : 30659B
 PROJECT NO. : 12715 001
 ISSUE DATE : 10/29/2010
 PREP/REV : RCK / MNO
 APPROVED : BJD

[TRADE SECRET DATA BEGINS

OTTER TAIL
 BIG STONE STATION
 DFGD

CONCEPTUAL COST ESTIMATE

PRICE LEVEL: 2010 LOCATION: Sioux Falls, SD

WAGE RATE: PRODUCTIVITY FACTOR:

CODE OF ACCOUNT	DESCRIPTION A	DESCRIPTION B	QTY	UM	EQUIPMENT COST	MATERIAL COST	MAN-HOURS	CREW WAGE RATE	LABOR COST	TOTAL COST
E-44-21-4	INSTRUMENT	ID FAN OUTLET DUCTWORK INSTRUMENTATION, ID FAN OUTLET TO CHIMNEY BREECH								
	E-44-21 Total									
	E-44 Total									
	E Total									
F	ID FANS									
F-21	CIVIL WORK									
F-21-17	EARTHWORK, BACKFILL									
F-21-17-1	EARTHWORK, BACKFILL	VFD ENCLOSURE (30'X60'), FLUE GAS SYSTEM								
F-21-17-2	EARTHWORK, BACKFILL	ID FAN FOUNDATIONS, FLUE GAS SYSTEM								
	F-21-17 Total									
F-21-23	EARTHWORK, EXCAVATION									
F-21-23-1	EARTHWORK, EXCAVATION	VFD ENCLOSURE (30'X60'), FLUE GAS SYSTEM								
F-21-23-2	EARTHWORK, EXCAVATION	ID FAN FOUNDATIONS, FLUE GAS SYSTEM								
	F-21-23 Total									
	F-21 Total									
F-22	CONCRETE									
F-22-13	CONCRETE									
F-22-13-1	CONCRETE	VFD ENCLOSURE (30'X60'), FLUE GAS SYSTEM								
F-22-13-2	CONCRETE	ID FAN FOUNDATIONS, FLUE GAS SYSTEM								
	F-22-13 Total									
F-22-15	EMBEDMENT									
F-22-15-1	EMBEDMENT	VFD ENCLOSURE (30'X60'), FLUE GAS SYSTEM								
F-22-15-2	EMBEDMENT	ID FAN FOUNDATIONS, FLUE GAS SYSTEM								
	F-22-15 Total									
F-22-17	FORMWORK									
F-22-17-1	FORMWORK	VFD ENCLOSURE (30'X60'), FLUE GAS SYSTEM								
F-22-17-2	FORMWORK	ID FAN FOUNDATIONS, FLUE GAS SYSTEM								
	F-22-17 Total									
F-22-25	REINFORCING									

TRADE SECRET DATA ENDS

ESTIMATE NO. 9B
 PROJECT NO. 15.001
 ISSUE DATE 10/29/2010
 PREP/REV RCK/MNO
 APPROVED BJD

OTTER TAIL
 BIG STONE STATION
 DFGD
 [TRADE SECRET DATA BEGINS] CONCEPTUAL COST ESTIMATE

PRICE LEVEL 2010 LOCATION: Sioux Falls, SD

WAGE RATE: PRODUCTIVITY FACTOR:

CODE OF ACCOUNT	DESCRIPTION A	DESCRIPTION B	QTY	UM	EQUIPMENT COST	MATERIAL COST	MAN-HOURS	CREW WAGE RATE	LABOR COST	TOTAL COST
F-22-25-1	REINFORCING	VFD ENCLOSURE (30'X60'), FLUE GAS SYSTEM								
F-22-25-2	REINFORCING	ID FAN FOUNDATIONS, FLUE GAS SYSTEM								
	F-22-25 Total									
	F-22 Total									
F-31	MECHANICAL EQUIPMENT									
F-31-25	CRANES & HOISTS									
F-31-25-1	CRANES & HOISTS	HOIST & TROLLEYS FOR ID FANS (10 - TON CAP), ID FANS REPLACEMENT								
	F-31-25 Total									
F-31-27	DAMPERS & ACCESSORIES									
F-31-27-1	DAMPERS & ACCESSORIES	ID FAN ISOLATION DAMPERS, SINGLE LOUVER TYPE DAMPER ASSEMBLY (18'X18'), ID FANS REPLACEMENT								
	F-31-27 Total									
F-31-35	FANS & ACCESSORIES									
F-31-35-1	FANS & ACCESSORIES	NEW ID FANS, CENTRIFUGAL FANS, 2 x 50%, 1,200,000 CFM EACH, INCLUDES FAN AUXILIARY EQUIPMENT								
F-31-35-2	VARIABLE FREQUENCY DRIVE	15000 HP MOTOR AND VFD INSTALLATION - INCLUDES MOTORS, VFD's, VFD ENCLOSURE (30'X60'), HEAT EXCHANGERS, TECHNICAL FIELD ASSISTANCE, TRAINING								
F-31-35-3	MOTOR	INCLUDED WITH THE VFD								
	F-31-35 Total									
	F-31 Total									
F-36	INSULATION									
F-36-13	INSULATION, DUCT & EQUIPMENT									
F-36-13-1	INSULATION, DUCT & EQUIPMENT	FAN INSULATION AND LAGGING, ID FANS REPLACEMENT								
	F-36-13 Total									
	F-36 Total									
	F Total									
G	MECHANICAL - BALANCE OF PLANT									
G-21	CIVIL WORK									
G-21-17	EARTHWORK, BACKFILL									

TRADE SECRET DATA ENDS]

ESTIMATE NO. : 30859B
 PROJECT NO. : 12715 001
 ISSUE DATE : 10/29/2010
 PREP/REV : RCK / MNO
 APPROVED : BJD

OTTER TAIL
 BIG STONE STATION
 DFGD

[TRADE SECRET DATA BEGINS] CONCEPTUAL COST ESTIMATE

PRICE LEVEL: 2010 LOCATION: Sioux Falls, SD

WAGE RATE: PRODUCTIVITY FACTOR:

CODE OF ACCOUNT	DESCRIPTION A	DESCRIPTION B	QTY	UM	EQUIPMENT COST	MATERIAL COST	MAN-HOURS	CREW WAGE RATE	LABOR COST	TOTAL COST
G-21-17-1	EARTHWORK, BACKFILL	BEDDING FOR UNDERGROUND PIPING, MAKEUP WATER								
G-21-17-2	EARTHWORK, BACKFILL	BACKFILL FOR UNDERGROUND PIPING, MAKEUP WATER								
G-21-17-3	EARTHWORK, BACKFILL	BEDDING FOR UNDERGROUND PIPING, SERVICE WATER								
G-21-17-4	EARTHWORK, BACKFILL	BACKFILL FOR UNDERGROUND PIPING, SERVICE WATER								
G-21-17-5	EARTHWORK, BACKFILL	BEDDING FOR UNDERGROUND PIPING, SUMP DISCHARGE / DRAINS								
G-21-17-6	EARTHWORK, BACKFILL	BACKFILL FOR UNDERGROUND PIPING, SUMP DISCHARGE / DRAINS								
G-21-17-7	EARTHWORK, BACKFILL	BEDDING FOR UNDERGROUND PIPING, FIRE PROTECTION								
G-21-17-8	EARTHWORK, BACKFILL	BACKFILL FOR UNDERGROUND PIPING, FIRE PROTECTION								
G-21-17-9	EARTHWORK, BACKFILL	PIPE AND CABLE TRAY RACK								
G-21-17-10	EARTHWORK, BACKFILL	MAKEUP WATER TANK 40' DIA.								
G-21-17-11	EARTHWORK, BACKFILL	SLURRY MAKEUP WATER TANK 22' DIA.								
	G-21-17 Total									
G-21-23	EARTHWORK, EXCAVATION									
G-21-23-1	EARTHWORK, EXCAVATION	EXCAVATION FOR UNDERGROUND PIPING, MAKEUP WATER								
G-21-23-2	EARTHWORK, EXCAVATION	EXCAVATION FOR UNDERGROUND PIPING, SERVICE WATER								
G-21-23-3	EARTHWORK, EXCAVATION	EXCAVATION FOR UNDERGROUND PIPING, SUMP DISCHARGE/DRAINS								
G-21-23-4	EARTHWORK, EXCAVATION	EXCAVATION FOR UNDERGROUND PIPING, FIRE PROTECTION								
G-21-23-5	EARTHWORK, EXCAVATION	PIPE AND CABLE TRAY RACK								
G-21-23-6	EARTHWORK, EXCAVATION	MAKEUP WATER TANK 40' DIA.								

TRADE SECRET DATA ENDS]

ESTIMATE NO. 19B
 PROJECT NO. 15.001
 ISSUE DATE 10/29/2010
 PREP/REV RCK / MNO
 APPROVED BJD

[TRADE SECRET DATA BEGINS

OTTER 17.111
 BIG STONE STATION
 DFGD
 CONCEPTUAL COST ESTIMATE

PRICE LEVEL: 2010 LOCATION: Sioux Falls, SD

WAGE RATE: PRODUCTIVITY FACTOR:

CODE OF ACCOUNT	DESCRIPTION A	DESCRIPTION B	QTY	UM	EQUIPMENT COST	MATERIAL COST	MAN-HOURS	CREW WAGE RATE	LABOR COST	TOTAL COST
G-21-23-7	EARTHWORK, EXCAVATION	SLURRY MAKEUP WATER TANK 22' DIA.								
	G-21-23 Total									
	G-21 Total									
G-22	CONCRETE									
G-22-13	CONCRETE									
G-22-13-1	CONCRETE	PIPE AND CABLE TRAY RACK								
G-22-13-2	CONCRETE	RING FOUNDATION, MAKEUP WATER TANK 40' DIA.								
G-22-13-3	CONCRETE	MAT FOUNDATION, SLURRY MAKEUP WATER TANK 22' DIA.								
	G-22-13 Total									
G-22-15	EMBEDMENT									
G-22-15-1	EMBEDMENT	PIPE AND CABLE TRAY RACK								
G-22-15-2	EMBEDMENT	MAKEUP WATER TANK 40' DIA.								
G-22-15-3	EMBEDMENT	SLURRY MAKEUP WATER TANK 22' DIA.								
	G-22-15 Total									
G-22-17	FORMWORK									
G-22-17-1	FORMWORK	PIPE AND CABLE TRAY RACK								
G-22-17-2	FORMWORK	MAKEUP WATER TANK 40' DIA.								
G-22-17-3	FORMWORK	SLURRY MAKEUP WATER TANK 22' DIA.								
	G-22-17 Total									
G-22-25	REINFORCING									
G-22-25-1	REINFORCING	PIPE AND CABLE TRAY RACK								
G-22-25-2	REINFORCING	MAKEUP WATER TANK 40' DIA.								
G-22-25-3	REINFORCING	SLURRY MAKEUP WATER TANK 22' DIA.								
	G-22-25 Total									
	G-22 Total									
G-23	STEEL									
G-23-25	ROLLED SHAPE - STRUCTURAL STEEL									
G-23-25-1	ROLLED SHAPE - STRUCTURAL STEEL	PIPE AND CABLE TRAY RACK								
	G-23-25 Total									
	G-23 Total									
G-31	MECHANICAL EQUIPMENT									
G-31-17	COMPRESSOR & ACCESSORIES									

TRADE SECRET DATA ENDS]

ESTIMATE NO. : 30859B
 PROJECT NO. : 12715.001
 ISSUE DATE : 10/29/2010
 PREP/REV : RCK / MNO
 APPROVED : BJD

[TRADE SECRET DATA BEGINS

OTTER TAIL
 BIG STONE STATION
 DFGD
 CONCEPTUAL COST ESTIMATE

PRICE LEVEL: 2010 LOCATION: Sioux Falls, SD

WAGE RATE: PRODUCTIVITY FACTOR:

CODE OF ACCOUNT	DESCRIPTION A	DESCRIPTION B	QTY	UM	EQUIPMENT COST	MATERIAL COST	MAN-HOURS	CREW WAGE RATE	LABOR COST	TOTAL COST
G-31-17-1	COMPRESSOR & ACCESSORIES	AIR RECEIVERS, 1000 GAL								
G-31-17-2	COMPRESSOR & ACCESSORIES	AIR DRYERS, 250 NET SCFM, 100 psig								
	G-31-17 Total									
G-31-41	FIRE PROTECTION EQUIPMENT & SYSTEM									
G-31-41-1	FIRE PROTECTION EQUIPMENT	FIRE PROTECTION, STANDPIPE & HOSE STATION, WASTE BLOWER BUILDING								
G-31-41-2	FIRE PROTECTION EQUIPMENT	HYDRANTS								
	G-31-41 Total									
G-31-65	HEAT EXCHANGER									
G-31-65-1	HEAT EXCHANGER	SLURRY WATER TANK STEAM HEATERS,								
	G-31-65 Total									
G-31-75	PUMPS									
G-31-75-1	PUMPS	MAKEUP WATER PUMPS, 1000 GPM, 200FT TDH								
G-31-75-2	PUMPS	SLURRY WATER MAKEUP WATER PUMPS, 400 GPM, 200FT TDH								
G-31-75-3	PUMPS	SUMP PUMPS, 440GPM , 220 TDH								
G-31-75-4	PUMPS	SLAKER MU PUMPS 10HP, 100GPMX150FT, DEMIN AREA								
	G-31-75 Total									
G-31-83	TANKS									
G-31-83-1	TANKS	MAKEUP WATER TANK 40' DIA. X 45', 1 - 12 HOUR TANK. SUBCONTRACT COST INCLUDES MATERIAL AND LABOR								
G-31-83-2	TANKS	SLURRY MAKEUP WATER TANK 22' DIA. X 25', 1 - 12 HOUR TANK. SUBCONTRACT COST INCLUDES MATERIAL AND LABOR								
	G-31-83 Total									
	G-31 Total									
G-35	PIPING									
G-35-13										
G-35-13-1	LARGE BORE	VACUUM CONVEYING TO LIME SILO, VACUUM CONVEYING - INCLUDED IN LIME SILO COST								

TRADE SECRET DATA ENDS]

ESTIMATE NO 9B
 PROJECT NO 15 001
 ISSUE DATE 10/29/2010
 PREP/REV RCK / MNO
 APPROVED BJD

OTTER FALLS
 BIG STONE STATION
 DFGD

[TRADE SECRET DATA BEGINS CONCEPTUAL COST ESTIMATE

PRICE LEVEL: 2010 LOCATION: Sioux Falls, SD

WAGE RATE: PRODUCTIVITY FACTOR:

CODE OF ACCOUNT	DESCRIPTION A	DESCRIPTION B	QTY	UM	EQUIPMENT COST	MATERIAL COST	MAN-HOURS	CREW WAGE RATE	LABOR COST	TOTAL COST
G-35-13-2	LARGE BORE	6" HDPE SDR11, INCLUDES FITTINGS, UNDERGROUND, HOLDING POND TO RECYCLE MU TANK; MAKE UP WATER								
G-35-13-3	LARGE BORE	4" HDPE SDR11, INCLUDES FITTINGS, UNDERGROUND, POET RO REJECT TO RECYCLE MU TANK; MAKE UP WATER								
G-35-13-4	LARGE BORE	6" SS, SCH 40S, INCLUDES FITTINGS, SUPPORTED ON PIPE RACK, RO PERMEATE TO BC PRETREATMENT/DEMIN; MAKEUP WATER								
G-35-13-5	LARGE BORE	3" CS, SCH 40, INCLUDES FITTINGS, TURBINE BUILDING SLAKER; MAKEUP WATER								
G-35-13-6	LARGE BORE	PIPE SUPPORTS FOR 3" CS PIPING, TURBINE BUILDING SLAKER; MAKEUP WATER								
G-35-13-7	LARGE BORE	3" HDPE SDR11, INCLUDES FITTINGS, UNDERGROUND, SLAKER WATER-TURBINE BUILDING TO MU TANK; MAKEUP WATER								
G-35-13-8	LARGE BORE	6" CS, SCH 40, INCLUDES FITTINGS, UPGRADE EXISTING BS BOILER ROOM HP SERVICE WATER TO WASTE SILO, SERVICE WATER								
G-35-13-9	LARGE BORE	PIPE SUPPORTS FOR SERVICE WATER PIPING								
G-35-13-10	LARGE BORE	6" HDPE SDR11, INCLUDES FITTINGS, UNDERGROUND, UPGRADE EXISTING OUTDOOR HP SERVICE WATER TO WASTE SILO, SERVICE WATER								
G-35-13-11	LARGE BORE	3" HDPE SDR11, INCLUDES FITTINGS, UNDERGROUND, BRANCH PIPING TO SDA, RECYCLE AND LIME PREP BUILDING, SERVICE WATER								
G-35-13-12	LARGE BORE	3" CS, SCH 40, INCLUDES FITTINGS, BRANCH PIPING TO SDA, RECYCLE AND LIME PREP BUILDINGS, SERVICE WATER								

TRADE SECRET DATA ENDS]

ESTIMATE NO. : 30859B
PROJECT NO. : 12716.001
ISSUE DATE : 10/29/2010
PREP/REV : RCK / MNO
APPROVED : BJD

OTTER TAIL
BIG STONE STATION
DFGD

[TRADE SECRET DATA BEGINS CONCEPTUAL COST ESTIMATE

PRICE LEVEL: 2010 LOCATION: Sioux Falls, SD

WAGE RATE: PRODUCTIVITY FACTOR:

CODE OF ACCOUNT	DESCRIPTION A	DESCRIPTION B	QTY	UM	EQUIPMENT COST	MATERIAL COST	MAN-HOURS	CREW WAGE RATE	LABOR COST	TOTAL COST
G-35-13-13	LARGE BORE	PIPE SUPPORTS FOR SERVICE WATER PIPING								
G-35-13-14	LARGE BORE	3" CS, SCH 80, INCLUDES FITTINGS, SUPPORT ON PIPE RACK AND BUILDING STEEL, PIPING FROM SDA TO SLURRY TANK; LIME SLURRY SUPPLY PIPE								
G-35-13-15	LARGE BORE	PIPE SUPPORTS, SDA AND LIME PREP BUILDING; LIME SLURRY SUPPLY PIPE								
G-35-13-16	LARGE BORE	FLUSH WATER PIPING, LIME SLURRY SUPPLY PIPE - INCLUDED IN LINE H-35-13-17								
G-35-13-17	LARGE BORE	2.5" CS, SCH 80, INCLUDES FITTINGS, SUPPORTED ON PIPE RACK AND BUILDING STEEL, PIPING FROM SDA TO SLURRY TANK, LIME SLURRY RETURN PIPE								
G-35-13-18	LARGE BORE	PIPE SUPPORTS, SDA AND LIME PREP BUILDINGS, LIME SLURRY RETURN PIPE								
G-35-13-19	LARGE BORE	FLUSH WATER PIPING, LIME SLURRY RETURN PIPE - INCLUDED IN LINE H-35-13-17								
G-35-13-20	LARGE BORE	8" CS, SCH 80, INCLUDES FITTINGS, SUPPORT ON PIPE RACK AND BUILDING STEEL, RECYCLE ASH SILO TO ATOMIZER HEAD TANK; RECYCLE SLURRY PIPE								
G-35-13-21	LARGE BORE	PIPE SUPPORTS, SDA AND LIME PREP BUILDING, RECYCLE SLURRY PIPE								
G-35-13-22	LARGE BORE	FLUSH WATER PIPING, RECYCLE SLURRY PIPE - INCLUDED IN LINE H-35-13-17								
G-35-13-23	LARGE BORE	4" CS, SCH 80, INCLUDES FITTINGS, SUPPORT ON BUILDING STEEL AND PIPE RACK, ATOMIZER HEAD TANK TO RECYCLE BUILDING, UNDERGROUND; RECYCLE SLURRY RETURN PIPE								
G-35-13-24	LARGE BORE	PIPE SUPPORTS, SDA AND LIME PREP BUILDING; RECYCLE SLURRY RETURN PIPE								

TRADE SECRET DATA ENDS]

ESTIMATE N : 59B
PROJECT N : 715.001
ISSUE DATE : 10/29/2010
PREP/REV : RCK / MNO
APPROVED : BJD

[TRADE SECRET DATA BEGINS

OTTER -
BIG STONE STATION
DFGD
CONCEPTUAL COST ESTIMATE

PRICE LEVEL: 2010 LOCATION: Sioux Falls, SD

WAGE RATE: PRODUCTIVITY FACTOR:

CODE OF ACCOUNT	DESCRIPTION A	DESCRIPTION B	QTY	UM	EQUIPMENT COST	MATERIAL COST	MAN-HOURS	CREW WAGE RATE	LABOR COST	TOTAL COST
G-35-13-25	LARGE BORE	FLUSH WATER PIPING; RECYCLE SLURRY RETURN PIPE - INCLUDED IN LINE H-35-13-17								
G-35-13-26	LARGE BORE	10" ASHCOLITE, FLANGED, SUPPORTS INCLUDED WITH PIPE RACK FROM BH TO WASTE SILO; SOLID WASTE PIPE - INCLUDED WITH UOC BUDGET ESTIMATE								
G-35-13-27	LARGE BORE	PIPE SUPPORTS, BENEATH BH AND IN RECYCLE BUILDING; SOLID WASTE PIPE								
G-35-13-28	LARGE BORE	4" CS, SCH 40, INCLUDES FITTINGS, SUPPORTED ON PIPE RACK, HEADER TO SCR AND SDA; SERVICE AIR								
G-35-13-29	LARGE BORE	3" CS, SCH 40, INCLUDES FITTINGS, SUPPORTED ON PIPE RACK, HEADER TO REACTANT PREP AND RECYCLE; SERVICE AIR								
G-35-13-30	LARGE BORE	3" 304SS, SCH 40S, WELDED, SUPPORTED ON PIPE RACK, HEADER TO SCR AND SDA, INSTRUMENT AIR								
G-35-13-31	LARGE BORE	PIPE SUPPORTS FOR INSTRUMENT AIR								
G-35-13-32	LARGE BORE	4" CS, SCH 40, INCLUDES FITTINGS, SDA, LIME PREP & RECYCLE BUILDING; SUMP DISCHARGE/DRAINS								
G-35-13-33	LARGE BORE	PIPE SUPPORTS FOR SUMP DISCHARGE AND DRAINS								
G-35-13-34	LARGE BORE	4" HDPE SDR11 INCLUDES FITTINGS, SDA AREA TO MAIN HEADER; SUMP DISCHARGE/DRAINS								
G-35-13-35	LARGE BORE	6" HDPE SDR11 INCLUDES FITTINGS, MAIN HEADER TO BASIN AND BASIN TO RECYCLE MU TANK; SUMP DISCHARGE/DRAINS								
G-35-13-36	LARGE BORE	STEAM HEADER TO FGD AREA 4" SCH 40,								
G-35-13-37	LARGE BORE	SUPPORTS - STEAM HEADER TO FGD AREA 4" SCH 40,								
G-35-13-38	LARGE BORE	STEAM HEADER TO FGD AREA 3" SCH 40 ON RACK								

ESTIMATE NO. : 30859B
 PROJECT NO. : 12715 001
 ISSUE DATE : 10/29/2010
 PREP/REV : RCK / MNO
 APPROVED : BJD

[TRADE SECRET DATA BEGINS

OTTER TAIL
 BIG STONE STATION
 DFGD

CONCEPTUAL COST ESTIMATE

PRICE LEVEL: 2010 LOCATION: Sioux Falls, SD

WAGE RATE: PRODUCTIVITY FACTOR:

CODE OF ACCOUNT	DESCRIPTION A	DESCRIPTION B	QTY	UM	EQUIPMENT COST	MATERIAL COST	MAN-HOURS	CREW WAGE RATE	LABOR COST	TOTAL COST
G-35-13-39	LARGE BORE	6" CI VALVES WITH PIVS								
G-35-13-40	LARGE BORE	4" CS GATE CLASS 150								
G-35-13-41	LARGE BORE	3" CS GATE CLASS 150								
G-35-13-42	LARGE BORE	6" SS GATE CLASS 150								
G-35-13-43	LARGE BORE	8" CS GATE CLASS 150								
G-35-13-44	LARGE BORE	4" CS CONTROL VALVE- PNEUMATIC								
G-35-13-45	LARGE BORE	4" CS CONTROL VALVE- 600 LB PNEUMATIC STEAM SUPPLY TO HEATING UNITS								
G-35-13-46	LARGE BORE	3" CS CONTROL VALVE- PNEUMATIC								
G-35-13-47	LARGE BORE	6" HDPE, SDR11, TIE IN TO EXISTING 6" KHJ-101 U/G, EXCESS CLS EFFLUENT TO MU POND								
G-35-13-48	LARGE BORE	4" HDPE, SDR11, U/G, UF BACKWASH TO CLS								
G-35-13-49	LARGE BORE	6" CS, SCH 40, INCLUDES FITTINGS, A/G, ID FAN L.O. RETURN								
G-35-13-50	LARGE BORE	8" CS, SCH 40, BASALT LINED INCLUDES FITTINGS, ASH SLUICE PIPE EACH HOPPER - PROCESS AREA								
G-35-13-51	LARGE BORE	8" CS, SCH 40, INCLUDES FITTINGS, SLUICE WATER PIPE EACH HOPPER - PROCESS AREA								
G-35-13-52	LARGE BORE PIPE SUPPORTS									
	G-35-13 Total									
G-35-15										
G-35-15-1	SMALL BORE	2" CS, SCH 80, INCLUDES FITTINGS, SCR, BH, SDA LIME RECYCLE, SERVICE AIR								
G-35-15-2	SMALL BORE	2" CS, SCH 80, INCLUDES FITTINGS, BRANCH PIPING TO SDA, RECYCLE AND LIME PREP BUILDINGS, SERVICE WATER								
G-35-15-3	SMALL BORE	STEAM HEADER TO UNIT HEATERS, 2" CS SCH 80								
G-35-15-4	SMALL BORE	STEAM TO UNIT HEATERS, 1.5" CS SCH 60								
G-35-15-5	SMALL BORE	CONDENSATE DRAINS UNIT HEATERS, 1.5" CS SCH 60								

ESTIMATE NO : 98
 PROJECT NO : 15.001
 ISSUE DATE : 10/29/2010
 PREP/REV : RCK / MNO
 APPROVED : BJD

[TRADE SECRET DATA BEGINS]

OTTER TAIL
 BIG STONE STATION
 DFGD

CONCEPTUAL COST ESTIMATE

PRICE LEVEL: 2010 LOCATION: Sioux Falls, SD WAGE RATE: PRODUCTIVITY FACTOR:

CODE OF ACCOUNT	DESCRIPTION A	DESCRIPTION B	QTY	UM	EQUIPMENT COST	MATERIAL COST	MAN-HOURS	CREW WAGE RATE	LABOR COST	TOTAL COST
G-35-15-6	SMALL BORE	2" 304SS, SCH 40S, WELDED, SUPPORTED ON PIPE RACK, HEADER TO REACTANT PREP AND RECYCLE, INSTRUMENT AIR								
G-35-15-7	SMALL BORE	1" 304SS, SCH 40S, WELDED, SCR, BH, SDA LIME AND RECYCLE, INSTRUMENT AIR								
G-35-15-8	SMALL BORE	1" AND <, 316SS, 0.049" TUBING, COMPRESSION JOINTS, SCR, BH, SDA LIME AND RECYCLE								
G-35-15-9	SMALL BORE	1" BRONZE BALL								
G-35-15-10	SMALL BORE	2" BRONZE, BALL								
G-35-15-11	SMALL BORE	SMALL BORE VALVES, CS WELDED								
G-35-15-12	SMALL BORE	2" CS CONTROL VALVE- PNEUMATIC								
G-35-15-13	SMALL BORE	2" SS CONTROL VALVE- PNEUMATIC								
G-35-15-14	SMALL BORE	1.5" CS, SCH 80, INCLUDES FITTINGS, A/G SUPPORTED ON PIPE RACK, LIME SLURRY EXTENSION TO CLS								
G-35-15-15	SMALL BORE	2" GA CS, SCH 40, INCLUDES FITTINGS, U/G, DOMESTIC WATER								
G-35-15-16	SMALL BORE	1.5" GA CS, SCH 40, INCLUDES FITTINGS, A/G, DOMESTIC WATER								
G-35-15-17	SMALL BORE	2" SS, SCH 80, INCLUDES FITTINGS, A/G, ID FAN L.O. SUPPLY								
G-35-15-18	SMALL BORE PIPE SUPPORTS									
	G-35-15 Total									
	G-35 Total									
G-36	INSULATION									
G-36-13	INSULATION, DUCT & EQUIPMENT									
G-36-13-1	INSULATION, SLURRY WATER TANK	SLURRY WATER TANK								
	G-36-13 Total									
G-36-15	INSULATION, PIPE									
G-36-15-1	INSULATION, PIPE	INSULATION FOR HEAT TRACED PIPING, ASSUMED NOMINAL 4" PIPE SIZE								

TRADE SECRET DATA ENDS]

ESTIMATE NO. : 30859B
 PROJECT NO. : 12715.001
 ISSUE DATE : 10/29/2010
 PREP/REV : RCK / MNO
 APPROVED : BJD

[TRADE SECRET DATA BEGINS

OTTER TAIL
 BIG STONE STATION
 DFGD

CONCEPTUAL COST ESTIMATE

PRICE LEVEL: 2010 LOCATION: Sioux Falls, SD

WAGE RATE: PRODUCTIVITY FACTOR:

CODE OF ACCOUNT	DESCRIPTION A	DESCRIPTION B	QTY	UM	EQUIPMENT COST	MATERIAL COST	MAN-HOURS	CREW WAGE RATE	LABOR COST	TOTAL COST
G-36-15-2	INSULATION, PIPE	2" MINERAL WOOL WAL JACKET INSULATION FOR STEAM PIPING, ASSUMED NOMINAL 4" PIPE SIZE								
	G-36-15 Total									
	G-36 Total									
G-41	ELECTRICAL EQUIPMENT									
G-41-33	HEAT TRACING									
G-41-33-1	HEAT TRACING	HEAT TRACING CABLE								
G-41-33-2	HEAT TRACING	POWER CONNECTOR AND OTHER ACCESSORIES INCLUDING THERMOSTATS FOR HEAT TRACING (BY ZONES)								
	G-41-33 Total									
	G-41 Total									
	G Total									
H	ELECTRICAL - AUXILIARY POWER AND BALANCE OF PLANT ELECTRICAL WORK									
H-11	DEMOLITION WORK									
H-11-41	ELECTRICAL EQUIPMENT									
H-11-41-1	ELECTRICAL EQUIPMENT	DISCONNECT & REMOVE EXISTING 800A & 1200A MCCS FROM BAG HOUSE, DISMANTLE & HAUL AWAY; AUXILIARY POWER MODIFICATIONS								
H-11-41-2	ELECTRICAL EQUIPMENT	DISCONNECT & REMOVE EXISTING 3200A, 480V SWGR FROM BAG HOUSE, DISMANTLE & HAUL AWAY; AUXILIARY POWER MODIFICATIONS								
	H-11-41 Total									
	H-11 Total									
H-21	CIVIL WORK									
H-21-17	EARTHWORK, BACKFILL									
H-21-17-1	EARTHWORK, BACKFILL	FOUNDATIONS FOR AQCS MAIN EEB								
H-21-17-2	EARTHWORK, BACKFILL	RECYCLE ASH & SLURRY PREP AREA EEB								
H-21-17-3	EARTHWORK, BACKFILL	TRANSFORMER FOUNDATIONS, RAT								
H-21-17-4	EARTHWORK, BACKFILL	TRANSFORMER FOUNDATIONS, UAT								

TRADE SECRET DATA ENDS]

ESTIMATE NO 98
 PROJECT NO 15 001
 ISSUE DATE 10/29/2010
 PREP/REV RCK / MNO
 APPROVED BJD

[TRADE SECRET DATA BEGINS

OTTER / / / / /
 BIG STONE STATION
 DFGD
 CONCEPTUAL COST ESTIMATE

PRICE LEVEL: 2010 LOCATION: Sioux Falls, SD

WAGE RATE: PRODUCTIVITY FACTOR:

CODE OF ACCOUNT	DESCRIPTION A	DESCRIPTION B	QTY	UM	EQUIPMENT COST	MATERIAL COST	MAN-HOURS	CREW WAGE RATE	LABOR COST	TOTAL COST
H-21-17-5	EARTHWORK, BACKFILL	CABLE BUS SUPPORT								
	H-21-17 Total									
H-21-23	EARTHWORK, EXCAVATION									
H-21-23-1	EARTHWORK, EXCAVATION	FOUNDATIONS FOR AQCS MAIN EEB								
H-21-23-2	EARTHWORK, EXCAVATION	RECYCLE ASH & SLURRY PREP AREA EEB								
H-21-23-3	EARTHWORK, EXCAVATION	TRANSFORMER FOUNDATIONS, RAT								
H-21-23-4	EARTHWORK, EXCAVATION	TRANSFORMER FOUNDATIONS, UAT								
H-21-23-5	EARTHWORK, EXCAVATION	CABLE BUS SUPPORT								
	H-21-23 Total									
	H-21 Total									
H-22	CONCRETE									
H-22-13	CONCRETE									
H-22-13-1	CONCRETE	FOUNDATIONS FOR AQCS MAIN EEB								
H-22-13-2	CONCRETE	RECYCLE ASH & SLURRY PREP AREA EEB								
H-22-13-3	CONCRETE	TRANSFORMER FOUNDATIONS INCLUDING FIRE WALLS, RAT								
H-22-13-4	CONCRETE	TRANSFORMER FOUNDATIONS INCLUDING FIRE WALLS, UAT								
H-22-13-5	CONCRETE	CABLE BUS SUPPORT								
	H-22-13 Total									
H-22-15	EMBEDMENT									
H-22-15-1	EMBEDMENT	FOUNDATIONS FOR AQCS MAIN EEB								
H-22-15-2	EMBEDMENT	RECYCLE ASH & SLURRY PREP AREA EEB								
H-22-15-3	EMBEDMENT	TRANSFORMER FOUNDATIONS, RAT								
H-22-15-4	EMBEDMENT	TRANSFORMER FOUNDATIONS, UAT								
H-22-15-5	EMBEDMENT	CABLE BUS SUPPORT								
	H-22-15 Total									
H-22-17	FORMWORK									
H-22-17-1	FORMWORK	FOUNDATIONS FOR AQCS MAIN EEB								

TRADE SECRET DATA ENDS]

ESTIMATE NO. : 30859B
 PROJECT NO. : 12715.001
 ISSUE DATE : 10/29/2010
 PREP/REV : RCK / MNO
 APPROVED : BJD

[TRADE SECRET DATA BEGINS

OTTER TAIL
 BIG STONE STATION
 DFGD
 CONCEPTUAL COST ESTIMATE

PRICE LEVEL: 2010 LOCATION: Sioux Falls, SD

WAGE RATE: PRODUCTIVITY FACTOR:

CODE OF ACCOUNT	DESCRIPTION A	DESCRIPTION B	QTY	UM	EQUIPMENT COST	MATERIAL COST	MAN-HOURS	CREW WAGE RATE	LABOR COST	TOTAL COST
H-22-17-2	FORMWORK	RECYCLE ASH & SLURRY PREP AREA EEB								
H-22-17-3	FORMWORK	TRANSFORMER FOUNDATIONS, RAT								
H-22-17-4	FORMWORK	TRANSFORMER FOUNDATIONS, UAT								
H-22-17-5	FORMWORK	CABLE BUS SUPPORT								
	H-22-17 Total									
H-22-25	REINFORCING									
H-22-25-1	REINFORCING	FOUNDATIONS FOR AQCS MAIN EEB								
H-22-25-2	REINFORCING	RECYCLE ASH & SLURRY PREP AREA EEB								
H-22-25-3	REINFORCING	TRANSFORMER FOUNDATIONS, RAT								
H-22-25-4	REINFORCING	TRANSFORMER FOUNDATIONS, UAT								
H-22-25-5	REINFORCING	CABLE BUS SUPPORT								
	H-22-25 Total									
	H-22 Total									
H-23	STEEL									
H-23-17	GALLERY									
H-23-17-1	GALLERY	1-1/4" GRATING (GALV), BASIN GRATING								
	H-23-17 Total									
H-23-25	STRUCTURAL STEEL									
H-23-25-1	STRUCTURAL STEEL	BASIN GALLERY STEEL FOR CONTAINMENTS								
H-23-25-2	STRUCTURAL STEEL	CABLE BUS SUPPORT								
	H-23-25 Total									
	H-23 Total									
H-24	ARCHITECTURAL									
H-24-35	PRE-ENGINEERED BUILDING									
H-24-35-1	PRE-ENGINEERED BUILDING	AQCS - ELECTRICAL EQUIPMENT BUILDING # 11. (MCC & SVGR COST INCLUDED SEPARATELY), (15'X60') BUILDING. INCLUDES: ENCLOSURE WITH HVAC AND LIGHTING/ELECTRIC SERVICE UPS, BATTERIES / CHARGERS ROOM/AREA DESIGNATED FOR DCS PHONE JACK, AUXILIARY POWER MODIFICATI								

TRADE SECRET DATA ENDS]

ESTIMATE NO : 98
 PROJECT NO : 15.001
 ISSUE DATE : 10/29/2010
 PREP/REV : RCK / MNO
 APPROVED : BJD

[TRADE SECRET DATA BEGINS]

OTTER TAIL
 BIG STONE STATION
 DFGD

CONCEPTUAL COST ESTIMATE

PRICE LEVEL: 2010 LOCATION: Sioux Falls, SD

WAGE RATE:

PRODUCTIVITY FACTOR:

CODE OF ACCOUNT	DESCRIPTION A	DESCRIPTION B	QTY	UM	EQUIPMENT COST	MATERIAL COST	MAN-HOURS	CREW WAGE RATE	LABOR COST	TOTAL COST
H-24-35-2	PRE-ENGINEERED BUILDING	RECYCLE AND ASH SLURRY PREP - ELECTRICAL EQUIPMENT BUILDING # 12 (PREP & RECYCLE AREA)- (MCC & SWGR COST INCLUDED SEPARATELY), (15'X60') BUILDING, INCLUDES ENCLOSURE (270K) WITH HVAC AND LIGHTING/ELECTRIC SERVICE; UPS, BATTERIES / CHARGERS ROOM/AREA DESI								
H-24-35-3	PRE-ENGINEERED BUILDING	BAGHOUSE - ELECTRICAL EQUIPMENT BUILDING # 15 (BAG HOUSE)-(MCC & SWGR COST INCLUDED SEPARATELY), (15'X45') BUILDING, INCLUDES ENCLOSURE WITH HVAC AND LIGHTING/ELECTRIC SERVICE; AUXILIARY POWER MODIFICATIONS. LOCATED ON FABRIC FILTER MAT SLAB								
	H-24-35 Total									
	H-24 Total									
H-35	PIPING									
H-35-35	PIPING									
H-35-35-1	PIPING	INSTRUMENT TUBING								
	H-35-35 Total									
	H-35 Total									
H-41	ELECTRICAL EQUIPMENT									
H-41-13	CABLE BUS DUCT									
H-41-13-1	CABLE BUS DUCT	15KV, 2000A, 3 PHASE CABLE BUS, (1000'+ 800')								
H-41-13-2	CABLE BUS DUCT	#750 KCM CABLE BUS TERMINATIONS								
	H-41-13 Total									
H-41-15	CATHODIC PROTECTION									
H-41-15-1	CATHODIC PROTECTION	CATHODIC PROTECTION, TO ELECTRICAL SYSTEM (ALLOWANCE)								
	H-41-15 Total									
H-41-17	COMMUNICATION SYSTEM									

TRADE SECRET DATA ENDS]

ESTIMATE NO. : 30859B
 PROJECT NO. : 12715 001
 ISSUE DATE : 10/29/2010
 PREP/REV : RCK / MNO
 APPROVED : BJD

[TRADE SECRET DATA BEGINS

OTTER TAIL
 BIG STONE STATION
 DFGO
 CONCEPTUAL COST ESTIMATE

PRICE LEVEL: 2010 LOCATION: Sioux Falls, SD

WAGE RATE: PRODUCTIVITY FACTOR:

CODE OF ACCOUNT	DESCRIPTION A	DESCRIPTION B	QTY	UM	EQUIPMENT COST	MATERIAL COST	MAN-HOURS	CREW WAGE RATE	LABOR COST	TOTAL COST
H-41-17-1	COMMUNICATION SYSTEM	PA / PAGE PARTY EXTENSION SYSTEM, LIME SILO & REAGENT PREP BUILDING, RECYCLE BUILDING, BAGHOUSE ENCLOSURE, WATER TREATMENT BUILDING, WASTE BLOWER BUILDING, ELECTRICAL EQUIPMENT BUILDINGS & WAREHOUSE								
H-41-17-2	COMMUNICATION SYSTEM	DATA COM EXTENSION SYSTEM - LIME SILO & REAGENT PREP BUILDING, RECYCLE BUILDING, BAGHOUSE ENCLOSURE, WATER TREATMENT BUILDING, WASTE BLOWER BUILDING, ELECTRICAL EQUIPMENT BUILDINGS & WAREHOUSE								
H-41-17-3	COMMUNICATION SYSTEM	TELEPHONE EXTENSION SYSTEM - LIME SILO & REAGENT PREP BUILDING, RECYCLE BUILDING, BAGHOUSE ENCLOSURE, WATER TREATMENT BUILDING, WASTE BLOWER BUILDING, ELECTRICAL EQUIPMENT BUILDINGS & WAREHOUSE								
	H-41-17 Total									
H-41-25	FIRE DETECTION, PROTECTION									
H-41-25-1	FIRE DETECTION	TIE IN & UPGRADE FIRE DETECTION SYSTEM TO EXISTING ALARM SYSTEM								
	H-41-25 Total									
H-41-31	GROUNDING									
H-41-31-1	GROUNDING	GROUNDING; INCLUDING GND ROD, BARE WIRE & TERMINATION / CAD WELD - FOR THE ENTIRE PROJECT AREA INCLUDING AMMONIA TANK FARM								
	H-41-31 Total									
H-41-35	LIGHTNING PROTECTION									
H-41-35-1	LIGHTNING PROTECTION	#500 KCMIL								
H-41-35-2	LIGHTNING PROTECTION	#4/0 BARE COPPER								
H-41-35-3	LIGHTNING PROTECTION	CAD WELD & WIRE TERMINATION								

ESTIMATE NO. 398
 PROJECT NO. 15 001
 ISSUE DATE 10/29/2010
 PREP/REV RCK / MNO
 APPROVED BJD

[TRADE SECRET DATA BEGINS

OTTER . . .
 BIG STONE STATION
 DFGD

CONCEPTUAL COST ESTIMATE

PRICE LEVEL: 2010 LOCATION: Sioux Falls, SD

WAGE RATE: PRODUCTIVITY FACTOR:

CODE OF ACCOUNT	DESCRIPTION A	DESCRIPTION B	QTY	UM	EQUIPMENT COST	MATERIAL COST	MAN-HOURS	CREW WAGE RATE	LABOR COST	TOTAL COST	
	H-41-35 Total										
H-41-45	MOTOR CONTROL CENTER (MCC)										
H-41-45-1	MOTOR CONTROL CENTER (MCC)	MCC-800A, 480V, 3 PHASE; AUXILIARY POWER MODIFICATIONS									
H-41-45-2	MOTOR CONTROL CENTER (MCC)	MCC-400A, 480V, 3 PHASE; AUXILIARY POWER MODIFICATIONS									
	H-41-45 Total										
H-41-47	PANEL: CONTROL, DISTRIBUTION, & RELAY										
H-41-47-1	PANEL: CONTROL, DISTRIBUTION, & RELAY	PROTECTIVE RELAY PANELS & MISC HDWR (ALLOWANCE)									
	H-41-47 Total										
H-41-51	POWER TRANSFORMER										
H-41-51-1	POWER TRANSFORMER	LIGHTING TRANSFORMERS 45KVA, 480V, 3 PHASE, LOW VOLTAGE XFMR; AUXILIARY POWER MODIFICATIONS									
H-41-51-2	POWER TRANSFORMER	UAT. TRANSFORMER-24KV - 13.8KV, 21/28/35 MVA, 3PHASE; AUXILIARY POWER MODIFICATIONS									
H-41-51-3	POWER TRANSFORMER	TRANSFORMER, 480 V FOR DOUBLE ENDED SUBSTATION, 13.8KV-480V,3phase, 2000/2666KVA; AUXILIARY POWER MODIFICATIONS									
	H-41-51 Total										
H-41-55	SWITCHGEAR										
H-41-55-1	SWITCHGEAR	2000A, 13.8KV SWITCHGEAR WITH 2-2000A BREAKERS & 4- 1200A BREAKERS; AUXILIARY POWER MODIFICATIONS									
H-41-55-2	SWITCHGEAR	3200A, 480V SWMTCHEAR WITH - 3200A TIE BREAKER & 8-800A BREAKERS; AUXILIARY POWER MODIFICATIONS									
	H-41-55 Total										
H-41-53	SECURITY SYSTEM										
H-41-53-1	SECURITY SYSTEM	SECURITY SYSTEM; (SDA, FABRIC FILTER) ALLOWANCE									
	H-41-53 Total										
	H-41 Total										
H-42	RACEWAY, CABLE TRAY, & CONDUIT										
H-42-13	CABLE TRAY										

ESTIMATE NO. : 30859B
 PROJECT NO. : 12715.001
 ISSUE DATE : 10/29/2010
 PREP/REV : RCK / MNO
 APPROVED : BJD

[TRADE SECRET DATA BEGINS

OTTER TAIL
 BIG STONE STATION
 DFGD

CONCEPTUAL COST ESTIMATE

PRICE LEVEL: 2010 LOCATION: Sioux Falls, SD

WAGE RATE: PRODUCTIVITY FACTOR:

CODE OF ACCOUNT	DESCRIPTION A	DESCRIPTION B	QTY	UM	EQUIPMENT COST	MATERIAL COST	MAN-HOURS	CREW WAGE RATE	LABOR COST	TOTAL COST
H-42-13-1	CABLE TRAY	CABLE TRAY 36"; LIME SILO & REAGENT PREP BUILDING, RECYCLE BUILDING, BAGHOUSE ENCLOSURE, WATER TREATMENT BUILDING, WASTE BLOWER BUILDING & ELECTRICAL EQUIPMENT BUILDINGS								
H-42-13-2	CABLE TRAY	CABLE TRAY, 24" LIME SILO & REAGENT PREP BUILDING, RECYCLE BUILDING, BAGHOUSE ENCLOSURE, WATER TREATMENT BUILDING, WASTE BLOWER BUILDING & ELECTRICAL EQUIPMENT BUILDINGS								
	H-42-13 Total									
H-42-15	CONDUITS									
H-42-15-1	CONDUITS	MISC SIZES (4" to 6") ENTIRE PROJECT AREA INCLUDING AMMONIA TANK FARM								
H-42-15-2	CONDUITS	MISC SIZES (3/4" to 3") ENTIRE PROJECT AREA INCLUDING AMMONIA TANK FARM								
	H-42-15 Total									
H-42-17	CONDUIT BOX									
H-42-17-1	CONDUIT BOX	MISC. JUNCTION BOXES & PULL BOXES; ENTIRE PROJECT AREA INCLUDING AMMONIA TANK FARM								
	H-42-17 Total									
	H-42 Total									
H-43	CABLE									
H-43-13	CONTROL & INSTRUMENT CABLE									
H-43-13-1	CONTROL & INSTRUMENT CABLE	2/C #14;								
H-43-13-2	CONTROL & INSTRUMENT CABLE	3/C, #14;								
H-43-13-3	CONTROL & INSTRUMENT CABLE	5/C, #14;								
H-43-13-4	CONTROL & INSTRUMENT CABLE	7/C, #14;								
H-43-13-5	CONTROL & INSTRUMENT CABLE	9/C, #14;								
H-43-13-6	CONTROL & INSTRUMENT CABLE	2 PR, #16 TW SHLD;								
H-43-13-7	CONTROL & INSTRUMENT CABLE	FIBER OPTIC CABLE, 2 STRAND;								
H-43-13-8	CONTROL & INSTRUMENT CABLE	FIBER OPTIC CABLE, 6 STRAND;								

TRADE SECRET DATA ENDS]

ESTIMATE NO. 98
 PROJECT NO. 15.001
 ISSUE DATE 10/29/2010
 PREP/REV RCK / MNO
 APPROVED BJD

[TRADE SECRET DATA BEGINS]

OTTER I.
 BIG STONE STATION
 DFGD
 CONCEPTUAL COST ESTIMATE

PRICE LEVEL: 2010 LOCATION: Sioux Falls, SD

WAGE RATE: PRODUCTIVITY FACTOR:

CODE OF ACCOUNT	DESCRIPTION A	DESCRIPTION B	QTY	UM	EQUIPMENT COST	MATERIAL COST	MAN-HOURS	CREW WAGE RATE	LABOR COST	TOTAL COST
H-43-13-9	CONTROL & INSTRUMENT CABLE	FIBER OPTIC CABLE, 12 STRAND;								
H-43-13-10	CONTROL & INSTRUMENT CABLE	FIBER OPTIC CABLE, 24 STRAND;								
H-43-13-11	CONTROL & INSTRUMENT CABLE	CAT 5E								
H-43-13-12	CONTROL & INSTRUMENT CABLE	1 PR, #16 TW SHLD								
H-43-13-13	CONTROL & INSTRUMENT CABLE	1PR #16 TW SHLD; 300 V								
H-43-13-14	CONTROL & INSTRUMENT CABLE	2 PR, #16 TW SHLD; 300 V								
H-43-13-15	CONTROL & INSTRUMENT CABLE	2/C #16 TW SHLD; 300 V								
H-43-13-16	CONTROL & INSTRUMENT CABLE	4/C #16 TW SHLD; 300 V								
H-43-13-17	CONTROL & INSTRUMENT CABLE	INSTRUMENTATION CABLE TERMINATIONS								
	H-43-13 Total									
H-43-17	LOW VOLTAGE POWER CABLE & TERMINATIONS									
H-43-17-1	LOW VOLTAGE POWER CABLE	1/C #750-600V POWER FEEDER CABLE TO MCC & 480V SWGR, 25000'+ 7500								
H-43-17-2	LOW VOLTAGE POWER CABLE	3/C# 350KCMIL, 600 V								
H-43-17-3	LOW VOLTAGE POWER CABLE	3/C, #4/0, 600 V								
H-43-17-4	LOW VOLTAGE POWER CABLE	3/C, #1/0, 600 V								
H-43-17-5	LOW VOLTAGE POWER CABLE	3/C, #2, 600 V								
H-43-17-6	LOW VOLTAGE POWER CABLE	3/C, #4 600 V								
H-43-17-7	LOW VOLTAGE POWER CABLE	3/C, #8 - 600 V								
H-43-17-8	LOW VOLTAGE POWER CABLE	3/C,#8 600 V								
H-43-17-9	LOW VOLTAGE POWER CABLE	3/C, #10, 600 V								
H-43-17-10	LOW VOLTAGE POWER CABLE	#750 KCM WIRE TERMINATIONS + WIRE TAG								
H-43-17-11	LOW VOLTAGE POWER CABLE	#350 KCM WIRE TERMINATIONS + WIRE TAG								
H-43-17-12	LOW VOLTAGE POWER CABLE TERMINATIONS	600V POWER & CONTROL CABLE TERMINATIONS								
	H-43-17 Total									
H-43-21	MEDIUM VOLTAGE POWER CABLE & TERMINATION									
H-43-21-1	MEDIUM VOLTAGE POWER CABLE	1/C # 500KCMIL, 15KV (12000' + 5000')								
H-43-21-2	MEDIUM VOLTAGE POWER CABLE	3/C # 250KCMIL, 15KV, (300' + 1400' + 1600' + 3200')								
H-43-21-3	MEDIUM VOLTAGE POWER CABLE	3/C, #4/0, 15KV								
H-43-21-4	MEDIUM VOLTAGE POWER CABLE TERMINATION	# 250 KCMIL, 15KV WIRE TERMINATIONS + WIRE TAG								
H-43-21-5	MEDIUM VOLTAGE POWER CABLE TERMINATION	# 500 KCMIL, 15KV WIRE TERMINATIONS + WIRE TAG								

ESTIMATE NO. : 30859B
 PROJECT NO. : 12715.001
 ISSUE DATE : 10/29/2010
 PREP/REV : RCK / MNO
 APPROVED : BJD

[TRADE SECRET DATA BEGINS

OTTER TAIL
 BIG STONE STATION
 DFGD

CONCEPTUAL COST ESTIMATE

PRICE LEVEL: 2010 LOCATION: Sioux Falls, SD

WAGE RATE: PRODUCTIVITY FACTOR:

CODE OF ACCOUNT	DESCRIPTION A	DESCRIPTION B	QTY	UM	EQUIPMENT COST	MATERIAL COST	MAN-HOURS	CREW WAGE RATE	LABOR COST	TOTAL COST
H-43-21-6	MEDIUM VOLTAGE POWER CABLE TERMINATION	# 4/0, 5KV WIRE TERMINATIONS + WIRE TAG								
	H-43-21 Total									
	H-43 Total									
H-44	CONTROL & INSTRUMENTATION									
H-44-13	CONTROL SYSTEM									
H-44-13-1	CONTROL SYSTEM	DCS. 2500 I/O POINTS								
H-44-13-2	VENDOR TECHNICAL ADVISORY SERVICE	DCS - VENDOR FIELD SUPPORT, 150 MANDAYS @ \$1500/DAY								
	H-44-13 Total									
H-44-17	INSTRUMENT PANEL, RACK									
H-44-17-1	INSTRUMENT PANEL, RACK	INSTRUMENT RACKS								
	H-44-17 Total									
H-44-21	INSTRUMENT									
H-44-21-1	INSTRUMENT	LOCALLY MOUNTED INSTRUMENTS NOT INCLUDED WITH DFGD EQUIPMENT								
	H-44-21 Total									
	H-44 Total									
H-51	SUBSTATION, SWITCHYARD & TRANSMISSION LINE									
H-51-15	ELECTRICAL EQUIPMENT									
H-51-15-1	ELECTRICAL EQUIPMENT (POWER TRANSFORMER)	RAT/SSST TRANSFORMER, 230KV - 13.8KV, 21/26/35 MVA, 3phase, AUXILIARY POWER MODIFICATIONS								
	H-51-15 Total									
H-51-21	SUBSTATION, SWITCHYARD & TRANSMISSION LINE									
H-51-21-1	SUBSTATION, SWITCHYARD & TRANSMISSION LINE	230KV, 3PHASE BREAKER-2000A CB; 900KV BIL, 50 kA, GAS FILLED (SF6) - INCLUDES SUPPORTS, AUXILIARY POWER MODIFICATIONS								
H-51-21-2	SUBSTATION, SWITCHYARD & TRANSMISSION LINE	BASE FOR 230KV BREAKER, WITH (11'L X 9'W X 1'H) CONCRETE PAD AND STRUCTURE; AUXILIARY POWER MODIFICATIONS								
H-51-21-3	SUBSTATION, SWITCHYARD & TRANSMISSION LINE	230KV, 3PHASE DISCONNECT SWITCH; 2000A - AUXILIARY POWER MODIFICATIONS								

TRADE SECRET DATA ENDS]

ESTIMATE NO : 98
 PROJECT NO : 15.001
 ISSUE DATE : 10/29/2010
 PREP/REV : RCK / MNO
 APPROVED : BJD

[TRADE SECRET DATA BEGINS

OTTER 1,111
 BIG STONE STATION
 DFGD
 CONCEPTUAL COST ESTIMATE

PRICE LEVEL: 2010 LOCATION: Sioux Falls, SD

WAGE RATE: PRODUCTIVITY FACTOR:

CODE OF ACCOUNT	DESCRIPTION A	DESCRIPTION B	QTY	UM	EQUIPMENT COST	MATERIAL COST	MAN-HOURS	CREW WAGE RATE	LABOR COST	TOTAL COST
H-51-21-4	SUBSTATION, SWITCHYARD & TRANSMISSION LINE	BASE FOR 230KV DISCONNECT SWITCH, WITH 2(3'W X 17'L) SECTION & STRUCTURE SUPPORT; AUXILIARY POWER MODIFICATIONS								
H-51-21-5	SUBSTATION, SWITCHYARD & TRANSMISSION LINE	230KV DEAD-END STRUCTURE, WITH 4 SECTIONS & STRUCTURE SUPPORT; AUXILIARY POWER MODIFICATIONS								
H-51-21-6	SUBSTATION, SWITCHYARD & TRANSMISSION LINE	90' POLE FOR 230KV OVERHEAD LINE + CROSS SUPPORT & MISC. HDWR, WITH 3'W X 10'L SECTION - AUXILIARY POWER MODIFICATIONS								
H-51-21-7	SUBSTATION, SWITCHYARD & TRANSMISSION LINE	230KV OVERHEAD LINE CONDUCTORS, 795KCM (1000x3); AUXILIARY POWER MODIFICATIONS								
H-51-21-8	SUBSTATION, SWITCHYARD & TRANSMISSION LINE	230KV INSULATOR F& MISC HDWR FOR OVERHEAD LINE CONDUCTORS; AUXILIARY POWER MODIFICATIONS								
H-51-21-9	ELECTRICAL EQUIPMENT	230KV DEAD-END STRUCTURE, WITH 4 SECTIONS & STRUCTURE SUPPORT; AUXILIARY POWER MODIFICATIONS								
H-51-21-10	ELECTRICAL EQUIPMENT	3-SINGLE PHASE CCVT'S								
H-51-21-11	ELECTRICAL EQUIPMENT	ALLOWANCE FOR SUPPORT STRUCTURES AND FOUNDATION FOR CCVT'S								
	H-51-21 Total									
	H-51 Total									
H-71	PROJECT INDIRECTS									
H-71-55	VENDOR TECHNICAL ADVISORY SERVICE									
H-71-55-1	VENDOR TECHNICAL ADVISORY SERVICE	INCLUDED WITH EQUIPMENT COSTS								
	H-71-55 Total									
	H-71 Total									
	H Total									
I	MISCELLANEOUS BUILDINGS									
I-21	CIVIL WORK									
I-21-17	EARTHWORK, BACKFILL									

TRADE SECRET DATA ENDS]

ESTIMATE NO. : 30859B
 PROJECT NO. : 12715.001
 ISSUE DATE : 10/29/2010
 PREP/REV : RCK / MNO
 APPROVED : BJD

[TRADE SECRET DATA BEGINS

OTTER TAIL
 BIG STONE STATION
 DFGD
 CONCEPTUAL COST ESTIMATE

PRICE LEVEL: 2010 LOCATION: Sioux Falls, SD

WAGE RATE:

PRODUCTIVITY FACTOR:

CODE OF ACCOUNT	DESCRIPTION A	DESCRIPTION B	QTY	UM	EQUIPMENT COST	MATERIAL COST	MAN-HOURS	CREW WAGE RATE	LABOR COST	TOTAL COST
I-21-17-1	EARTHWORK, BACKFILL	WAREHOUSE & LUNCH ROOM, 60'X50'X20'H								
	I-21-17 Total									
I-21-23	EARTHWORK, EXCAVATION									
I-21-23-1	EARTHWORK, EXCAVATION	WAREHOUSE & LUNCH ROOM, 60'X50'X20'H								
	I-21-23 Total									
	I-21 Total									
I-22	CONCRETE									
I-22-13	CONCRETE									
I-22-13-1	CONCRETE	WAREHOUSE & LUNCH ROOM, 60'X50'X20'H								
	I-22-13 Total									
I-22-17	FORMWORK									
I-22-17-1	FORMWORK	WAREHOUSE & LUNCH ROOM, 60'X50'X20'H								
	I-22-17 Total									
I-22-25	REINFORCING									
I-22-25-1	REINFORCING	WAREHOUSE & LUNCH ROOM, 60'X50'X20'H								
	I-22-25 Total									
	I-22 Total									
I-24	ARCHITECTURAL									
I-24-31	MISCELLANEOUS									
I-24-31-1	MISCELLANEOUS	WAREHOUSE & LUNCH ROOM SHELVING								
	I-24-31 Total									
I-24-35	PRE-ENGINEERED BUILDING									
I-24-35-1	PRE-ENGINEERED BUILDING	60'X50'X20'H, INCLUDES SIDING, ROOFING, H&V, LIGHTING, WAREHOUSE & LUNCH ROOM								
	I-24-35 Total									
	I-24 Total									
	I Total									
J	REMOVAL AND RELOCATION OF EXISTING EQUIPMENT AND INFRASTRUCTURE									
J-11	DEMOLITION WORK									
J-11-22	CONCRETE									
J-11-22-1	CONCRETE	ASSUME PORTION OF FOUNDATIONS TO BE LEFT IN PLACE, EXISTING BAGHOUSE								

TRADE SECRET DATA ENDS]

ESTIMATE NO 98
 PROJECT NO 15 001
 ISSUE DATE 10/29/2010
 PREP/REV RCK / MNO
 APPROVED BJD

[TRADE SECRET DATA BEGINS

OTTER TAIL
 BIG STONE STATION
 DFGD
 CONCEPTUAL COST ESTIMATE

PRICE LEVEL: 2010 LOCATION: Sioux Falls, SD

WAGE RATE: PRODUCTIVITY FACTOR:

CODE OF ACCOUNT	DESCRIPTION A	DESCRIPTION B	QTY	UM	EQUIPMENT COST	MATERIAL COST	MAN-HOURS	CREW WAGE RATE	LABOR COST	TOTAL COST
	J-11-22 Total									
J-11-23	STEEL									
J-11-23-1	STEEL	EXISTING BAGHOUSE								
	J-11-23 Total									
J-11-26	DUCTWORK									
J-11-26-1	DUCTWORK	EXISTING BAGHOUSE								
	J-11-26 Total									
J-11-31	MECHANICAL EQUIPMENT									
J-11-31-1	MECHANICAL EQUIPMENT	EXISTING ID FANS								
J-11-31-2	MECHANICAL EQUIPMENT	BAGHOUSE								
	J-11-31 Total									
	J-11 Total									
J-21	CIVIL WORK									
J-21-17	EARTHWORK, BACKFILL									
J-21-17-1	EARTHWORK, BACKFILL	BEDDING FOR UNDERGROUND PIPING								
J-21-17-2	EARTHWORK, BACKFILL	BACKFILL FOR UNDERGROUND PIPING								
	J-21-17 Total									
J-21-25	EARTHWORK, EXCAVATION									
J-21-25-1	EARTHWORK, EXCAVATION	EXCAVATION FOR UNDERGROUND PIPING								
	J-21-25 Total									
	J-21 Total									
J-35	PIPING									
J-35-13										
J-35-13-1	LARGE BORE	6" ASHCOLITE, FLANGED, ASH LINE, ABOVE GROUND, RELOCATE-TEMPORARY PIPE								
J-35-13-2	LARGE BORE	4" HDPE SDR11, INCLUDES FITTINGS, SERVICE WATER, UNDER GROUND, RELOCATE EXISTING PIPE SUPPLY TO FA SILO								
J-35-13-3	LARGE BORE	PIPE SUPPORTS FOR RELOCATED PIPING, ABOVE GROUND								
	J-35-13 Total									
	J-35 Total									
	J Total									
K	NON POWER PRODUCING ASSETS									

TRADE SECRET DATA ENDS]

ESTIMATE NO. : 30859B
 PROJECT NO. : 12715.001
 ISSUE DATE : 10/29/2010
 PREP/REV : RCK / MNO
 APPROVED : BJD

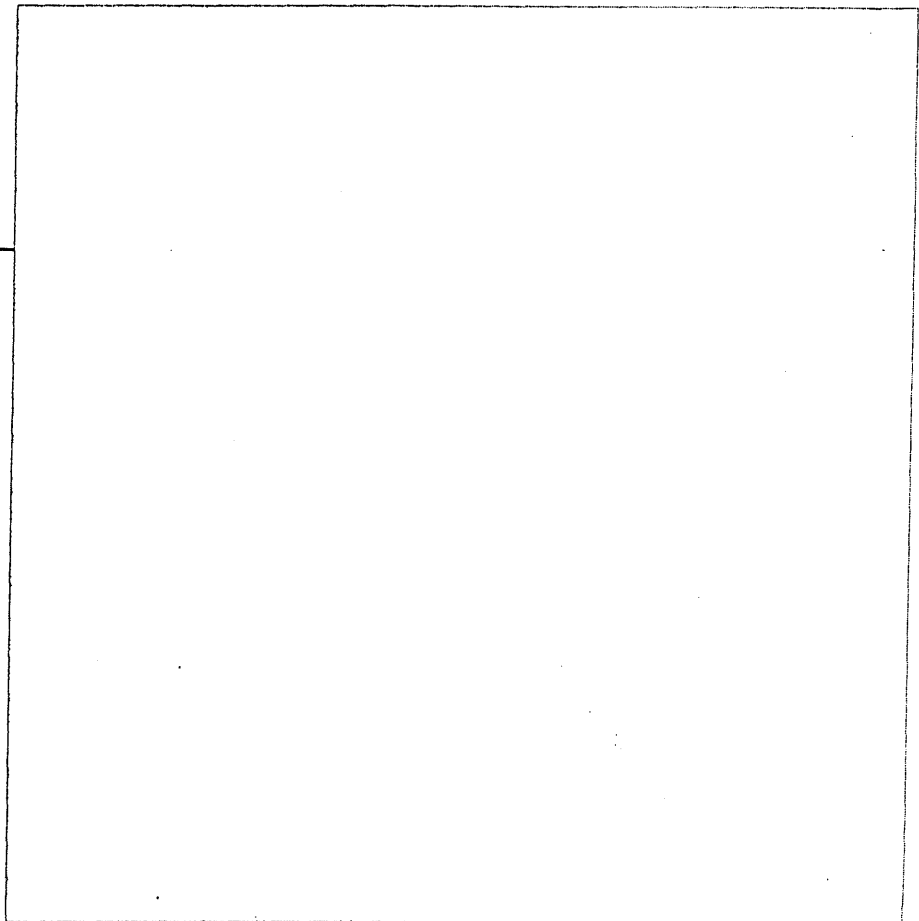
(TRADE SECRET DATA BEGINS)

OTTER TAIL
 BIG STONE STATION
 DFGD
 CONCEPTUAL COST ESTIMATE

PRICE LEVEL: 2010 LOCATION: Sioux Falls, SD

WAGE RATE: PRODUCTIVITY FACTOR:

CODE OF ACCOUNT	DESCRIPTION A	DESCRIPTION B	QTY	UM	EQUIPMENT COST	MATERIAL COST	MAN-HOURS	CREW WAGE RATE	LABOR COST	TOTAL COST
K-81	NON POWER PRODUCING ASSETS									
K-81-13	CONSTRUCTION EQUIPMENT									
K-81-13-1	CONSTRUCTION EQUIPMENT	HEAVY CRANE RENTAL NOT INCLUDED IN THE WAGE RATES. INCLUDES OPERATOR AND OILER								
K-81-13-2	CONSTRUCTION EQUIPMENT	FREIGHT FOR HEAVY CRANE								
K-81-13-3	CONSTRUCTION EQUIPMENT	BUILD AND TEAR DOWN								
	K-81-13 Total									
	K-81 Total									
	K Total									
90	SUBTOTAL DIRECT & CONSTRUCTION INDIRECT COST									
91	OTHER DIRECT & CONSTRUCTION INDIRECT COST									
91-1	SCAFFOLDING - % of ACCT NO. 90									
91-2A	COST DUE TO OVERTIME WORKING 5 -9 HOUR DAYS	95% OF BASE MANHOURS								
91-21A	COST DUE TO OVERTIME INEFFICIENCY - SPECIFY % INEFFICIENCY	95% OF BASE MANHOURS								
91-22A	COST DUE TO OVERTIME PAY @1.5 TIMES OVERTIME PAY RATE - SPECIFY % ADDITIONAL HOURS PAID ON ACTUAL HOURS WORKED									
91-23A	COST DUE TO OVERTIME - ADDITIONAL PER DIEM									
91-2B	COST DUE TO OVERTIME WORKING 7 -10 HOUR DAYS	5% OF BASE MANHOURS								
91-21B	COST DUE TO OVERTIME INEFFICIENCY - SPECIFY % INEFFICIENCY	5% OF BASE MANHOURS								
91-22B	COST DUE TO OVERTIME PAY @1.5 TIMES OVERTIME PAY RATE - SPECIFY % ADDITIONAL HOURS PAID ON ACTUAL HOURS WORKED									
91-23B	COST DUE TO OVERTIME - ADDITIONAL PER DIEM									
91-3	PER DIEM									
91-4	CONSUMABLES - % of ACCT NO. 90									
91-5	FREIGHT ON MATERIAL - % of ACCT NO. 90									
91-6	FREIGHT ON EQUIPMENT - % of ACCT NO. 90									
91-7	SALES TAX - % of ACCT NO. 90	4% SALES TAX ON EQUIPMENT, MATERIAL AND LABOR, PLUS 2% EXCISE TAX ON CONTRACTOR'S GROSS RECEIPTS EXCLUDING OWNER PURCHASED MAJOR MATERIAL WHICH ARE CALCULATED AT 4%								



TRADE SECRET DATA ENDS]

ESTIMATE NO. 9B
 PROJECT NO. 15.001
 ISSUE DATE 10/29/2010
 PREP/REV RCK / MNO
 APPROVED BJD

(TRADE SECRET DATA BEGINS

OTTER T...
 BIG STONE STATION
 DFGD
 CONCEPTUAL COST ESTIMATE

PRICE LEVEL: 2010 LOCATION: Sioux Falls, SD

WAGE RATE: PRODUCTIVITY FACTOR:

CODE OF ACCOUNT	DESCRIPTION A	DESCRIPTION B	QTY	UM	EQUIPMENT COST	MATERIAL COST	MAN-HOURS	CREW WAGE RATE	LABOR COST	TOTAL COST
91-9	CONTRACTOR'S GENERAL AND ADMINISTRATION EXPENSE - % of ACCT NO. 90									
91-10	CONTRACTOR'S PROFIT - % of ACCT NO. 90									
91 - SUBTOTAL										
92	TOTAL DIRECT & CONSTRUCTION INDIRECT COST									
93	INDIRECT COST									
93-1	ENGINEERING, PROCUREMENT, & PROJECT SERVICES - % of ACCT NO. 92									
93-2	CONSTRUCTION MANAGEMENT SUPPORT - % of ACCT NO. 92									
93-3	S-U / COMMISSIONING - % of ACCT NO. 92									
93-3	START-UP SPARE PARTS									
93-4	EXCESS LIABILITY INSURANCE AT 1% OF TOTAL DIRECT COST									
93-4	SALES TAX ON INDIRECTS APPLIED SALES TAX ONLY. ASSUMED EXCISE TAX IS NOT APPLICABLE ON INDIRECTS									
93-5	OWNERS COST - Allowance									
93-5	OWNERS COST - 2 NEW SCRAPERS NOT INCLUDED									
93-6	EPC FEE - NOT INCLUDED									
93 - TOTAL INDIRECT COSTS										
94	TOTAL CONTINGENCY									
94-1	CONTINGENCY ON EQUIPMENT									
94-2	CONTINGENCY ON MATERIAL									
94-3	CONTINGENCY ON LABOR									
94-4	CONTINGENCY ON INDIRECT									
95	TOTAL ESCALATION									
95-1	ESCALATION ON EQUIPMENT									
95-2	ESCALATION ON MATERIAL									
95-3	ESCALATION ON LABOR									
95-4	ESCALATION ON INDIRECT									
96	TOTAL CONSTRUCTION COST									
97	INTEREST DURING CONSTRUCTION BY OTP									

TRADE SECRET DATA ENDS]

ESTIMATE NO. : 30859B
 PROJECT NO. : 12715 001
 ISSUE DATE : 10/29/2010
 PREP/REV : RCK / MNO
 APPROVED : BJD

OTTER TAIL
 BIG STONE STATION
 DFGD

[TRADE SECRET DATA BEGINS

CONCEPTUAL COST ESTIMATE

TRADE SECRET DATA ENDS]

PRICE LEVEL: 2010 LOCATION: Sioux Falls, SD

WAGE RATE:

PRODUCTIVITY FACTOR:

CODE OF ACCOUNT	DESCRIPTION A	DESCRIPTION B	QTY	UM	EQUIPMENT COST	MATERIAL COST	MAN-HOURS	CREW WAGE RATE	LABOR COST	TOTAL COST
98	TOTAL PROJECT COST									303,694,800

Schedule

ADE SECRET DATA BEGINS

TRADE SECRET DATA ENDS]

ADDITIONAL SECRET DATA BEGINS

TRADE SECRET DATA ENDS

ACI Estimate

ESTIMATE NO. : 30918A
PROJECT NO. : 12715.001
ISSUE DATE : 10/29/2010
PREP/REV : RCK / MNO
APPROVED : BJD

OTTER TAIL
BIG STONE STATION
ACTIVATED CARBON INJECTION SYSTEM
CONCEPTUAL COST ESTIMATE

[TRADE SECRET DATA BEGINS

CODE OF ACCOUNT	DESCRIPTION A	EQUIPMENT COST	MATERIAL COST	LABOR COST	TOTAL COST
A	ACTIVATED CARBON INJECTION				
A -21	CIVIL WORK				
A -21-17 Total	EARTHWORK, BACKFILL				
A -21-23 Total	EARTHWORK, EXCAVATION				
A -21 Total	CIVIL WORK				
A -22	CONCRETE				
A -22-13 Total	CONCRETE				
A -22-15 Total	EMBEDMENT				
A -22-17 Total	FORMWORK				
A -22-25 Total	REINFORCING				
A -22 Total	CONCRETE				
A -23	STEEL				
A -23-25 Total	ROLLED SHAPE - STRUCTURAL STEEL				
A -23 Total	STEEL				
A -24	ARCHITECTURAL				
A -24-35 Total	PRE-ENGINEERED BUILDING				
A -24 Total	ARCHITECTURAL				
A -31	MECHANICAL EQUIPMENT				
A -31-51 Total	ACTIVATED CARBON INJECTION				
A -31 Total	MECHANICAL EQUIPMENT				
A Total	ACTIVATED CARBON INJECTION				
B	MECHANICAL - BALANCE OF PLANT				
B-35	PIPING				
B-35-13 Total	LARGE BORE				
B-35-15 Total	SMALL BORE				
B-35 Total	PIPING				
B Total	MECHANICAL - BALANCE OF PLANT				
C	ELECTRICAL - AUXILIARY POWER AND BALANCE OF PLANT ELECTRICAL WORK				
C-41	ELECTRICAL EQUIPMENT				
C-41-17 Total	COMMUNICATION SYSTEM				
C-41-31 Total	GROUNDING				
C-41-35 Total	LIGHTNING PROTECTION				
C-41-45 Total	MOTOR CONTROL CENTER (MCC)				
C-41-47 Total	PANEL: CONTROL, DISTRIBUTION, & RELAY				
C-41-51 Total	POWER TRANSFORMER				
C-41 Total	ELECTRICAL EQUIPMENT				
C-42	RACEWAY, CABLE TRAY, & CONDUIT				
C-42-13 Total	CABLE TRAY				
C-42-15 Total	CONDUITS				
C-42-17 Total	CONDUIT BOX				
C-42 Total	RACEWAY, CABLE TRAY, & CONDUIT				
C-43	CABLE				
C-43-13 Total	CONTROL & INSTRUMENT CABLE				

TRADE SECRET DATA ENDS]

ESTIMATE NO. : 30916A
 PROJECT NO. : 12715 001
 ISSUE DATE : 10/29/2010
 PREP/REV : RCK / MHO
 APPROVED : BJD

OTTER TAIL
 BIG STONE STATION
 ACTIVATED CARBON INJECTION SYSTEM
 CONCEPTUAL COST ESTIMATE

[TRADE SECRET DATA BEGINS

CODE OF ACCOUNT	DESCRIPTION A	EQUIPMENT COST	MATERIAL COST	LABOR COST	TOTAL COST
C-43-17 Total	LOW VOLTAGE POWER CABLE & TERMINATIONS				
C-43 Total	CABLE				
C-44	CONTROL & INSTRUMENTATION				
C-44-13 Total	CONTROL SYSTEM				
C-44-21 Total	INSTRUMENT				
C-44 Total	CONTROL & INSTRUMENTATION				
C Total	ELECTRICAL - AUXILIARY POWER AND BALANCE OF PLANT ELECTRICAL WORK				
D	NON POWER PRODUCING ASSETS				
D-81	NON POWER PRODUCING ASSETS				
D-81-13 Total	CONSTRUCTION EQUIPMENT				
D-81 Total	NON POWER PRODUCING ASSETS				
D Total	NON POWER PRODUCING ASSETS				
90	SUBTOTAL DIRECT & CONSTRUCTION INDIRECT COST				
91	OTHER DIRECT & CONSTRUCTION INDIRECT COST				
91-1	SCAFFOLDING - % of ACCT NO. 90				
91-2A	COST DUE TO OVERTIME WORKING 5 -9 HOUR DAYS				
91-21A	COST DUE TO OVERTIME INEFFICIENCY - SPECIFY % INEFFICIENCY				
91-22A	COST DUE TO OVERTIME PAY @1.5 TIMES OVERTIME PAY RATE - SPECIFY % ADDITIONAL HOURS PAID ON ACTUAL HOURS WORKED				
91-23A	COST DUE TO OVERTIME - ADDITIONAL PER DIEM				
91-3	PER DIEM				
91-4	CONSUMABLES - % of ACCT NO. 90				
91-5	FREIGHT ON MATERIAL - % of ACCT NO. 90				
91-6	FREIGHT ON EQUIPMENT - % of ACCT NO. 90				
91-7	SALES TAX - % of ACCT NO. 90				
91-9	CONTRACTOR'S GENERAL AND ADMINISTRATION EXPENSE - % of ACCT NO. 90				
91-10	CONTRACTOR'S PROFIT - % of ACCT NO. 90				
	91 - SUBTOTAL				
92	TOTAL DIRECT & CONSTRUCTION INDIRECT COST				
93	INDIRECT COST				
93-1	ENGINEERING, PROCUREMENT, & PROJECT SERVICES - % of ACCT NO. 92				
93-2	CONSTRUCTION MANAGEMENT SUPPORT - % of ACCT NO. 92				
93-3	S-U / COMMISSIONING - % of ACCT NO. 92				
93-3	START-UP SPARE PARTS				

TRADE SECRET DATA ENDS]

PUBLIC DOCUMENT - TRADE SECRET - PRIVATE DATA HAS BEEN EXCISED

ESTIMATE NO. : 30916A
 PROJECT NO. : 12715 001
 ISSUE DATE : 10/29/2010
 PREP/REV : RCK / MNO
 APPROVED : BJD

OTTER TAIL
 BIG STONE STATION
 ACTIVATED CARBON INJECTION SYSTEM
 CONCEPTUAL COST ESTIMATE

[TRADE SECRET DATA BEGINS

CODE OF ACCOUNT	DESCRIPTION A	EQUIPMENT COST	MATERIAL COST	LABOR COST	TOTAL COST
93-4	EXCESS LIABILITY INSURANCE				
93-4	SALES TAX ON INDIRECTS				
93-5	OWNERS COST - NOT INCLUDED				
93-6	EPC FEE- NOT INCLUDED				
93 - TOTAL INDIRECT COSTS					
94	TOTAL CONTINGENCY				
94-1	CONTINGENCY ON EQUIPMENT				
94-2	CONTINGENCY ON MATERIAL				
94-3	CONTINGENCY ON LABOR				
94-4	CONTINGENCY ON INDIRECT				
95	TOTAL ESCALATION				
95-1	ESCALATION ON EQUIPMENT				
95-2	ESCALATION ON MATERIAL				
95-3	ESCALATION ON LABOR				
95-4	ESCALATION ON INDIRECT				
96	TOTAL CONSTRUCTION COST				
97	INTEREST DURING CONSTRUCTION				
98	TOTAL PROJECT COST				5,012,700

TRADE SECRET DATA ENDS]

ESTIMATE NO. : 30918A
 PROJECT NO. : 12715.001
 ISSUE DATE : 10/29/2010
 PREP/REV : RCK / MNO
 APPROVED : BJD

[TRADE SECRET DATA BEGINS

OTTER TAIL
 BIG STONE STATION
 ACTIVATED CARBON INJECTION SYSTEM
 CONCEPTUAL COST ESTIMATE

PRICE LEVEL: 2010 LOCATION: Sioux Falls, SD

WAGE RATE: PRODUCTIVITY FACTOR:

CODE OF ACCOUNT	DESCRIPTION A	DESCRIPTION B	QTY	UM	EQUIPMENT COST	MATERIAL COST	MAN-HOURS	CREW WAGE RATE	LABOR COST	TOTAL COST
A	ACTIVATED CARBON INJECTION									
A -21	CIVIL WORK									
A -21-17	EARTHWORK, BACKFILL									
A -21-17-1	EARTHWORK, BACKFILL	FOUNDATIONS FOR ACI SILO								
A -21-17-2	EARTHWORK, BACKFILL	FOUNDATIONS FOR ELECTRICAL EQUIPMENT ENCLOSURE, (15'x20'x20'H)								
	A -21-17 Total									
A -21-23	EARTHWORK, EXCAVATION									
A -21-23-1	EARTHWORK, EXCAVATION	FOUNDATIONS FOR ACI SILO								
A -21-23-2	EARTHWORK, EXCAVATION	FOUNDATIONS FOR ELECTRICAL EQUIPMENT ENCLOSURE, (15'x20'x20'H)								
	A -21-23 Total									
	A -21 Total									
A -22	CONCRETE									
A -22-13	CONCRETE									
A -22-13-1	CONCRETE	FOUNDATIONS FOR ACI SILO								
A -22-13-2	CONCRETE	FOUNDATIONS FOR ELECTRICAL EQUIPMENT ENCLOSURE, (15'x20'x20'H)								
	A -22-13 Total									
A -22-15	EMBEDMENT									
A -22-15-1	EMBEDMENT	FOUNDATIONS FOR ACI SILO								
A -22-15-2	EMBEDMENT	FOUNDATIONS FOR ELECTRICAL EQUIPMENT ENCLOSURE, (15'x20'x20'H)								
	A -22-15 Total									
A -22-17	FORMWORK									
A -22-17-1	FORMWORK	FOUNDATIONS FOR ACI SILO								
A -22-17-2	FORMWORK	FOUNDATIONS FOR ELECTRICAL EQUIPMENT ENCLOSURE, (15'x20'x20'H)								
	A -22-17 Total									
A -22-25	REINFORCING									
A -22-25-1	REINFORCING	FOUNDATIONS FOR ACI SILO								
A -22-25-2	REINFORCING	FOUNDATIONS FOR ELECTRICAL EQUIPMENT ENCLOSURE, (15'x20'x20'H)								
	A -22-25 Total									
	A -22 Total									
A -23	STEEL									
A -23-25	ROLL FORM SHAPES - STRUCTURAL STEEL									

TRADE SECRET (TA ENDS)

ESTIMATE NO. 8A
 PROJECT NO. 15 001
 ISSUE DATE 10/29/2010
 PREP/REV RCK / MNO
 APPROVED BJD

[TRADE SECRET DATA BEGINS

OTTER TAIL
 BIG STONE STATION
 ACTIVATED CARBON INJECTION SYSTEM
 CONCEPTUAL COST ESTIMATE

PRICE LEVEL: 2010 LOCATION: Sioux Falls, SD

WAGE RATE: PRODUCTIVITY FACTOR:

CODE OF ACCOUNT	DESCRIPTION A	DESCRIPTION B	QTY	UM	EQUIPMENT COST	MATERIAL COST	MAN-HOURS	CREW WAGE RATE	LABOR COST	TOTAL COST
A -23-25-1	STRUCTURAL STEEL	SUPPORT STEEL FOR ACI SILO SUPPLIED BY OEM, INSTALLED BY GWC								
	A -23-25 Total									
	A -23 Total									
A -24	ARCHITECTURAL									
A -24-35	PRE-ENGINEERED BUILDING									
A -24-35-1	PRE-ENGINEERED BUILDING	15x20x20'H ENCLOSURE HOUSES MCC'S AND CONTROL PANELS, H&V AND LIGHTING								
	A -24-35 Total									
	A -24 Total									
A -31	MECHANICAL EQUIPMENT									
A -31-51	ACTIVATED CARBON INJECTION									
A -31-51-1	ACTIVATED CARBON INJECTION	TRUCK UNLOADING PANEL, SILO AND FEED SYSTEM EQUIPMENT INCLUDING UNLOADING PIPING, BLOWERS, FEEDERS, BIN VENTS, STAIRWAY, INJECTION MANIFOLD/LANCES AND PORTS, CFD MODELING, SILO INSTRUMENTATION, (14" DIAMETER SILO)								
	A -31-51 Total									
	A -31 Total									
	A Total									
B	MECHANICAL - BALANCE OF PLANT									
B-35	PIPING									
B-35-13	LARGE BORE									
B-35-13-1	LARGE BORE	3" CS, SCH 40, INCLUDES FITTINGS, ACI								
B-35-13-2	LARGE BORE	4" CS, SCH 40, INCLUDES FITTINGS, ACI PIPING								
B-35-13-3	LARGE BORE VALVE	4" CS GATE CLASS 150								
B-35-13-4	LARGE BORE VALVE	3" CS GATE CLASS 150								
B-35-13-5	LARGE BORE PIPE SUPPORTS									
	B-35-13 Total									
B-35-15	SMALL BORE									
B-35-15-1	SMALL BORE	2" CS, SCH 80, INCLUDES FITTINGS, ACI SYSTEM								

TRADE SECRET DATA ENDS]

ESTIMATE NO. : 30918A
 PROJECT NO. : 12715.001
 ISSUE DATE : 10/29/2010
 PREP/REV : RCK / MNO
 APPROVED : BJD

OTTER TAIL
 BIG STONE STATION
 ACTIVATED CARBON INJECTION SYSTEM
 CONCEPTUAL COST ESTIMATE

[TRADE SECRET DATA BEGINS

PRICE LEVEL: 2010 LOCATION: Sioux Falls, SD

WAGE RATE: PRODUCTIVITY FACTOR:

CODE OF ACCOUNT	DESCRIPTION A	DESCRIPTION B	QTY	UM	EQUIPMENT COST	MATERIAL COST	MAN-HOURS	CREW WAGE RATE	LABOR COST	TOTAL COST
B-35-15-2	SMALL BORE	SMALL BORE VALVES, CS WELDED								
B-35-15-3	SMALL BORE	INSTRUMENT TUBING								
B-35-15-4	SMALL BORE PIPE SUPPORTS									
	B-35-15 Total									
	B-35 Total									
	B Total									
C	ELECTRICAL - AUXILIARY POWER AND BALANCE OF PLANT ELECTRICAL WORK									
C-41	ELECTRICAL EQUIPMENT									
C-41-17	COMMUNICATION SYSTEM									
C-41-17-1	COMMUNICATION SYSTEM	PA / PAGE PARTY EXTENSION SYSTEM, ACI SYSTEM								
C-41-17-2	COMMUNICATION SYSTEM	DATA COM EXTENSION SYSTEM - ACI SYSTEM								
C-41-17-3	COMMUNICATION SYSTEM	TELEPHONE EXTENSION SYSTEM - ACI SYSTEM								
	C-41-17 Total									
C-41-31	GROUNDING									
C-41-31-1	GROUNDING	GROUNDING; INCLUDING GND ROD, BARE WIRE & TERMINATION / CAD WELD - FOR THE ENTIRE PROJECT AREA INCLUDING AMMONIA TANK FARM								
	C-41-31 Total									
C-41-35	LIGHTNING PROTECTION									
C-41-35-1	LIGHTNING PROTECTION	#500 KCMIL								
C-41-35-2	LIGHTNING PROTECTION	#4/0 BARE COPPER								
C-41-35-3	LIGHTNING PROTECTION	CAD WELD & WIRE TERMINATION								
	C-41-35 Total									
C-41-45	MOTOR CONTROL CENTER (MCC)									
C-41-45-1	MOTOR CONTROL CENTER (MCC)	MCC-400A, 480V, 3 PHASE; AUXILIARY POWER MODIFICATIONS								
	C-41-45 Total									
C-41-47	PANEL: CONTROL, DISTRIBUTION, & RELAY									
C-41-47-1	PANEL: CONTROL, DISTRIBUTION, & RELAY	PROTECTIVE RELAY PANELS & MISC HDWR (ALLOWANCE)								
	C-41-47 Total									
C-41-51	POWER TRANSFORMER									

TRADE SECRET DATA ENDS]

ESTIMATE N 18A
 PROJECT NO .715.001
 ISSUE DATE : 10/29/2010
 PREP/REV : RCK / MNO
 APPROVED : BJD

OTTER ...
 BIG STONE STATION
 ACTIVATED CARBON INJECTION SYSTEM
 CONCEPTUAL COST ESTIMATE

PRICE LEVEL: 2010 LOCATION: Sioux Falls, SD

WAGE RATE: PRODUCTIVITY FACTOR:

CODE OF ACCOUNT	DESCRIPTION A	DESCRIPTION B	QTY	UM	EQUIPMENT COST	MATERIAL COST	MAN-HOURS	CREW WAGE RATE	LABOR COST	TOTAL COST
C-41-51-1	POWER TRANSFORMER	LIGHTING TRANSFORMERS 45KVA, 480V, 3 PHASE. LOW VOLTAGE XFMR; AUXILIARY POWER MODIFICATIONS								
	C-41-51 Total									
	C-41 Total									
C-42	RACEWAY, CABLE TRAY, & CONDUIT									
C-42-13	CABLE TRAY									
C-42-13-1	CABLE TRAY	CABLE TRAY, 24" LIME SILO & REAGENT PREP BUILDING, RECYCLE BUILDING, BAGHOUSE ENCLOSURE, WATER TREATMENT BUILDING, WASTE BLOWER BUILDING & ELECTRICAL EQUIPMENT BUILDINGS								
	C-42-13 Total									
C-42-15	CONDUITS									
C-42-15-1	CONDUITS	MISC SIZES (3/4" to 3") ENTIRE PROJECT AREA INCLUDING AMMONIA TANK FARM								
	C-42-15 Total									
C-42-17	CONDUIT BOX									
C-42-17-1	CONDUIT BOX	MISC. JUNCTION BOXES & PULL BOXES, ENTIRE PROJECT AREA INCLUDING AMMONIA TANK FARM								
	C-42-17 Total									
	C-42 Total									
C-43	CABLE									
C-43-13	CONTROL & INSTRUMENT CABLE									
C-43-13-1	CONTROL & INSTRUMENT CABLE	2/C #14;								
C-43-13-2	CONTROL & INSTRUMENT CABLE	2 PR, #16 TW SHLD;								
C-43-13-3	CONTROL & INSTRUMENT CABLE	FIBER OPTIC CABLE, 24 STRAND;								
C-43-13-4	CONTROL & INSTRUMENT CABLE	CAT 5E								
C-43-13-5	CONTROL & INSTRUMENT CABLE	INSTRUMENTATION CABLE TERMINATIONS								
	C-43-13 Total									
C-43-17	LOW VOLTAGE POWER CABLE & TERMINATIONS									
C-43-17-1	LOW VOLTAGE POWER CABLE	3/C, #4/0, 600 V								
C-43-17-2	LOW VOLTAGE POWER CABLE	3/C, #1/0, 600 V								

ESTIMATE NO. : 30918A
 PROJECT NO. : 12715.001
 ISSUE DATE : 10/29/2010
 PREP/REV : RCK / MNO
 APPROVED : BJD

[TRADE SECRET DATA BEGINS

OTTER TAIL
 BIG STONE STATION
 ACTIVATED CARBON INJECTION SYSTEM
 CONCEPTUAL COST ESTIMATE

PRICE LEVEL: 2010 LOCATION: Sioux Falls, SD

WAGE RATE: PRODUCTIVITY FACTOR:

CODE OF ACCOUNT	DESCRIPTION A	DESCRIPTION B	QTY	UM	EQUIPMENT COST	MATERIAL COST	MAN-HOURS	CREW WAGE RATE	LABOR COST	TOTAL COST
C-43-17-3	LOW VOLTAGE POWER CABLE TERMINATIONS	800V POWER & CONTROL CABLE TERMINATIONS								
	C-43-17 Total									
	C-43 Total									
C-44	CONTROL & INSTRUMENTATION									
C-44-13	CONTROL SYSTEM									
C-44-13-1	CONTROL SYSTEM	PLC BASED CONTROLS. DFGD DCS SYSTEM WILL HAVE CAPABILITY TO COMMUNICATE WITH THE PLC								
C-44-13-2	VENDOR TECHNICAL ADVISORY SERVICE	NOT REQUIRED FOR PLC								
	C-44-13 Total									
C-44-21	INSTRUMENT									
C-44-21-1	INSTRUMENT	LOCALLY MOUNTED INSTRUMENTS								
	C-44-21 Total									
	C-44 Total									
	C Total									
D	NON POWER PRODUCING ASSETS									
D-81	NON POWER PRODUCING ASSETS									
D-81-13	CONSTRUCTION EQUIPMENT									
D-81-13-1	CONSTRUCTION EQUIPMENT	HEAVY CRANE RENTAL NOT INCLUDED IN THE WAGE RATES. INCLUDES OPERATOR AND OILER								
D-81-13-2	CONSTRUCTION EQUIPMENT	FREIGHT FOR HEAVY CRANE								
D-81-13-3	CONSTRUCTION EQUIPMENT	BUILD AND TEAR DOWN								
	D-81-13 Total									
	D-81 Total									
	D Total									
90	SUBTOTAL DIRECT & CONSTRUCTION INDIRECT COST									
91	OTHER DIRECT & CONSTRUCTION INDIRECT COST									
91-1	SCAFFOLDING - % of ACCT NO. 90									
91-2A	COST DUE TO OVERTIME WORKING 5-9 HOUR DAYS	95% OF BASE MANHOURS								
91-21A	COST DUE TO OVERTIME INEFFICIENCY - SPECIFY % INEFFICIENCY	95% OF BASE MANHOURS								
91-22A	COST DUE TO OVERTIME PAY @1.5 TIMES OVERTIME PAY RATE - SPECIFY % ADDITIONAL HOURS PAID ON ACTUAL HOURS WORKED									

TRADE SECRET DATA ENDS]

ESTIMATE NO. 8A
 PROJECT NO. 15.001
 ISSUE DATE 10/29/2010
 PREP/REV RCK / MNO
 APPROVED BJD

(TRADE SECRET DATA BEGINS)

OTTER TAIL
 BIG STONE STATION
 ACTIVATED CARBON INJECTION SYSTEM
 CONCEPTUAL COST ESTIMATE

PRICE LEVEL: 2010 LOCATION: Sioux Falls, SD

WAGE RATE: PRODUCTIVITY FACTOR:

CODE OF ACCOUNT	DESCRIPTION A	DESCRIPTION B	QTY	UM	EQUIPMENT COST	MATERIAL COST	MAN-HOURS	CREW WAGE RATE	LABOR COST	TOTAL COST
91-23A	COST DUE TO OVERTIME - ADDITIONAL PER DIEM									
91-3	PER DIEM									
91-4	CONSUMABLES - % of ACCT NO. 90									
91-5	FREIGHT ON MATERIAL - % of ACCT NO. 90									
91-6	FREIGHT ON EQUIPMENT - % of ACCT NO. 90									
91-7	SALES TAX - % of ACCT NO. 90									
		4% SALES TAX ON EQUIPMENT, MATERIAL AND LABOR, PLUS 2% EXCISE TAX ON CONTRACTOR'S GROSS RECEIPTS EXCLUDING OWNER PURCHASED MAJOR MATERIAL WHICH ARE CALCULATED AT 4%								
91-9	CONTRACTOR'S GENERAL AND ADMINISTRATION EXPENSE - % of ACCT NO. 90									
91-10	CONTRACTOR'S PROFIT - % of ACCT NO. 90									
91 - SUBTOTAL										
92	TOTAL DIRECT & CONSTRUCTION INDIRECT COST									
93	INDIRECT COST									
93-1	ENGINEERING, PROCUREMENT, & PROJECT SERVICES - % of ACCT NO. 92									
93-2	CONSTRUCTION MANAGEMENT SUPPORT - % of ACCT NO. 92									
93-3	S-U / COMMISSIONING - % of ACCT NO. 92									
93-3	START-UP SPARE PARTS									
93-4	EXCESS LIABILITY INSURANCE									
		AT 1% OF TOTAL DIRECT COST								
93-4	SALES TAX ON INDIRECTS									
		APPLIED SALES TAX ONLY. ASSUMED EXCISE TAX IS NOT APPLICABLE ON INDIRECTS								
93-5	OWNERS COST - NOT INCLUDED									
93-6	EPC FEE - NOT INCLUDED									
93 - TOTAL INDIRECT COSTS										
94	TOTAL CONTINGENCY									
94-1	CONTINGENCY ON EQUIPMENT									

ESTIMATE NO. : 30918A
 PROJECT NO. : 12715.001
 ISSUE DATE : 10/29/2010
 PREP/REV : RCK / MNO
 APPROVED : BJD

[TRADE SECRET DATA BEGINS]

OTTER TAIL
 BIG STONE STATION
 ACTIVATED CARBON INJECTION SYSTEM
 CONCEPTUAL COST ESTIMATE

PRICE LEVEL: 2010 LOCATION: Sioux Falls, SD

WAGE RATE: PRODUCTIVITY FACTOR:

CODE OF ACCOUNT	DESCRIPTION A	DESCRIPTION B	QTY	UM	EQUIPMENT COST	MATERIAL COST	MAN-HOURS	CREW WAGE RATE	LABOR COST	TOTAL COST
94-2	CONTINGENCY ON MATERIAL									
94-3	CONTINGENCY ON LABOR									
94-4	CONTINGENCY ON INDIRECT									
95	TOTAL ESCALATION									
95-1	ESCALATION ON EQUIPMENT									
95-2	ESCALATION ON MATERIAL									
95-3	ESCALATION ON LABOR									
95-4	ESCALATION ON INDIRECT									
96	TOTAL CONSTRUCTION COST									
97	INTEREST DURING CONSTRUCTION	BY OTP								
98	TOTAL PROJECT COST									5,012,700

TRADE SECRET DATA ENDS]

Water Estimate

ESTIMATE NO. : 30919A
PROJECT NO. : 12715.001
ISSUE DATE : 10/29/2010
PREP/REV : RCK / MNO
APPROVED : BJD

OTTER TAIL
BIG STONE STATION
WATER TREATMENT SYSTEM
CONCEPTUAL COST ESTIMATE

[TRADE SECRET DATA BEGINS]

CODE OF ACCOUNT	DESCRIPTION A	EQUIPMENT COST	MATERIAL COST	LABOR COST	TOTAL COST
A	WATER TREATMENT				
A-21	CIVIL WORK				
A-21-17 Total	EARTHWORK, BACKFILL				
A-21-23 Total	EARTHWORK, EXCAVATION				
A-21 Total	CIVIL WORK				
A-22	CONCRETE				
A-22-13 Total	CONCRETE				
A-22-15 Total	EMBEDMENT				
A-22-17 Total	FORMWORK				
A-22-25 Total	REINFORCING				
A-22 Total	CONCRETE				
A-24	ARCHITECTURAL				
A-24-35 Total	PRE-ENGINEERED BUILDING				
A-24 Total	ARCHITECTURAL				
A-31	MECHANICAL EQUIPMENT				
A-31-93 Total	WATER TREATMENT SYSTEM				
A-31 Total	MECHANICAL EQUIPMENT				
A-34	HVAC				
A-34-53 Total	UNIT HEATER				
A-34 Total	HVAC				
A-41	ELECTRICAL EQUIPMENT				
A-41-37 Total	LIGHTING ACCESSORY (FIXTURE)				
A-41 Total	ELECTRICAL EQUIPMENT				
A Total	WATER TREATMENT				
B	MECHANICAL - BALANCE OF PLANT				
B-35	PIPING				
B-35-13 Total					
B-35-15 Total					
B-35 Total	PIPING				
B-41	ELECTRICAL EQUIPMENT				
B-41-33 Total	HEAT TRACING				
B-41 Total	ELECTRICAL EQUIPMENT				
B Total	MECHANICAL - BALANCE OF PLANT				
C	ELECTRICAL - AUXILIARY POWER AND BALANCE OF PLANT ELECTRICAL WORK				
C-41	ELECTRICAL EQUIPMENT				
C-41-17 Total	COMMUNICATION SYSTEM				
C-41-31 Total	GROUNDING				
C-41-35 Total	LIGHTNING PROTECTION				
C-41-45 Total	MOTOR CONTROL CENTER (MCC)				
C-41-47 Total	PANEL: CONTROL, DISTRIBUTION, & RELAY				
C-41-51 Total	POWER TRANSFORMER				
C-41 Total	ELECTRICAL EQUIPMENT				
C-42	RACEWAY, CABLE TRAY, & CONDUIT				

TRADE SECRET DATA ENDS]

ESTIMATE NO. : 30919A
 PROJECT NO. : 12715.001
 ISSUE DATE : 10/29/2010
 PREP/REV : RCK / MNO
 APPROVED : BJD

OTTER TAIL
 BIG STONE STATION
 WATER TREATMENT SYSTEM
 CONCEPTUAL COST ESTIMATE

[TRADE SECRET DATA BEGINS

CODE OF ACCOUNT	DESCRIPTION A	EQUIPMENT COST	MATERIAL COST	LABOR COST	TOTAL COST
C-42-13 Total	CABLE TRAY				
C-42-15 Total	CONDUITS				
C-42-17 Total	CONDUIT BOX				
C-42 Total	RACEWAY, CABLE TRAY, & CONDUIT				
C-43	CABLE				
C-43-13 Total	CONTROL & INSTRUMENT CABLE				
C-43-17 Total	LOW VOLTAGE POWER CABLE & TERMINATIONS				
C-43 Total	CABLE				
C-44	CONTROL & INSTRUMENTATION				
C-44-13 Total	CONTROL SYSTEM				
C-44-21 Total	INSTRUMENT				
C-44 Total	CONTROL & INSTRUMENTATION				
C Total	ELECTRICAL - AUXILIARY POWER AND BALANCE OF PLANT ELECTRICAL WORK				
D	NON POWER PRODUCING ASSETS				
D-81	NON POWER PRODUCING ASSETS				
D-81-13 Total	CONSTRUCTION EQUIPMENT				
D-81 Total	NON POWER PRODUCING ASSETS				
D Total	NON POWER PRODUCING ASSETS				
90	SUBTOTAL DIRECT & CONSTRUCTION INDIRECT COST				
91	OTHER DIRECT & CONSTRUCTION INDIRECT COST				
91-1	SCAFFOLDING - % of ACCT NO. 90				
91-2A	COST DUE TO OVERTIME WORKING 5-9 HOUR DAYS				
91-21A	COST DUE TO OVERTIME INEFFICIENCY - SPECIFY % INEFFICIENCY				
91-22A	COST DUE TO OVERTIME PAY @1.5 TIMES OVERTIME PAY RATE - SPECIFY % ADDITIONAL HOURS PAID ON ACTUAL HOURS WORKED				
91-23A	COST DUE TO OVERTIME - ADDITIONAL PER DIEM				
91-3	PER DIEM				
91-4	CONSUMABLES - % of ACCT NO. 90				
91-5	FREIGHT ON MATERIAL - % of ACCT NO. 90				
91-6	FREIGHT ON EQUIPMENT - % of ACCT NO. 90				
91-7	SALES TAX - % of ACCT NO. 90				
91-9	CONTRACTOR'S GENERAL AND ADMINISTRATION EXPENSE - % of ACCT NO. 90				
91-10	CONTRACTOR'S PROFIT - % of ACCT NO. 90				
	91 - SUBTOTAL				
92	TOTAL DIRECT & CONSTRUCTION INDIRECT COST				
93	INDIRECT COST				
93-1	ENGINEERING, PROCUREMENT, & PROJECT SERVICES - % of ACCT NO. 92				

TRADE SECRET DATA ENDS]

ESTIMATE NO. : 30919A
 PROJECT NO. : 12715.001
 ISSUE DATE : 10/29/2010
 PREP/REV : RCK / MNO
 APPROVED : BJD

OTTER TAIL
 BIG STONE STATION
 WATER TREATMENT SYSTEM
 CONCEPTUAL COST ESTIMATE

[TRADE SECRET DATA BEGINS

CODE OF ACCOUNT	DESCRIPTION A	EQUIPMENT COST	MATERIAL COST	LABOR COST	TOTAL COST
93-2	CONSTRUCTION MANAGEMENT SUPPORT - % of ACCT NO. 92				
93-3	S-U / COMMISSIONING - % of ACCT NO. 92				
93-3	START-UP SPARE PARTS				
93-4	EXCESS LIABILITY INSURANCE				
93-4	SALES TAX ON INDIRECTS				
93-5	OWNERS COST - NOT INCLUDED				
93-6	EPC FEE - NOT INCLUDED				
93 - TOTAL INDIRECT COSTS					
94	TOTAL CONTINGENCY				
94-1	CONTINGENCY ON EQUIPMENT				
94-2	CONTINGENCY ON MATERIAL				
94-3	CONTINGENCY ON LABOR				
94-4	CONTINGENCY ON INDIRECT				
95	TOTAL ESCALATION				
95-1	ESCALATION ON EQUIPMENT				
95-2	ESCALATION ON MATERIAL				
95-3	ESCALATION ON LABOR				
95-4	ESCALATION ON INDIRECT				
96	TOTAL CONSTRUCTION COST				
97	INTEREST DURING CONSTRUCTION				
98	TOTAL PROJECT COST				13,086,900

TRADE SECRET DATA ENDS]

ESTIMATE N 19A
 PROJECT NCL 715.001
 ISSUE DATE 10/29/2010
 PREP/REV RCK / MNO
 APPROVED BJD

[TRADE SECRET DATA BEGINS

OTTER
 BIG STONE STATION
 WATER TREATMENT SYSTEM
 CONCEPTUAL COST ESTIMATE

PRICE LEVEL: 2010 LOCATION: Sioux Falls, SD

WAGE RATE: PRODUCTIVITY FACTOR:

CODE OF ACCOUNT	DESCRIPTION A	DESCRIPTION B	QTY	UM	EQUIPMENT COST	MATERIAL COST	MAN-HOURS	CREW WAGE RATE	LABOR COST	TOTAL COST
A	WATER TREATMENT									
A-21	CIVIL WORK									
A-21-17	EARTHWORK, BACKFILL									
A-21-17-1	EARTHWORK, BACKFILL	WATER TREATMENT BUILDING , 120'X100'X40'H								
	A-21-17 Total									
A-21-23	EARTHWORK, EXCAVATION									
A-21-23-1	EARTHWORK, EXCAVATION	WATER TREATMENT BUILDING , 120'X100'X40'H								
	A-21-23 Total									
	A-21 Total									
A-22	CONCRETE									
A-22-13	CONCRETE									
A-22-13-1	CONCRETE	WATER TREATMENT BUILDING , 120'X100'X40'H								
	A-22-13 Total									
A-22-15	EMBEDMENT									
A-22-15-1	EMBEDMENT	WATER TREATMENT BUILDING , 120'X100'X40'H								
	A-22-15 Total									
A-22-17	FORMWORK									
A-22-17-1	FORMWORK	WATER TREATMENT BUILDING , 120'X100'X40'H								
	A-22-17 Total									
A-22-25	REINFORCING									
A-22-25-1	REINFORCING	WATER TREATMENT BUILDING , 120'X100'X40'H								
	A-22-25 Total									
	A-22 Total									
A-24	ARCHITECTURAL									
A-24-35	PRE-ENGINEERED BUILDING									
A-24-35-1	PRE-ENGINEERED BUILDING	WATER TREATMENT BUILDING 120'X100'X 40' HIGH, INCLUDES STEEL, SIDING, ROOFING, H&V, LIGHTING								
	A-24-35 Total									
	A-24 Total									
A-31	MECHANICAL EQUIPMENT									
A-31-93	WATER TREATMENT SYSTEM									

TRADE SECRET DATA ENDS]

ESTIMATE NO. : 30919A
 PROJECT NO. : 12715 001
 ISSUE DATE : 10/29/2010
 PREP/REV : RCK / MNO
 APPROVED : BJD

OTTER TAIL
 BIG STONE STATION
 WATER TREATMENT SYSTEM
 CONCEPTUAL COST ESTIMATE

[TRADE SECRET DATA BEGINS]

PRICE LEVEL: 2010 LOCATION: Sioux Falls, SD

WAGE RATE: PRODUCTIVITY FACTOR:

CODE OF ACCOUNT	DESCRIPTION A	DESCRIPTION B	QTY	UM	EQUIPMENT COST	MATERIAL COST	MAN-HOURS	CREW WAGE RATE	LABOR COST	TOTAL COST
A-31-93-1	WATER TREATMENT SYSTEM	INCLUDING: COAGULANT DOSING SYSTEM BACKWASHABLE STRAINERS ULTRA FILTRATION SYSTEM BACKWASH PUMPS FILTERED STORAGE TANK (5000 GAL) SODIUM BISULFATE DOSING SYSTEM ANTISCALANT DOSING SYSTEM CARTRIDGE FILTERS CAUSTIC DOSING SYSTEM FIRST PASS RO BODSTER PUMPS								
	A-31-93 Total									
	A-31 Total									
A-34	HVAC									
A-34-53	UNIT HEATER									
A-34-53-1	STEAM UNIT HEATER - WALL MOUNT, 150,000 BTU EA	WATER TREATMENT BUILDING, INCLUDES 2 UNIT HEATERS AND 400 FT PIPING ALLOWANCE								
	A-34-53 Total									
	A-34 Total									
A-41	ELECTRICAL EQUIPMENT									
A-41-37	LIGHTING ACCESSORY (FIXTURE)									
A-41-37-1	LIGHTING ACCESSORY (FIXTURE)	BUILDING SERVICES, H&V AND LIGHTING, WATER TREATMENT BUILDING								
	A-41-37 Total									
	A-41 Total									
	A Total									
B	MECHANICAL - BALANCE OF PLANT									
B-35	PIPING									
B-35-13										
B-35-13-1	LARGE BORE	8" HDPE SDR11, INCLUDES FITTINGS, UNDERGROUND, CLS EFFLUENT TO WATER TREATMENT BUILDING; MAKE UP WATER								

TRADE SECRET DATA ENDS]

ESTIMATE NO: 9A
 PROJECT NO: 15.001
 ISSUE DATE: 10/29/2010
 PREP/REV: RCK / MNO
 APPROVED: BJD

[TRADE SECRET DATA BEGINS]

OTTER TREATMENT
 BIG STONE STATION
 WATER TREATMENT SYSTEM
 CONCEPTUAL COST ESTIMATE

PRICE LEVEL: 2010 LOCATION: Sioux Falls, SD

WAGE RATE: PRODUCTIVITY FACTOR:

CODE OF ACCOUNT	DESCRIPTION A	DESCRIPTION B	QTY	UM	EQUIPMENT COST	MATERIAL COST	MAN-HOURS	CREW WAGE RATE	LABOR COST	TOTAL COST
B-35-13-2	LARGE BORE	6" HDPE SDR11, INCLUDES FITTINGS, UNDERGROUND, WATER TREATMENT BUILDING RO REJECT TO RECYCLE MU TANK; MAKEUP WATER								
B-35-13-3	LARGE BORE	6" HDPE SDR11, INCLUDES FITTINGS, UNDERGROUND, WATER TREATMENT BUILDING RO REJECT TO SLUDGE POND; MAKEUP WATER								
B-35-13-4	LARGE BORE	PIPE SUPPORTS FOR RO PERMEATE, INSIDE WATER TREATMENT BUILDING AND TURBINE BUILDING; MAKEUP WATER								
B-35-13-5	LARGE BORE	STEAM HEADER TO WATER TREATMENT BLDG 3" SCH 40 ON RACK								
B-35-13-6	LARGE BORE	SUPPORTS - STEAM HEADER TO WATER TREATMENT BLDG 3" SCH 40 ON RACK								
B-35-13-7	LARGE BORE	3" CS GATE CLASS 150								
B-35-13-8	LARGE BORE	3" CS CONTROL VALVE- PNEUMATIC								
B-35-13-9	LARGE BORE PIPE SUPPORTS									
	B-35-13 Total									
B-35-15										
B-35-15-1	SMALL BORE	1" BRONZE BALL								
B-35-15-2	SMALL BORE	2" BRONZE BALL								
B-35-15-3	SMALL BORE	SMALL BORE VALVES, CS WELDED								
B-35-15-4	SMALL BORE	2" GA CS, SCH 40, INCLUDES FITTINGS, U/G, DOMESTIC WATER								
B-35-15-5	SMALL BORE	INSTRUMENT TUBING								
B-35-15-6	SMALL BORE PIPE SUPPORTS									
	B-35-15 Total									
	B-35 Total									
B-41	ELECTRICAL EQUIPMENT									
B-41-33	HEAT TRACING									
B-41-33-1	HEAT TRACING	HEAT TRACING CABLE								

TRADE SECRET DATA ENDS]

ESTIMATE NO. : 30919A
 PROJECT NO. : 12715 001
 ISSUE DATE : 10/29/2010
 PREP/REV : RCK / MNO
 APPROVED : BJD

[TRADE SECRET DATA BEGINS

OTTER TAIL
 BIG STONE STATION
 - WATER TREATMENT SYSTEM
 CONCEPTUAL COST ESTIMATE

PRICE LEVEL: 2010 LOCATION: Sioux Falls, SD

WAGE RATE: PRODUCTIVITY FACTOR:

CODE OF ACCOUNT	DESCRIPTION A	DESCRIPTION B	QTY	UM	EQUIPMENT COST	MATERIAL COST	MAN-HOURS	CREW WAGE RATE	LABOR COST	TOTAL COST
B-41-33-2	HEAT TRACING	POWER CONNECTOR AND OTHER ACCESSORIES INCLUDING THERMOSTATS FOR HEAT TRACING (BY ZONES)								
	B-41-33 Total									
	B-41 Total									
	B Total									
C	ELECTRICAL - AUXILIARY POWER AND BALANCE OF PLANT ELECTRICAL WORK									
C-41	ELECTRICAL EQUIPMENT									
C-41-17	COMMUNICATION SYSTEM									
C-41-17-1	COMMUNICATION SYSTEM	PA / PAGE PARTY EXTENSION SYSTEM, WATER TREATMENT BUILDING								
C-41-17-2	COMMUNICATION SYSTEM	DATA COM EXTENSION SYSTEM - WATER TREATMENT BUILDING								
C-41-17-3	COMMUNICATION SYSTEM	TELEPHONE EXTENSION SYSTEM - WATER TREATMENT BUILDING								
	C-41-17 Total									
C-41-31	GROUNDING									
C-41-31-1	GROUNDING	GROUNDING; INCLUDING GND ROD, BARE WIRE & TERMINATION / CAD WELD - FOR THE ENTIRE PROJECT AREA INCLUDING AMMONIA TANK FARM								
	C-41-31 Total									
C-41-35	LIGHTNING PROTECTION									
C-41-35-1	LIGHTNING PROTECTION	#500 KCMIL								
C-41-35-2	LIGHTNING PROTECTION	#4/0 BARE COPPER								
C-41-35-3	LIGHTNING PROTECTION	CAD WELD & WIRE TERMINATION								
	C-41-35 Total									
C-41-45	MOTOR CONTROL CENTER (MCC)									
C-41-45-1	MOTOR CONTROL CENTER (MCC)	MCC-400A, 480V, 3 PHASE; AUXILIARY POWER MODIFICATIONS								
	C-41-45 Total									
C-41-47	PANEL: CONTROL, DISTRIBUTION, & RELAY									
C-41-47-1	PANEL: CONTROL, DISTRIBUTION, & RELAY	PROTECTIVE RELAY PANELS & MISC HDWR (ALLOWANCE)								
	C-41-47 Total									

ESTIMATE NO. : 9A
 PROJECT NO. : 15.001
 ISSUE DATE : 10/29/2010
 PREP/REV : RCK/MNO
 APPROVED : BJD

[TRADE SECRET DATA BEGINS

OTTERVILLE
 BIG STONE STATION
 WATER TREATMENT SYSTEM
 CONCEPTUAL COST ESTIMATE

PRICE LEVEL: 2010 LOCATION: Sioux Falls, SD

WAGE RATE: PRODUCTIVITY FACTOR:

CODE OF ACCOUNT	DESCRIPTION A	DESCRIPTION B	QTY	UM	EQUIPMENT COST	MATERIAL COST	MAN-HOURS	CREW WAGE RATE	LABOR COST	TOTAL COST
C-41-51	POWER TRANSFORMER									
C-41-51-1	POWER TRANSFORMER	LIGHTING TRANSFORMERS 45KVA, 480V, 3 PHASE, LOW VOLTAGE XFMR; AUXILIARY POWER MODIFICATIONS								
	C-41-51 Total									
	C-41 Total									
C-42	RACEWAY, CABLE TRAY, & CONDUIT									
C-42-13	CABLE TRAY									
C-42-13-1	CABLE TRAY	CABLE TRAY, 24" WATER TREATMENT BUILDING								
	C-42-13 Total									
C-42-15	CONDUITS									
C-42-15-1	CONDUITS	MISC SIZES (3/4" to 3") ENTIRE PROJECT AREA INCLUDING AMMONIA TANK FARM								
	C-42-15 Total									
C-42-17	CONDUIT BOX									
C-42-17-1	CONDUIT BOX	MISC. JUNCTION BOXES & PULL BOXES; ENTIRE PROJECT AREA INCLUDING AMMONIA TANK FARM								
	C-42-17 Total									
	C-42 Total									
C-43	CABLE									
C-43-13	CONTROL & INSTRUMENT CABLE									
C-43-13-1	CONTROL & INSTRUMENT CABLE	2/C #14;								
C-43-13-3	CONTROL & INSTRUMENT CABLE	5/C, #14;								
C-43-13-3	CONTROL & INSTRUMENT CABLE	1PR #16 TW SHLD; 300 V								
C-43-13-4	CONTROL & INSTRUMENT CABLE	2 PR, #16 TW SHLD;								
C-43-13-5	CONTROL & INSTRUMENT CABLE	FIBER OPTIC CABLE, 24 STRAND;								
C-43-13-6	CONTROL & INSTRUMENT CABLE	CAT 5E								
C-43-13-7	CONTROL & INSTRUMENT CABLE	INSTRUMENTATION CABLE TERMINATIONS								
	C-43-13 Total									
C-43-17	LOW VOLTAGE POWER CABLE & TERMINATIONS									
C-43-17-1	LOW VOLTAGE POWER CABLE	3/C, #4/0, 600 V								
C-43-17-2	LOW VOLTAGE POWER CABLE	3/C, #1/0, 600 V								
C-43-17-3	LOW VOLTAGE POWER CABLE	3/C, #6 600 V								
C-43-17-4	LOW VOLTAGE POWER CABLE	3/C, #10, 600 V								

ESTIMATE NO. : 30919A
 PROJECT NO. : 12715 001
 ISSUE DATE : 10/29/2010
 PREP/REV : RCK / MNO
 APPROVED : BJD

(TRADE SECRET DATA BEGINS

OTTER TAIL
 BIG STONE STATION
 WATER TREATMENT SYSTEM
 CONCEPTUAL COST ESTIMATE

PRICE LEVEL: 2010 LOCATION: Sioux Falls, SD

WAGE RATE:

PRODUCTIVITY FACTOR:

CODE OF ACCOUNT	DESCRIPTION A	DESCRIPTION B	QTY	UM	EQUIPMENT COST	MATERIAL COST	MAN-HOURS	CREW WAGE RATE	LABOR COST	TOTAL COST
C-43-17-5	LOW VOLTAGE POWER CABLE TERMINATIONS	600V POWER & CONTROL CABLE TERMINATIONS								
	C-43-17 Total									
	C-43 Total									
C-44	CONTROL & INSTRUMENTATION									
C-44-13	CONTROL SYSTEM									
C-44-13-1	CONTROL SYSTEM	PLC SYSTEM INCLUDED WITH WTARE TREATMENT EQUIPMENT								
C-44-13-2	VENDOR TECHNICAL ADVISORY SERVICE	NOT REQUIRED FOR PLC								
	C-44-13 Total									
C-44-21	INSTRUMENT									
C-44-21-1	INSTRUMENT	LOCALLY MOUNTED INSTRUMENTS								
	C-44-21 Total									
	C-44 Total									
	C Total									
D	NON POWER PRODUCING ASSETS									
D-81	NON POWER PRODUCING ASSETS									
D-81-13	CONSTRUCTION EQUIPMENT									
D-81-13-1	CONSTRUCTION EQUIPMENT	HEAVY CRANE RENTAL NOT INCLUDED IN THE WAGE RATES. INCLUDES OPREATOR AND OILER								
D-81-13-2	CONSTRUCTION EQUIPMENT	FREIGHT FOR HEAVY CRANE								
D-81-13-3	CONSTRUCTION EQUIPMENT	BUILD AND TEAR DOWN								
	D-81-13 Total									
	D-81 Total									
	D Total									
90	SUBTOTAL DIRECT & CONSTRUCTION INDIRECT COST									
91	OTHER DIRECT & CONSTRUCTION INDIRECT COST									
91-1	SCAFFOLDING - % of ACCT NO. 90									
91-2A	COST DUE TO OVERTIME WORKING 5-9 HOUR DAYS	95% OF BASE MANHOURS								
91-21A	COST DUE TO OVERTIME INEFFICIENCY - SPECIFY % INEFFICIENCY	95% OF BASE MANHOURS								
91-22A	COST DUE TO OVERTIME PAY @1.5 TIMES OVERTIME PAY RATE - SPECIFY % ADDITIONAL HOURS PAID ON ACTUAL HOURS WORKED									
91-23A	COST DUE TO OVERTIME - ADDITIONAL PER DIEM									

ESTIMATE N° 19A
 PROJECT NO. /15 001
 ISSUE DATE 10/29/2010
 PREP/REV RCK / MNO
 APPROVED BJD

[TRADE SECRET DATA BEGINS

OTTER LAKE
 BIG STONE STATION
 WATER TREATMENT SYSTEM
 CONCEPTUAL COST ESTIMATE

PRICE LEVEL: 2010 LOCATION: Sioux Falls, SD

WAGE RATE: PRODUCTIVITY FACTOR:

CODE OF ACCOUNT	DESCRIPTION A	DESCRIPTION B	QTY	UM	EQUIPMENT COST	MATERIAL COST	MAN-HOURS	CREW WAGE RATE	LABOR COST	TOTAL COST
91-3	PER DIEM									
91-4	CONSUMABLES - % of ACCT NO. 90									
91-5	FREIGHT ON MATERIAL - % of ACCT NO. 90									
91-6	FREIGHT ON EQUIPMENT - % of ACCT NO. 90									
91-7	SALES TAX - % of ACCT NO. 90	4% SALES TAX ON EQUIPMENT, MATERIAL AND LABOR, PLUS 2% EXCISE TAX ON CONTRACTOR'S GROSS RECEIPTS								
91-9	CONTRACTOR'S GENERAL AND ADMINISTRATION EXPENSE - % of ACCT NO. 90									
91-10	CONTRACTOR'S PROFIT - % of ACCT NO. 90									
<hr/>										
	91 - SUBTOTAL									
<hr/>										
92	TOTAL DIRECT & CONSTRUCTION INDIRECT COST									
93	INDIRECT COST									
93-1	ENGINEERING, PROCUREMENT, & PROJECT SERVICES - % of ACCT NO. 92									
93-2	CONSTRUCTION MANAGEMENT SUPPORT - % of ACCT NO. 92									
93-3	S-U / COMMISSIONING - % of ACCT NO. 92									
93-3	START-UP SPARE PARTS									
93-4	EXCESS LIABILITY INSURANCE	AT 1% OF TOTAL DIRECT COST								
93-4	SALES TAX ON INDIRECTS	APPLIED SALES TAX ONLY. ASSUMED EXCISE TAX IS NOT APPLICABLE ON INDIRECTS								
93-5	OWNERS COST - NOT INCLUDED									
93-6	EPC FEE - NOT INCLUDED									
<hr/>										
	93 - TOTAL INDIRECT COSTS									
<hr/>										
94	TOTAL CONTINGENCY									
94-1	CONTINGENCY ON EQUIPMENT									
94-2	CONTINGENCY ON MATERIAL									
94-3	CONTINGENCY ON LABOR									

ESTIMATE NO. : 30919A
 PROJECT NO. : 12715.001
 ISSUE DATE : 10/29/2010
 PREP/REV : RCK / MNO
 APPROVED : BJD

[TRADE SECRET DATA BEGINS

OTTER TAIL
 BIG STONE STATION
 WATER TREATMENT SYSTEM
 CONCEPTUAL COST ESTIMATE

PRICE LEVEL: 2010 LOCATION: Sioux Falls, SD

WAGE RATE: PRODUCTIVITY FACTOR:

CODE OF ACCOUNT	DESCRIPTION A	DESCRIPTION B	QTY	UM	EQUIPMENT COST	MATERIAL COST	MAN-HOURS	CREW WAGE RATE	LABOR COST	TOTAL COST
94-4	CONTINGENCY ON INDIRECT									
95	TOTAL ESCALATION									
95-1	ESCALATION ON EQUIPMENT									
95-2	ESCALATION ON MATERIAL									
95-3	ESCALATION ON LABOR									
95-4	ESCALATION ON INDIRECT									
96	TOTAL CONSTRUCTION COST									
97	INTEREST DURING CONSTRUCTION	BY OTP								
98	TOTAL PROJECT COST									13,086,900

TRADE SECRET DATA ENDS]