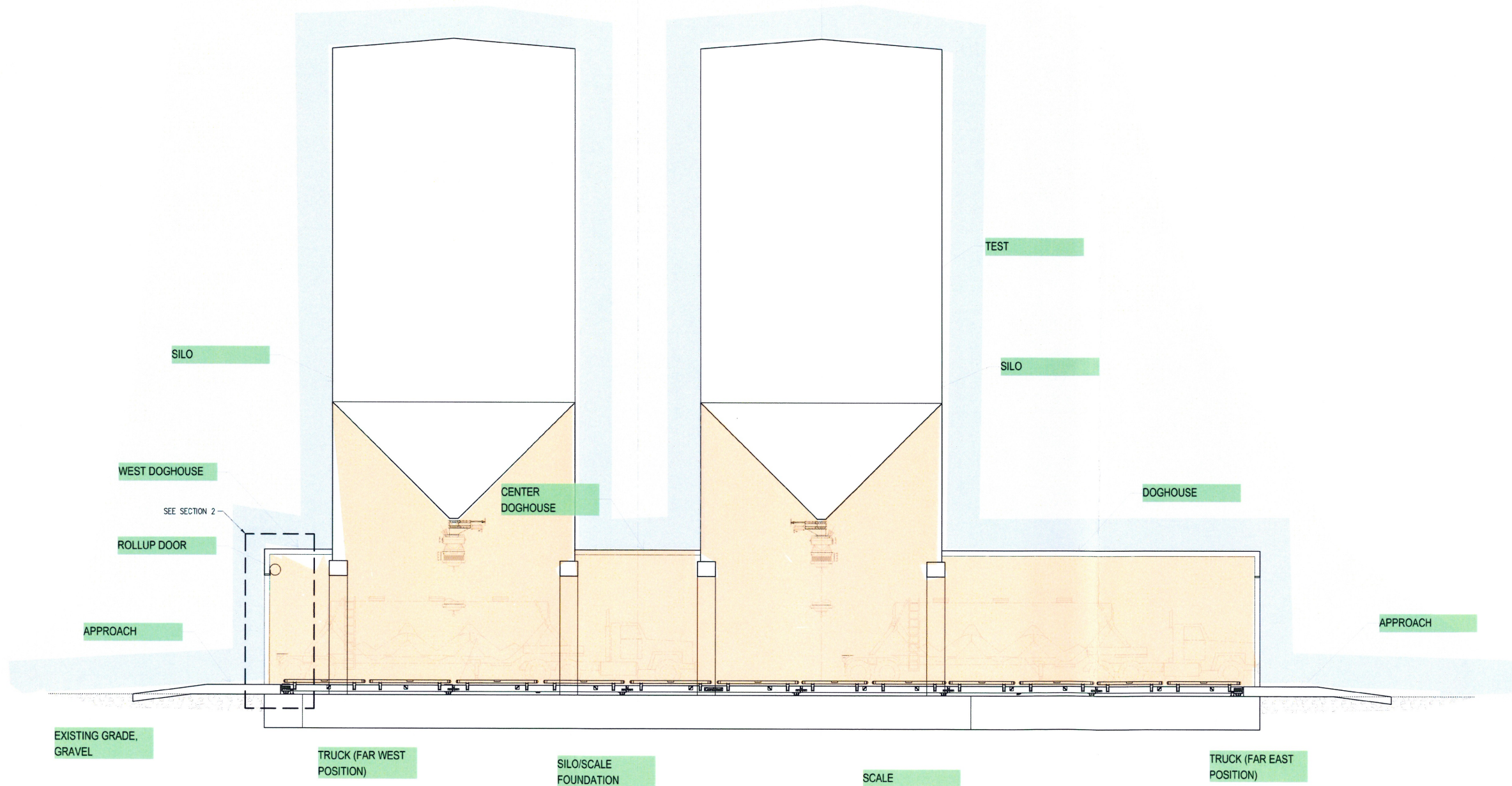


2 SECTION  
NTS



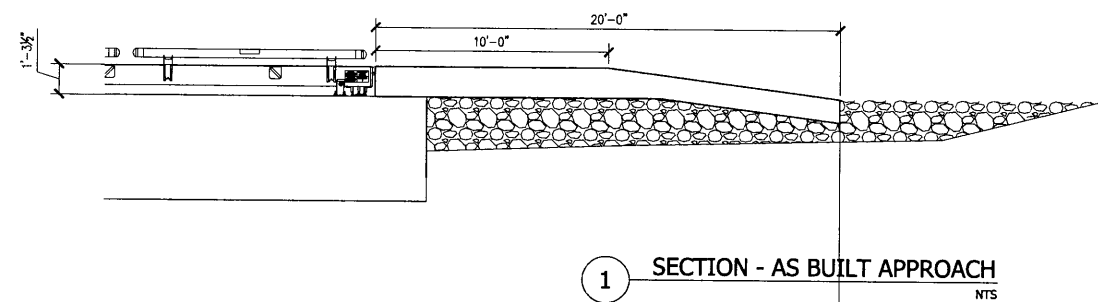
1 VIEW TITLE  
Scale: 1:1

<b>TOTAL WT:</b> ***DO NOT SCALE*** DRAWING IN INCHES ANGULAR DEVIATION	<b>PARENT:</b> TOLERANCES UNLESS OTHERWISE NOTED ANGULAR DEVIATION X = ±1.0° / X X = ±0.5°	THE INFORMATION ON THIS DOCUMENT IS CONFIDENTIAL PROPERTY OF TANK CONNECTION AND/OR ITS AFFILIATES. ANY OTHER USE, RETENTION, DISSEMINATION, FORWARDING, PRINTING OR COPYING OF THIS DOCUMENT TO UNAUTHORIZED PARTIES IS STRICTLY PROHIBITED, WITHOUT THE EXPRESSED WRITTEN CONSENT OF TANK CONNECTION.	<b>TANK CONNECTION</b> AFFILIATE GROUP 2000 W. 10TH ST. SUITE 100 MIDLAND, TX 79701 TEL: 409.433.5010 FAX: 409.433.3999
<b>3RD ANGLE PROJECTION</b>	PERMISSIBLE DEVIATION NOMINAL LENGTH IN INCHES: 0 - 4" 4" - 48" 48" - 130" 130" - 240" 240" + LINEAR TOLERANCE: 1/32" 1/16" 5/32" 1/8" 3/16"		
	HOLE TO HOLE TOLERANCE: 1/32" 1/32" 1/32" 1/16" 1/16"		

REV	FOR REVIEW	REVISION DESCRIPTION	DATE	DR	RB	BB
0			1/22/13			

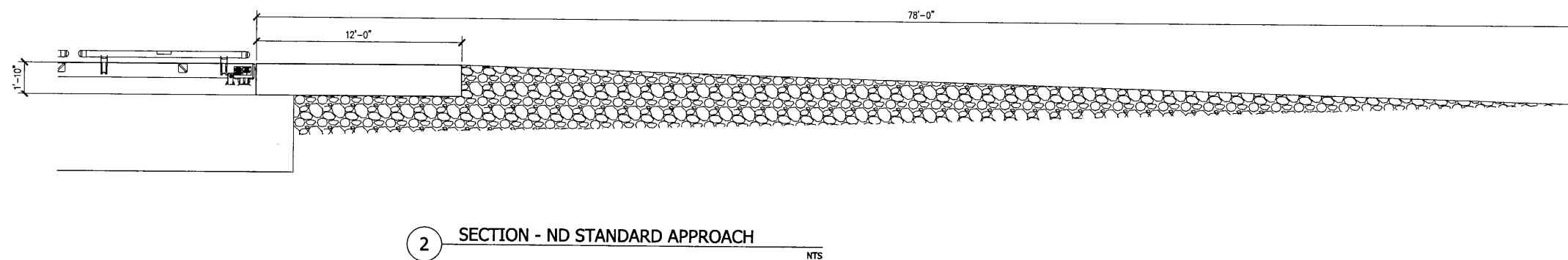
<b>CUSTOMER NAME:</b>	FAIRMOUNT MINERALS
<b>PROJECT NAME:</b>	BLAISDELL SAND SYSTEM
<b>PROJECT LOCATION:</b>	BLAISDELL, ND

<b>FOR CONSTRUCTION</b>			
SCALE SKETCH	<b>PROJ #</b>	<b>JOB #</b>	<b>NA</b>
	02753		
DWG SIZE: D	<b>DWG #</b>	SK1	



NOTE:  
 1. ND STANDARD AT 1/3" : 12" APPROACH SLOPE IS AN APPROACH 58' LONGER THAN THE AS BUILT, OR 116' LONGER FOR THE OVERALL SYSTEM FOOTPRINT.

58'-0"



TOTAL WT:		PARENT:		TOLERANCES UNLESS OTHERWISE NOTED		THE INFORMATION ON THIS DOCUMENT IS CONFIDENTIAL PROPERTY OF TANK CONNECTION. MANUFACTURER AND/OR ITS AFFILIATES, ANY OTHER USE, REPRODUCTION, DISSEMINATION, FORWARDING, PRINTING OR COPYING OF THIS DOCUMENT TO UNAUTHORIZED PARTIES IS STRICTLY PROHIBITED. WITHOUT THE EXPRESSED WRITTEN CONSENT OF TANK CONNECTION.	
"DO NOT SCALE" DRAWING IN INCHES ANSI/ASME Y14.1 STANDARDS		ANGULAR DEVIATION X = ±1.0° / X, X = ±0.5°		PERMISSIBLE DEVIATION NOMINAL LENGTH IN INCHES 0 - 4" 1/4" - 48" 48" - 130" 130" - 240" 240" +		 <small>APPLY TO ALL TANK CONNECTION PRODUCTS          2424 100TH AVE SE • PLYMOUTH, MINN. 55425          612.433.5015 • FAX 612.433.2999</small>	
3RD ANGLE PROJECTION		LINEAR TOLERANCE:		1/32"	1/16"	5/32"	1/8"
		HOLE TO HOLE TOLERANCE:		1/32"	1/32"	1/32"	1/16"



REV	DESCRIPTION	DATE	DR	BB
0	FOR REVIEW	12/21/13	RS	BB

CUSTOMER NAME:	FAIRMOUNT MINERALS
PROJECT NAME:	BLAISDELL SAND SYSTEM
PROJECT LOCATION:	BLAISDELL, ND

FOR CONSTRUCTION			
APPROACH SKETCH	PROJ #	02753	JOB #
	DWG #	SK2	NA