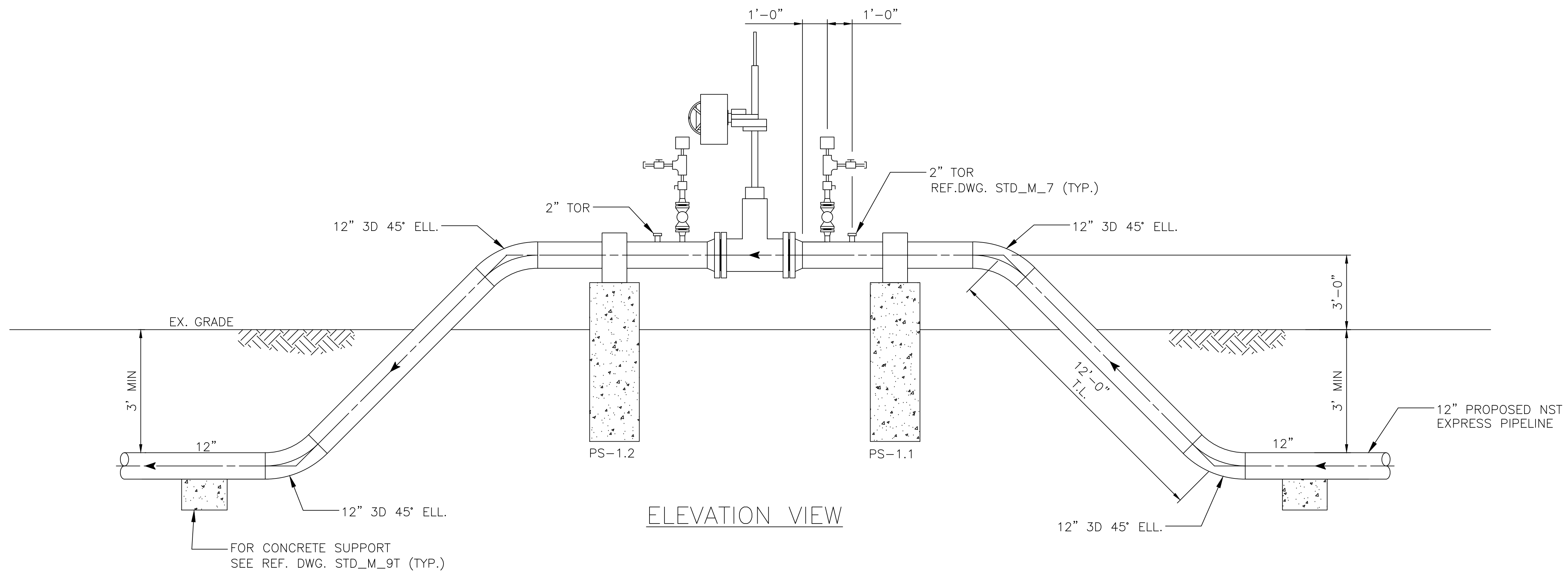
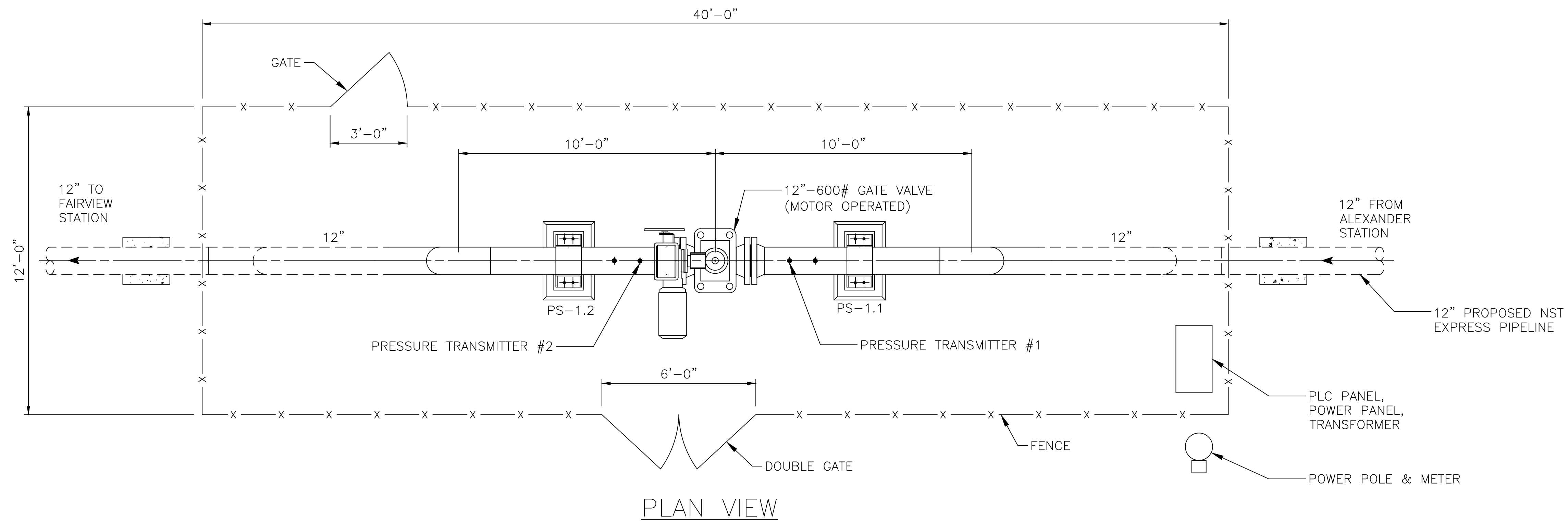


TYPICAL AUTOMATED VALVE SITE



4				
3				
2				
1				
0				

NO	LOC	DESCRIPTION OF REVISION	BY DATE	APPR DATE
WORK ORDER NO.				

NST EXPRESS PIPELINE

TYPICAL VALVE STATION
PLAN AND PROFILE

DRAWN:	KBI	SCALE:	3/8"=1'	DATE:	4/27/15	REV	
APPROVED:	CHECKED:	NO. VALVE STATION				A	

B			
A	INITIAL RELEASE	KBI	XXX
		05/08/15	XX/XX/15

NST EXPRESS
NST EXPRESS, LLC

ENEngineering
28100 TORCH PARKWAY
WARRENVILLE, IL 60555
TEL (630) 353-4000
FAX (630) 353-7777
WWW.ENENGINEERING.COM

ISO PAGE
PAGE