

Exam Date:08/20/2018

Kirkeide's Northland Seedbean Co. Inc.

Page: 1

Examiner: 2

4520 12th Street NE

Fessenden , ND

County:

Phone: 701-547-3466

CCC Number:

Location/Container Numbers/Comments	Section	Capacity
PART A - ADDITIONAL SPACE TO BE INCLUDED UNDER LICENSE		
H- 6	H	3,129
H- 7	H	2,728
H- 8	H	3,129
H- 9	H	1,934
H-10	H	1,934
H-11	H	1,934
H-12	H	2,684
H-13	H	1,325
H-14	H	1,325
S- 1	S	9,959
S- 2	S	9,539
W- 9	W	3,933
W-10	W	3,433
W-11	W	3,433
B-15	B	72,039
B-16	B	72,514
B-17	B	72,514
W-12	W	3,433
		Total: 270,919

PART B - SPACE TO BE DELETED UNDER LICENSE

S- 3	S	3,964
W-23	W	3,933
B-22	B	72,514
B-21	B	72,514
		Total: 152,925

PART C - ALL SPACE TO BE INCLUDED UNDER LICENSE

B	688,000
E	9,000
H	36,000
S	20,000
W	270,000
Total: 1,023,000	

PART D - TOTAL CAPACITY BY FUNCTIONAL UNIT

Fessenden	895	B E H S W	1,023,000
			Total: 1,023,000

Exam Date:08/20/2018

Kirkeide's Northland Seedbean Co. Inc.
4520 12th Street NE
Fessenden, ND
County:

Page: 1

Examiner: 2

Status	Section	Bin Number	Bin Type	Base Point	Diameter or Bu/Ft (Irreg.)	Length	Width	Side wall	Add for Hopper	Ded. for Obst.	Effective Depth	Add for Peak	Depth for Capac.	Bushels per Foot	Base Pack%	Bushel Capacity with Pack
--------	---------	------------	----------	------------	-------------------------------	--------	-------	--------------	----------------------	----------------------	--------------------	--------------------	------------------------	------------------------	---------------	------------------------------

Facility: Fessenden

Section: B

	B	B- 1	Peaked	top of sidewall	33.000	0.000	0.000	20.80	0.00	0.00	20.800	2.000	22.8	687.5	9.50	17,164
	B	B- 2	Peaked	top of sidewall	33.000	0.000	0.000	20.80	0.00	0.00	20.800	2.000	22.8	687.5	9.50	17,164
	B	B- 3	Peaked	top of sidewall	33.000	0.000	0.000	20.80	0.00	0.00	20.800	2.000	22.8	687.5	9.50	17,164
	B	B- 4	Peaked	top of sidewall	33.000	0.000	0.000	20.80	0.00	0.00	20.800	2.000	22.8	687.5	9.50	17,164
	B	B- 5	Peaked	top of sidewall	33.000	0.000	0.000	20.80	0.00	0.00	20.800	2.000	22.8	687.5	9.50	17,164
	B	B- 6	Peaked	top of sidewall	33.000	0.000	0.000	20.80	0.00	0.00	20.800	2.000	22.8	687.5	9.50	17,164
	B	B- 7	Peaked	top of sidewall	33.000	0.000	0.000	20.80	0.00	0.00	20.800	2.000	22.8	687.5	9.50	17,164
	B	B- 8	Peaked	top of sidewall	41.900	0.000	0.000	24.70	0.00	0.00	24.700	2.500	27.2	1108.4	10.0	33,163
	B	B- 9	Peaked	top of sidewall	41.900	0.000	0.000	24.70	0.00	0.00	24.700	2.500	27.2	1108.4	10.0	33,163
	B	B-10	Peaked	top of sidewall	41.900	0.000	0.000	24.70	0.00	0.00	24.700	2.500	27.2	1108.4	10.0	33,163
	B	B-11	Peaked	top of sidewall	41.900	0.000	0.000	24.70	0.00	0.00	24.700	2.500	27.2	1108.4	10.0	33,163
Added	B	B-15	Peaked	top of sidewall	47.800	0.000	0.000	42.50	0.00	0.00	42.500	2.900	45.4	1442.5	10.0	72,039
Added	B	B-16	Peaked	top of sidewall	47.800	0.000	0.000	42.80	0.00	0.00	42.800	2.900	45.7	1442.5	10.0	72,514
Added	B	B-17	Peaked	top of sidewall	47.800	0.000	0.000	42.80	0.00	0.00	42.800	2.900	45.7	1442.5	10.0	72,514
	B	B-18	Peaked	top of sidewall	47.800	0.000	0.000	42.80	0.00	0.00	42.800	2.900	45.7	1442.5	10.0	72,514
	B	B-19	Peaked	top of sidewall	47.800	0.000	0.000	42.80	0.00	0.00	42.800	2.900	45.7	1442.5	10.0	72,514
	B	B-20	Peaked	top of sidewall	47.800	0.000	0.000	42.80	0.00	0.00	42.800	2.900	45.7	1442.5	10.0	72,514

Bin count: 17

Facility: Fessenden Section: B Total: **687,409**To Even: **688,000**

Exam Date:08/20/2018

Kirkeide's Northland Seedbean Co. Inc.
4520 12th Street NE
Fessenden, ND
County:

Examiner: 2

Status	Section	Bin Number	Bin Type	Base Point	Diameter or Bu/Ft (Irreg).		Side wall	Add for Hopper	Ded. for Obst.	Effective Depth	Add for Peak	Depth for Capac.	Bushels per Foot	Base Pack%	Bushel Capacity with Pack
					Length	Width									

Facility: Fessenden

Section: E

E	001		Flat	bag storage Emrik rail site	0.000	40.00	80.00	3.000	0.00	0.00	3.000	0.000	3.0	2572.3	10.0	8,489
Bin count:		1														
															Facility: Fessenden Section: E Total:	8,489
															To Even:	9,000

Section: H

H	H- 1		Peaked	top of sidewall	16.000	0.000	0.000	15.00	2.50	0.00	17.500	1.000	18.5	161.6	5.80	3,163
H	H- 2		Peaked	top of sidewall	16.000	0.000	0.000	15.00	2.50	0.00	17.500	1.000	18.5	161.6	5.80	3,163
H	H- 3		Peaked	top of sidewall	16.000	0.000	0.000	15.00	2.50	0.00	17.500	1.000	18.5	161.6	5.80	3,163
H	H- 4		Peaked	top of sidewall	16.000	0.000	0.000	15.00	2.50	0.00	17.500	1.000	18.5	161.6	5.80	3,163
H	H- 5		Peaked	top of sidewall	16.000	0.000	0.000	15.00	2.50	0.00	17.500	1.000	18.5	161.6	5.80	3,163
Added	H	H- 6	Peaked	top of sidewall	16.000	0.000	0.000	15.00	2.30	0.00	17.300	1.000	18.3	161.6	5.80	3,129
Added	H	H- 7	Peaked	top of sidewall	15.000	0.000	0.000	15.00	2.30	0.00	17.300	0.900	18.2	142.1	5.50	2,728
Added	H	H- 8	Peaked	top of sidewall	16.000	0.000	0.000	15.00	2.30	0.00	17.300	1.000	18.3	161.6	5.80	3,129
Added	H	H- 9	Peaked	top of sidewall	15.000	0.000	0.000	10.00	2.00	0.00	12.000	0.900	12.9	142.1	5.50	1,934
Added	H	H-10	Peaked	top of sidewall	15.000	0.000	0.000	10.00	2.00	0.00	12.000	0.900	12.9	142.1	5.50	1,934
Added	H	H-11	Peaked	top of sidewall	15.000	0.000	0.000	10.00	2.00	0.00	12.000	0.900	12.9	142.1	5.50	1,934
Added	H	H-12	Peaked	top of sidewall	15.000	0.000	0.000	15.00	2.00	0.00	17.000	0.900	17.9	142.1	5.50	2,684
Added	H	H-13	Peaked	top of sidewall	12.500	0.000	0.000	10.00	2.00	0.00	12.000	0.800	12.8	98.6	5.00	1,325
Added	H	H-14	Peaked	top of sidewall	12.500	0.000	0.000	10.00	2.00	0.00	12.000	0.800	12.8	98.6	5.00	1,325

Exam Date:08/20/2018

Kirkeide's Northland Seedbean Co. Inc.
4520 12th Street NE
Fessenden, ND
County:

Examiner: 2

Status	Section	Bin Number	Bin Type	Base Point	Diameter or Bu/Ft (Irreg).		Side wall	Add for Hopper	Ded. for Obst.	Effective Depth	Add for Peak	Depth for Capac.	Bushels per Foot	Base Pack%	Bushel Capacity with Pack
					Length	Width									
Bin count:		14											Facility: Fessenden Section: H Total:	35,937	
														To Even:	36,000

Section: S

Added	S	S- 1	Peaked	top of sidewall	24.000	0.000	0.000	24.00	0.00	0.00	24.000	1.400	25.4	363.7	7.80	9,959
Added	S	S- 2	Peaked	top of sidewall	27.000	0.000	0.000	17.50	0.00	0.00	17.500	1.600	19.1	460.3	8.50	9,539
Bin count:		2											Facility: Fessenden Section: S Total:	19,498		
														To Even:	20,000	

Section: W

W	W 104	Flat	bag storage	0.000	150.6	58.60	1.000	0.00	0.00	1.000	0.000	1.0	7094.2	10.0	7,803	
W	W 109	Flat	bag storage	0.000	100.0	50.00	2.000	0.00	0.00	2.000	0.000	2.0	4019.3	10.0	8,843	
W	W- 1	Peaked	top of sidewall	16.000	0.000	0.000	25.00	2.30	0.00	27.300	1.000	28.3	161.6	5.80	4,838	
W	W- 2	Peaked	top of sidewall	15.000	0.000	0.000	15.00	2.20	0.00	17.200	0.900	18.1	142.1	5.50	2,713	
W	W- 3	Peaked	top of sidewall	32.500	0.000	0.000	28.00	0.00	0.00	28.000	2.000	30.0	666.9	9.50	21,908	
W	W- 4	Peaked	top of sidewall	15.000	0.000	0.000	18.00	2.20	0.00	20.200	0.900	21.1	142.1	5.50	3,163	
W	W- 5	Peaked	top of sidewall	47.900	0.000	0.000	32.00	0.00	0.00	32.000	2.900	34.9	1448.6	10.0	55,612	
W	W- 6	Peaked	top of sidewall	74.600	0.000	0.000	31.70	0.00	0.00	31.700	5.200	36.9	3513.6	10.0	142,617	
W	W- 7	Peaked	top of sidewall	16.000	0.000	0.000	17.00	2.50	0.00	19.500	1.000	20.5	161.6	5.80	3,505	
W	W- 8	Peaked	top of sidewall	16.000	0.000	0.000	20.00	2.00	0.00	22.000	1.000	23.0	161.6	5.80	3,933	
Added	W	W- 9	Peaked	top of sidewall	16.000	0.000	0.000	20.00	2.00	0.00	22.000	1.000	23.0	161.6	5.80	3,933
Added	W	W-10	Peaked	top of sidewall	15.000	0.000	0.000	20.00	2.00	0.00	22.000	0.900	22.9	142.1	5.50	3,433
Added	W	W-11	Peaked	top of sidewall	15.000	0.000	0.000	20.00	2.00	0.00	22.000	0.900	22.9	142.1	5.50	3,433
Added	W	W-12	Peaked	top of sidewall	15.000	0.000	0.000	20.00	2.00	0.00	22.000	0.900	22.9	142.1	5.50	3,433

NDPSC Bin Capacity Chart

Exam Date:08/20/2018

Kirkeide's Northland Seedbean Co. Inc.
 4520 12th Street NE
 Fessenden , ND
 County:

Examiner: 2

Status	Section	Bin Number	Bin Type	Base Point	Diameter or Bu/Ft (Irreg.)	Length	Width	Side wall	Add for Hopper	Ded. for Obst.	Effective Depth	Add for Peak	Depth for Capac.	Bushels per Foot	Base Pack%	Bushel Capacity with Pack
--------	---------	------------	----------	------------	-------------------------------	--------	-------	--------------	----------------------	----------------------	--------------------	--------------------	------------------------	------------------------	---------------	------------------------------

Bin count: 14

Facility: Fessenden Section: W Total: 269,167

To Even: 270,000

Overall Licensed Bin Capacity for:

Kirkeide's Northland Seedbean Co. Inc.

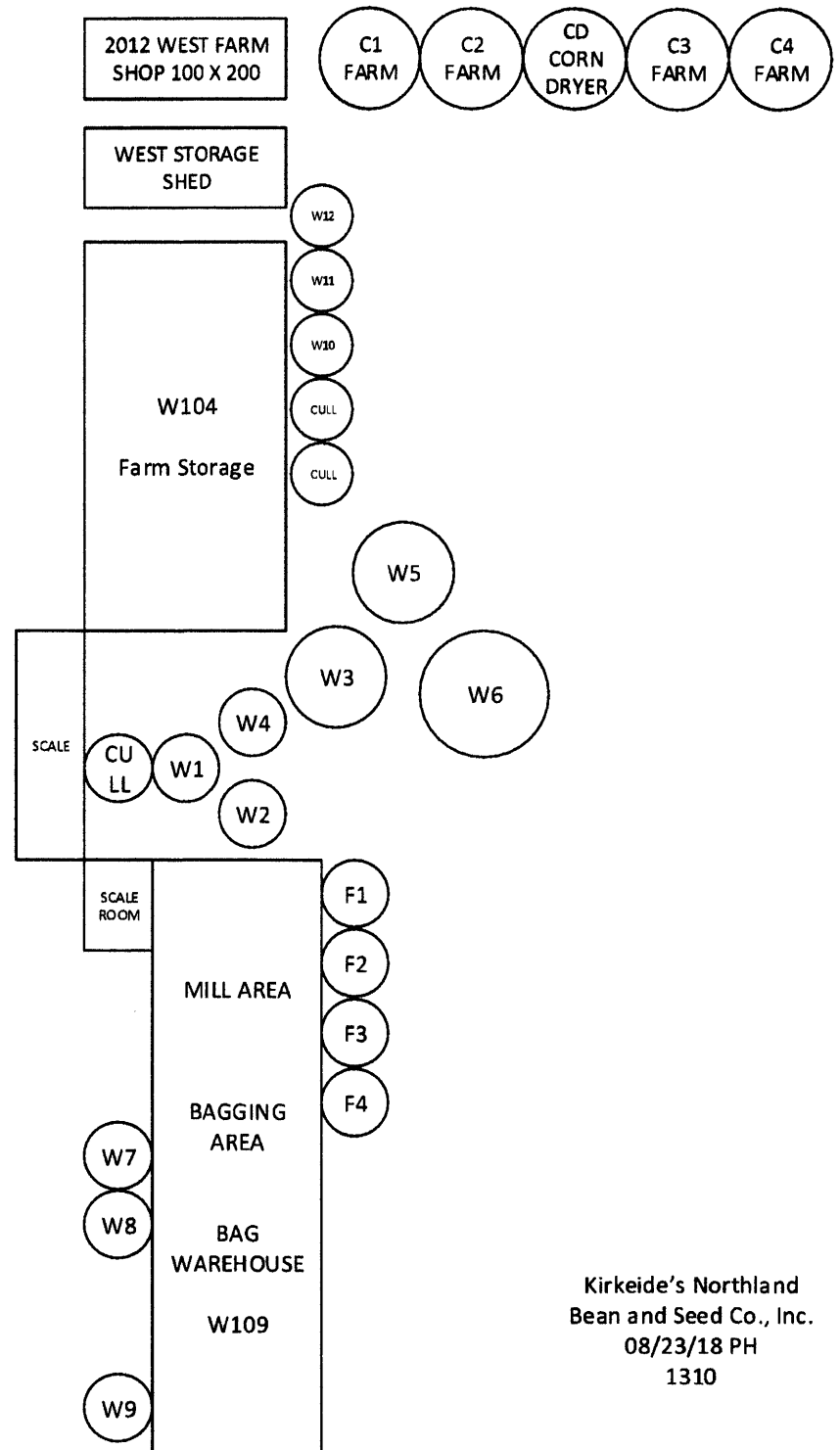
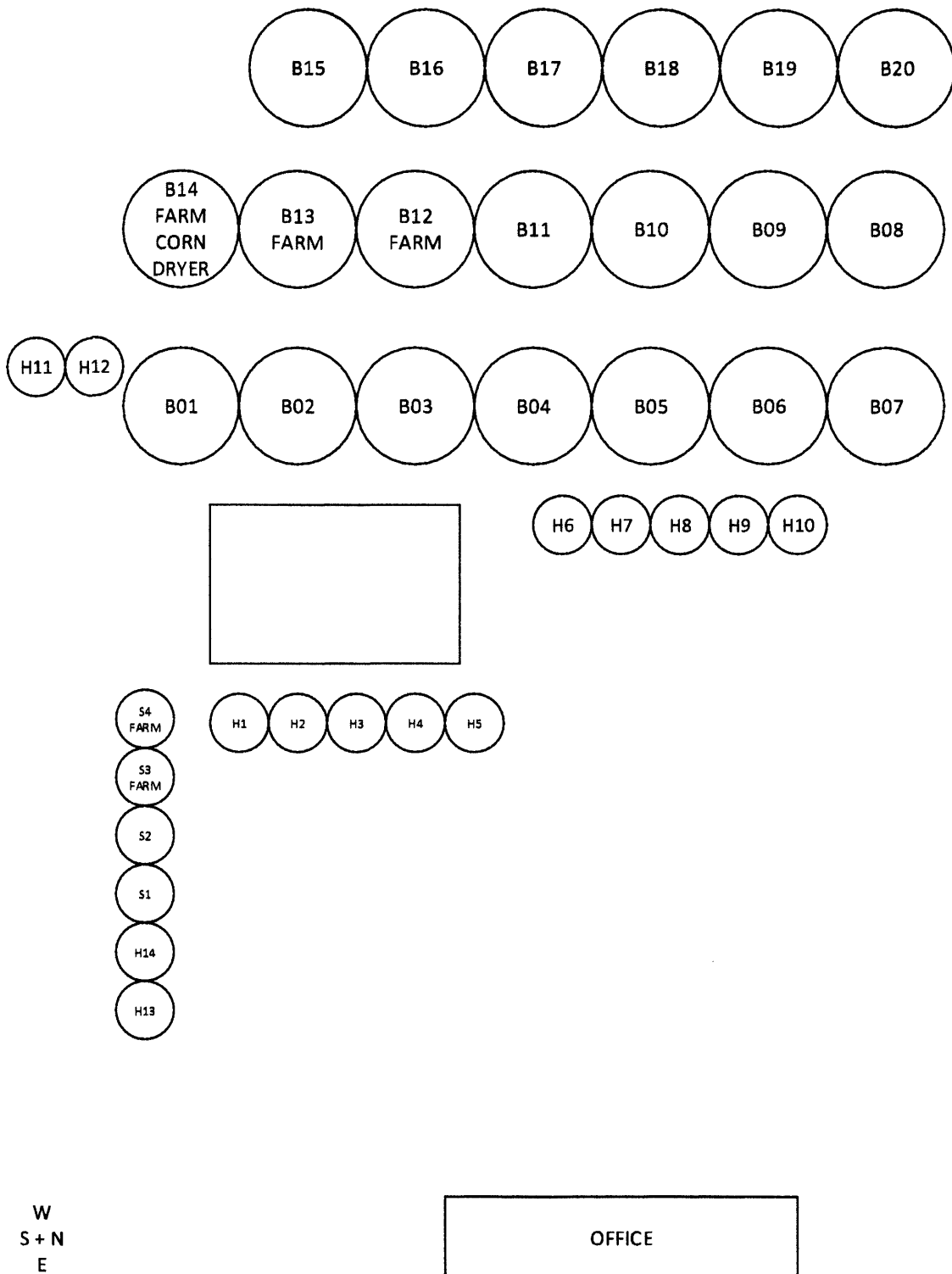
Bin count: 48

Licensed Capacity:
 (includes pack)

1,020,500 Bu.

Licensed Capacity (to even):
 (includes pack and section totals are
 rounded up to next highest 1000)

1,023,000 Bu.



W
S + N
E

Kirkeide's Northland
Bean and Seed Co., Inc.
08/23/18 PH
1310