

Exam Date: 09/27/2018

Tronson Grain Company LLC
115 West 1st Street
Doyon, ND
County:
Phone: 701-398-3512
CCC Number:

Page: 1

Examiner: 2

Location/Container Numbers/Comments	Section	Capacity
PART A - ADDITIONAL SPACE TO BE INCLUDED UNDER LICENSE		
Huge Bunk	Z	1,631,890
		Total: 1,631,890

PART B - SPACE TO BE DELETED UNDER LICENSE		
<NO BINS DELETED>		
		Total: 0

PART C - ALL SPACE TO BE INCLUDED UNDER LICENSE		
	A	394,000
	C	425,000
	D	1,602,000
	G	390,000
	GA	556,000
	GF	106,000
	I	117,000
	Z	1,632,000
		Total: 5,222,000

PART D - TOTAL CAPACITY BY FUNCTIONAL UNIT			
Doyon	210	A C D Z	4,053,000
Garske	130	GA GF	662,000
Tolna	843	G I	507,000
			Total: 5,222,000

temp

+	1.5m @ Doyon
+	35k @ Garske
+	330k @ Tolna
<hr/>	
	7,067,000
	total cap

Exam Date:09/27/2018

Tronson Grain Company LLC
115 West 1st Street
Doyon, ND
County:

Page: 1

Status	Section	Bin Number	Bin Type	Base Point	Diameter or Bu/Ft (Irreg.)	Length	Width	Side wall	Add for Hopper	Ded. for Obst.	Effective Depth	Add for Peak	Depth for Capac.	Bushels per Foot	Base Pack%	Bushel Capacity with Pack
--------	---------	------------	----------	------------	-------------------------------	--------	-------	--------------	----------------------	----------------------	--------------------	--------------------	------------------------	------------------------	---------------	------------------------------

Facility: Doyon

Section: A

A	002	Square	floor over bins		0.000	10.50	3.100	46.00	0.00	0.00	46.000	0.000	46.0	26.2	2.50	1,235
A	003	Square	floor over bins		0.000	10.50	11.60	66.00	0.00	0.00	66.000	0.000	66.0	97.9	6.00	6,849
A	004	Square	floor over bins		0.000	5.500	6.500	46.00	0.00	0.00	46.000	0.000	46.0	28.7	2.50	1,353
A	005	Square	floor over bins		0.000	11.30	5.300	46.00	0.00	0.00	46.000	0.000	46.0	48.1	4.20	2,306
A	006	Square	floor over bins		0.000	11.30	6.000	46.00	0.00	0.00	46.000	0.000	46.0	54.5	4.50	2,620
A	007	Square	floor over bins		0.000	5.400	6.500	46.00	0.00	0.00	46.000	0.000	46.0	28.2	2.50	1,329
A	008 T	Square	floor over bins		0.000	10.50	6.000	46.00	0.00	0.00	46.000	0.000	46.0	50.6	4.50	2,433
A	008 B	Square	46' to bottom		0.000	10.50	11.60	20.00	0.00	0.00	20.000	0.000	20.0	97.9	6.00	2,075
A	009	Square	floor over bins		0.000	10.50	5.300	44.00	0.00	0.00	44.000	0.000	44.0	44.7	3.50	2,036
A	011 T	Square	floor over bins		0.000	6.800	6.500	11.00	0.00	0.00	11.000	0.000	11.0	35.5	3.00	403
A	011 B	Square	11' to bottom		0.000	10.50	6.500	33.00	0.00	0.00	33.000	0.000	33.0	54.9	4.50	1,894
A	012	Square	floor over bins		0.000	10.50	6.400	44.00	0.00	0.00	44.000	0.000	44.0	54.0	4.50	2,483
A	013	Square	floor over bins		0.000	10.50	6.000	44.00	0.00	0.00	44.000	0.000	44.0	50.6	4.50	2,326
A	014 T	Square	floor over bins		0.000	10.50	5.300	46.00	0.00	0.00	46.000	0.000	46.0	44.7	3.50	2,128
A	014 B	Square	46' to bottom		0.000	10.50	11.60	20.00	0.00	0.00	20.000	0.000	20.0	97.9	6.00	2,075
A	015	Square	floor over bins		0.000	5.400	6.400	46.00	0.00	0.00	46.000	0.000	46.0	27.8	2.50	1,311
A	016	Square	floor over bins		0.000	11.30	6.000	46.00	0.00	0.00	46.000	0.000	46.0	54.5	4.50	2,620
A	017 T	Square	floor over bins		0.000	11.30	5.300	46.00	0.00	0.00	46.000	0.000	46.0	48.1	4.20	2,306
A	017 B	Square	46' to bottom		0.000	11.30	11.60	20.00	0.00	0.00	20.000	0.000	20.0	105.4	6.20	2,239
A	018	Square	floor over bins		0.000	5.500	6.400	46.00	0.00	0.00	46.000	0.000	46.0	28.3	2.50	1,335
A	019	Square	floor over bins		0.000	10.50	11.60	66.00	0.00	0.00	66.000	0.000	66.0	97.9	6.00	6,849

NDPSC Bin Capacity Chart

Exam Date:09/27/2018

Tronson Grain Company LLC
115 West 1st Street
Doyon , ND
County:

Examiner: 2

Status	Section	Bin Number	Bin Type	Base Point	Diameter or Bu/Ft (Irreg.)	Length	Width	Side wall	Add for Hopper	Ded. for Obst.	Effective Depth	Add for Peak	Depth for Capac.	Bushels per Foot	Base Pack%	Bushel Capacity with Pack
--------	---------	------------	----------	------------	-------------------------------	--------	-------	--------------	----------------------	----------------------	--------------------	--------------------	------------------------	------------------------	---------------	------------------------------

Facility: Doyon

Section: A

A	020	Square	floor over bins	0.000	5.300	3.100	28.00	0.00	0.00	28.000	0.000	28.0	13.2	2.00		377
A	022 T	Square	floor over bins	0.000	4.900	3.100	28.00	0.00	0.00	28.000	0.000	28.0	12.2	2.00		349
A	022 B	Square	28' to bottom	0.000	10.50	3.100	18.00	0.00	0.00	18.000	0.000	18.0	26.2	2.50		484
A	101	Peaked	top of sidewall 8.3' poured	24.000	0.000	0.000	20.70	2.80	0.00	23.500	1.400	24.9	363.7	7.80		9,762
A	102	Peaked	top of sidewall 8.3' poured	24.000	0.000	0.000	20.70	2.80	0.00	23.500	1.400	24.9	363.7	7.80		9,762
A	105	Peaked	top of sidewall grain hopper	30.000	0.000	0.000	23.70	0.00	0.00	23.700	1.800	25.5	568.2	9.00		15,793
A	106	Peaked	top of sidewall	33.000	0.000	0.000	62.60	0.00	0.00	62.600	2.000	64.6	687.5	9.50		48,632
A	107	Peaked	top of sidewall	38.900	0.000	0.000	62.60	0.00	0.00	62.600	2.300	64.9	955.4	10.0		68,206
A	109	Peaked	top of sidewall	36.000	0.000	0.000	53.50	0.00	0.00	53.500	2.200	55.7	818.2	10.0		50,131
A	110	Peaked	top of sidewall	41.900	0.000	0.000	26.00	0.00	0.00	26.000	2.500	28.5	1108.4	10.0		34,748
A	111	Peaked	top of sidewall	41.900	0.000	0.000	26.00	0.00	0.00	26.000	2.500	28.5	1108.4	10.0		34,748
A	112	Peaked	top of sidewall	41.900	0.000	0.000	26.00	0.00	0.00	26.000	2.500	28.5	1108.4	10.0		34,748
A	113	Peaked	top of sidewall	41.900	0.000	0.000	22.00	0.00	0.00	22.000	2.500	24.5	1108.4	10.0		29,872
A	201	Peaked	top of sidewall	16.000	0.000	0.000	14.60	0.00	0.00	14.600	1.000	15.6	161.6	5.80		2,667
A	202	Peaked	top of sidewall	16.000	0.000	0.000	14.60	0.00	0.00	14.600	1.000	15.6	161.6	5.80		2,667

Bin count: 36

Facility: Doyon Section: A Total: 393,151

To Even: 394,000

Status	Section	Bin Number	Bin Type	Base Point	Diameter or Bu/Ft (Irreg.) Length	Width	Side wall	Add for Hopper	Ded. for Obst.	Effective Depth	Add for Peak	Depth for Capac.	Bushels per Foot	Base Pack%	Bushel Capacity with Pack
--------	---------	------------	----------	------------	---	-------	--------------	----------------------	----------------------	--------------------	--------------------	------------------------	------------------------	---------------	------------------------------

Facility: Doyon

Section: C

C	004	Flat	flat west of office top of	0.000	98.70	54.70	7.350	0.00	0.00	7.350	0.000	7.4	4339.9	10.0	35,327
C	005	Flat	flat south of office top of	0.000	79.30	42.20	7.000	0.00	0.00	7.000	0.000	7.0	2690.1	10.0	20,714
C	006	Peaked	top of sidewall	15.000	0.000	0.000	17.50	2.00	0.00	19.500	0.900	20.4	142.1	5.50	3,058
C	007	Peaked	top of sidewall	15.500	0.000	0.000	15.00	2.00	0.00	17.000	0.900	17.9	151.7	5.50	2,864
C	008	Peaked	top of sidewall	15.500	0.000	0.000	15.00	2.00	0.00	17.000	0.900	17.9	151.7	5.50	2,864
C	101	Flat	top of sidewall	0.000	119.2	24.90	16.00	0.00	0.00	16.000	0.000	16.0	2385.9	10.0	41,991
C	102	Flat	top of sidewall	0.000	119.2	24.90	16.00	0.00	0.00	16.000	0.000	16.0	2385.9	10.0	41,991
C	103	Flat	top of sidewall	0.000	119.2	24.90	16.00	0.00	0.00	16.000	0.000	16.0	2385.9	10.0	41,991
C	104	Flat	top of sidewall	0.000	119.2	24.90	16.00	0.00	0.00	16.000	0.000	16.0	2385.9	10.0	41,991
C	105	Flat	top of sidewall	0.000	119.3	24.90	16.00	0.00	0.00	16.000	0.000	16.0	2387.9	10.0	42,027
C	106	Flat	top of sidewall	0.000	119.3	24.90	16.00	0.00	0.00	16.000	0.000	16.0	2387.9	10.0	42,027
C	107	Flat	top of sidewall	0.000	119.3	24.90	16.00	0.00	0.00	16.000	0.000	16.0	2387.9	10.0	42,027
C	108	Flat	top of sidewall	0.000	119.3	24.90	16.00	0.00	0.00	16.000	0.000	16.0	2387.9	10.0	42,027
C	109	Flat	top of sidewall	0.000	108.6	49.30	4.000	0.00	0.00	4.000	0.000	4.0	4303.8	10.0	18,937
C	110	Peaked	top of sidewall	18.000	0.000	0.000	18.30	2.00	0.00	20.300	1.100	21.4	204.6	6.00	4,641

Bin count: 15

Facility: Doyon Section: C Total: 424,477

To Even: 425,000

Exam Date:09/27/2018

Tronson Grain Company LLC
115 West 1st Street
Doyon , ND
County:

Page: 4

Examiner: 2

Status	Section	Bin Number	Bin Type	Base Point	Diameter or Bu/Ft (Irreg).		Side wall	Add for Hopper	Ded. for Obst.	Effective Depth	Add for Peak	Depth for Capac.	Bushels per Foot	Base Pack%	Bushel Capacity with Pack	
					Length	Width										
<u>Facility: Doyon</u>																
<u>Section: D</u>																
D	001	Irregular	bttm of slab garner bin		255.63	17.83	17.83	17.75	3.00	0.00	20.750	0.000	20.8	255.6	7.00	5,689
D	002	Irregular	bttm of slab		127.33	12.59	12.59	69.20	2.70	0.00	71.900	0.000	71.9	127.3	6.50	9,750
D	003	Irregular	top of slab		127.33	12.59	12.59	69.20	2.70	0.00	71.900	0.000	71.9	127.3	6.50	9,750
D	004	Irregular	bttm of slab screenings bin		31.350	6.245	6.245	77.50	3.50	0.00	81.000	0.000	81.0	31.3	2.50	2,602
D	005	Irregular	top of slab 1/2stice		72.110	9.471	9.471	120.0	0.00	1.50	118.50	0.000	118.5	72.1	5.20	8,989
D	006	Round	bttm of slab - 3' gator floor &		32.000	0.000	0.000	120.0	0.00	4.00	116.00	0.000	116.0	646.5	9.50	82,118
D	007	Round	bttm of slab - 3' gator floor &		32.000	0.000	0.000	120.0	0.00	4.00	116.00	0.000	116.0	646.5	9.50	82,118
D	008	Irregular	bttm of slab full stice		163.50	14.26	14.26	120.0	0.00	6.00	114.00	0.000	114.0	163.5	7.00	19,944
D	009	Round	bttm of slab - 3' gator floor &		32.000	0.000	0.000	120.0	0.00	4.00	116.00	0.000	116.0	646.5	9.50	82,118
D	010	Round	bttm of slab - 3' gator floor &		32.000	0.000	0.000	120.0	0.00	4.00	116.00	0.000	116.0	646.5	9.50	82,118
D	011	Irregular	bttm of slab full stice		163.50	14.26	14.26	120.0	0.00	6.00	114.00	0.000	114.0	163.5	7.00	19,944
D	012	Round	bttm of slab - 3' gator floor &		32.000	0.000	0.000	120.0	0.00	4.00	116.00	0.000	116.0	646.5	9.50	82,118
D	013	Round	bttm of slab - 3' gator floor &		32.000	0.000	0.000	120.0	0.00	4.00	116.00	0.000	116.0	646.5	9.50	82,118
D	014	Irregular	bttm of slab full stice		163.50	14.26	14.26	120.0	0.00	6.00	114.00	0.000	114.0	163.5	7.00	19,944
D	015	Round	bttm of slab - 3' gator floor &		32.000	0.000	0.000	120.0	0.00	4.00	116.00	0.000	116.0	646.5	9.50	82,118
D	016	Round	bttm of slab - 3' gator floor &		32.000	0.000	0.000	120.0	0.00	4.00	116.00	0.000	116.0	646.5	9.50	82,118
D	017	Round	bttm of slab		70.000	0.000	0.000	120.0	0.00	0.00	120.00	0.000	120.0	3093.6	10.0	408,355
D	017A	Irregular	bttm of slab- 1/2 stice		40.190	7.071	7.071	120.0	0.00	3.90	116.10	0.000	116.1	40.1	3.00	4,806
D	018	Peaked	top of sidewall		77.500	0.000	0.000	98.75	0.00	0.00	98.750	5.400	104.2	3792.0	10.0	434,639

Client ID: 3981

NDPSC Bin Capacity Chart

09/27/2018 02:36:23 PM

Exam Date:09/27/2018

Tronson Grain Company LLC
115 West 1st Street
Doyon , ND
County:

Page: 5

Examiner: 2

Status	Section	Bin Number	Bin Type	Base Point	Diameter or Bu/Ft (Irreg.)	Length	Width	Side wall	Add for Hopper	Ded. for Obst.	Effective Depth	Add for Peak	Depth for Capac.	Bushels per Foot	Base Pack%	Bushel Capacity with Pack	
Bin count:		19														Facility: Doyon Section: D Total:	<u>1,601,356</u>
															To Even:	<u>1,602,000</u>	

Section: Z

Added	Z	Huge Bunk	Flat	floor over bins	9.000	368.0	147.5	25.00	0.00	0.00	25.000	9.000	34.0	43633.4	10.0	1,631,890	
Bin count:		1														Facility: Doyon Section: Z Total:	<u>1,631,890</u>
															To Even:	<u>1,632,000</u>	

Exam Date:09/27/2018

Tronson Grain Company LLC
115 West 1st Street
Doyon , ND
County:

Page: 6

Status	Section	Bin Number	Bin Type	Base Point	Diameter or Bu/Ft (Irreg).		Side wall	Add for Hopper	Ded. for Obst.	Effective Depth	Add for Peak	Depth for Capac.	Bushels per Foot	Base Pack%	Bushel Capacity with Pack
					Length	Width									

Facility: Garske

Section: GA

GA	00 NH	Peaked	top of sidewall		15.000	0.000	0.000	20.00	2.00	0.00	22.000	0.900	22.9	142.1	5.50	3,433
GA	002 T	Irregular	floor over bins 6.5 x 9		37.000	0.000	0.000	10.00	0.00	0.00	10.000	0.000	10.0	37.0	3.00	381
GA	002 B	Square	floor & top = 10'		0.000	6.500	9.000	39.00	0.00	0.00	39.000	0.000	39.0	47.0	4.00	1,906
GA	003	Square	floor over bins		0.000	12.00	9.000	68.00	0.00	0.00	68.000	0.000	68.0	86.8	5.80	6,244
GA	004	Square	floor over bins		0.000	12.00	11.00	69.00	0.00	0.00	69.000	0.000	69.0	106.1	6.20	7,775
GA	006	Square	floor over bins		0.000	6.500	5.500	49.00	0.00	0.00	49.000	0.000	49.0	28.7	2.50	1,441
GA	007 T	Square	floor over bins		0.000	12.00	5.500	50.00	0.00	0.00	50.000	0.000	50.0	53.1	4.50	2,774
GA	007 B	Square	50' to bottom		0.000	12.00	10.00	18.00	0.00	0.00	18.000	0.000	18.0	96.5	6.00	1,841
GA	008	Square	floor over bins		0.000	6.000	4.500	50.00	0.00	0.00	50.000	0.000	50.0	21.7	2.00	1,107
GA	009	Square	floor over bins		0.000	6.000	4.500	50.00	0.00	0.00	50.000	0.000	50.0	21.7	2.00	1,107
GA	010	Square	floor over bins		0.000	3.000	10.00	49.00	0.00	0.00	49.000	0.000	49.0	24.1	2.50	1,211
GA	011	Square	floor over bins		0.000	6.500	5.500	49.00	0.00	0.00	49.000	0.000	49.0	28.7	2.50	1,441
GA	012	Square	floor over bins		0.000	6.500	5.500	49.00	0.00	0.00	49.000	0.000	49.0	28.7	2.50	1,441
GA	013 T	Square	floor over bins		0.000	4.000	4.500	27.00	0.00	0.00	27.000	0.000	27.0	14.5	2.00	400
GA	013 B	Square	top = 27'		0.000	4.000	10.00	22.00	0.00	0.00	22.000	0.000	22.0	32.2	2.50	726
GA	014	Square	floor over bins		0.000	4.000	5.500	27.00	0.00	0.00	27.000	0.000	27.0	17.7	2.00	488
GA	015	Square	floor over bins		0.000	12.00	9.000	69.00	0.00	0.00	69.000	0.000	69.0	86.8	5.80	6,336
GA	017	Square	floor over bins		0.000	12.00	5.500	45.00	0.00	0.00	45.000	0.000	45.0	53.1	4.50	2,498
GA	018	Square	floor over bins		0.000	6.500	5.500	49.00	0.00	0.00	49.000	0.000	49.0	28.7	2.50	1,441
GA	019	Square	floor over bins		0.000	6.500	5.500	50.00	0.00	0.00	50.000	0.000	50.0	28.7	2.50	1,471
GA	021	Square	floor over bins		0.000	12.00	9.000	68.00	0.00	0.00	68.000	0.000	68.0	86.8	5.80	6,244

Exam Date:09/27/2018

Tronson Grain Company LLC
 115 West 1st Street
 Doyon , ND
 County:

Page: 7

Examiner: 2

Status	Section	Bin Number	Bin Type	Base Point	Diameter or Bu/Ft (Irreg).	Length	Width	Side wall	Add for Hopper	Ded. for Obst.	Effective Depth	Add for Peak	Depth for Capac.	Bushels per Foot	Base Pack%	Bushel Capacity with Pack
--------	---------	------------	----------	------------	-------------------------------	--------	-------	--------------	----------------------	----------------------	--------------------	--------------------	------------------------	------------------------	---------------	------------------------------

Facility: Garske

Section: GA

GA	022 SH	Peaked	top of sidewall		15.000	0.000	0.000	20.00	2.00	0.00	22.000	0.900	22.9	142.1	5.50	3,433
GA	023 T	Irregular	floor over bins 6.5 x 9		37.000	0.000	0.000	10.00	0.00	0.00	10.000	0.000	10.0	37.0	3.00	381
GA	023 B	Square	floor over bins top = 10'		0.000	6.500	9.000	39.00	0.00	0.00	39.000	0.000	39.0	47.0	4.00	1,906
GA	201 T	Square	floor over bin		0.000	15.50	11.30	36.00	0.00	0.00	36.000	0.000	36.0	140.8	6.80	5,414
GA	201 B	Square	36' to bottom		0.000	13.00	11.30	8.000	0.00	0.00	8.000	0.000	8.0	118.1	6.20	1,004
GA	202 T	Square	floor over bin		0.000	15.50	11.60	36.00	0.00	0.00	36.000	0.000	36.0	144.5	6.80	5,556
GA	202 B	Square	36' to bottom		0.000	13.00	11.60	8.000	0.00	0.00	8.000	0.000	8.0	121.2	6.50	1,033
GA	203 T	Square	floor over bins		0.000	15.50	11.60	36.00	0.00	0.00	36.000	0.000	36.0	144.5	6.80	5,556
GA	203 B	Square	36' to bottom		0.000	13.00	11.60	8.000	0.00	0.00	8.000	0.000	8.0	121.2	6.50	1,033
GA	204 T	Square	floor over bin		0.000	15.50	11.60	36.00	0.00	0.00	36.000	0.000	36.0	144.5	6.80	5,556
GA	204 B	Square	36' to bottom		0.000	13.00	11.60	8.000	0.00	0.00	8.000	0.000	8.0	121.2	6.50	1,033
GA	205 T	Square	floor over bin		0.000	15.50	11.40	36.00	0.00	0.00	36.000	0.000	36.0	142.0	6.80	5,460
GA	205 B	Square	36' to bottom		0.000	13.00	11.40	8.000	0.00	0.00	8.000	0.000	8.0	119.1	6.20	1,012
GA	206 T	Square	floor over bin		0.000	15.50	11.40	36.00	0.00	0.00	36.000	0.000	36.0	142.0	6.80	5,460
GA	206 B	Square	36' to bottom		0.000	13.00	11.40	8.000	0.00	0.00	8.000	0.000	8.0	119.1	6.20	1,012
GA	207 T	Square	floor over bin		0.000	15.50	11.60	36.00	0.00	0.00	36.000	0.000	36.0	144.5	6.80	5,556
GA	207 B	Square	36' to bottom		0.000	13.00	11.60	8.000	0.00	0.00	8.000	0.000	8.0	121.2	6.50	1,033
GA	208 T	Square	floor over bin		0.000	15.50	11.60	36.00	0.00	0.00	36.000	0.000	36.0	144.5	6.80	5,556
GA	208 B	Square	36' to bottom		0.000	13.00	11.60	8.000	0.00	0.00	8.000	0.000	8.0	121.2	6.50	1,033
GA	209 T	Square	floor over bin		0.000	15.50	11.60	36.00	0.00	0.00	36.000	0.000	36.0	144.5	6.80	5,556
GA	209 B	Square	36' to bottom		0.000	13.00	11.60	8.000	0.00	0.00	8.000	0.000	8.0	121.2	6.50	1,033

Exam Date:09/27/2018

Tronson Grain Company LLC
115 West 1st Street
Doyon , ND
County:

Page: 8

Examiner: 2

Status	Section	Bin Number	Bin Type	Base Point	Diameter or Bu/Ft (Irreg).		Side wall	Add for Hopper	Ded. for Obst.	Effective Depth	Add for Peak	Depth for Capac.	Bushels per Foot	Base Pack%	Bushel Capacity with Pack
					Length	Width									

Facility: Garske

Section: GA

GA	210 T	Square	floor over bin	0.000	15.50	11.30	36.00	0.00	0.00	36.000	0.000	36.0	140.8	6.80	5,414
GA	210 B	Square	36' to bottom	0.000	13.00	11.30	8.000	0.00	0.00	8.000	0.000	8.0	118.1	6.20	1,004
GA	300G1	Peaked	top of sidewall	35.900	0.000	0.000	38.70	0.00	0.00	38.700	2.200	40.9	813.7	10.0	36,608
GA	300G2	Peaked	top of sidewall	35.900	0.000	0.000	38.70	0.00	0.00	38.700	2.200	40.9	813.7	10.0	36,608
GA	300G3	Peaked	top of sidewall	35.900	0.000	0.000	40.00	0.00	0.00	40.000	2.200	42.2	813.7	10.0	37,772
GA	300G4	Peaked	top of sidewall	35.900	0.000	0.000	40.00	0.00	0.00	40.000	2.200	42.2	813.7	10.0	37,772
GA	300G5	Peaked	top of sidewall	35.900	0.000	0.000	40.00	0.00	0.00	40.000	2.200	42.2	813.7	10.0	37,772
GA	300G6	Peaked	top of sidewall	35.900	0.000	0.000	40.00	0.00	0.00	40.000	2.200	42.2	813.7	10.0	37,772
GA	300G7	Peaked	top of sidewall	35.900	0.000	0.000	38.70	0.00	0.00	38.700	2.200	40.9	813.7	10.0	36,608
GA	300G8	Peaked	top of sidewall	35.900	0.000	0.000	38.70	0.00	0.00	38.700	2.200	40.9	813.7	10.0	36,608
GA	404	Peaked	top of sidewall	15.000	0.000	0.000	10.00	2.20	0.00	12.200	0.900	13.1	142.1	5.50	1,964
GA	405	Peaked	top of sidewall	15.000	0.000	0.000	10.00	2.20	0.00	12.200	0.900	13.1	142.1	5.50	1,964
GA	G109	Peaked	top of sidewall- check	30.000	0.000	0.000	56.00	0.00	0.00	56.000	1.800	57.8	568.2	9.00	35,798
GA	G110	Peaked	top of sidewall	30.000	0.000	0.000	56.00	0.00	0.00	56.000	1.800	57.8	568.2	9.00	35,798
GA	G111	Peaked	top of sidewall	30.000	0.000	0.000	56.00	0.00	0.00	56.000	1.800	57.8	568.2	9.00	35,798
GA	G112	Peaked	top of sidewall	18.000	0.000	0.000	50.75	2.70	0.00	53.450	1.100	54.6	204.6	6.00	11,841
GA	G113	Peaked	top of sidewall	18.000	0.000	0.000	50.75	2.70	0.00	53.450	1.100	54.6	204.6	6.00	11,841

Bin count: 59

Facility: Garske Section: GA Total: 555,264

To Even: 556,000

Exam Date:09/27/2018

Tronson Grain Company LLC
115 West 1st Street
Doyon , ND
County:

Page: 9

Examiner: 2

Status	Section	Bin Number	Bin Type	Base Point	Diameter or Bu/Ft (Irreg).		Side wall	Add for Hopper	Ded. for Obst.	Effective Depth	Add for Peak	Depth for Capac.	Bushels per Foot	Base Pack%	Bushel Capacity with Pack
					Length	Width									

Facility: Garske

Section: GF

GF	601 T	Square	floor over bins		0.000	14.40	11.50	39.00	0.00	0.00	39.000	0.000	39.0	133.1	6.50	5,528
GF	601 B	Square	39' to bottom		0.000	10.00	11.10	8.500	0.00	0.00	8.500	0.000	8.5	89.2	5.80	802
GF	602 T	Square	floor over bins		0.000	14.40	11.90	39.00	0.00	0.00	39.000	0.000	39.0	137.7	6.50	5,719
GF	602 B	Square	39' to bottom		0.000	10.00	11.50	8.500	0.00	0.00	8.500	0.000	8.5	92.4	5.80	831
GF	603 T	Square	floor over bins		0.000	14.40	11.90	39.00	0.00	0.00	39.000	0.000	39.0	137.7	6.50	5,719
GF	603 B	Square	39' to bottom		0.000	10.00	11.50	8.500	0.00	0.00	8.500	0.000	8.5	92.4	5.80	831
GF	604 T	Square	floor over bins		0.000	14.40	11.90	39.00	0.00	0.00	39.000	0.000	39.0	137.7	6.50	5,719
GF	604 B	Square	39' to bottom		0.000	10.00	11.50	8.500	0.00	0.00	8.500	0.000	8.5	92.4	5.80	831
GF	605 T	Irregular	floor over bins	14.4 x 11.8	122.40	0.000	0.000	39.00	0.00	0.00	39.000	0.000	39.0	122.4	6.50	5,084
GF	605 B	Square	39' to bottom		0.000	10.00	11.40	8.500	0.00	0.00	8.500	0.000	8.5	91.6	5.80	824
GF	606	Square	floor over bins		0.000	14.30	11.60	47.50	0.00	0.00	47.500	0.000	47.5	133.3	6.50	6,744
GF	607	Square	floor over bins		0.000	14.30	11.70	47.50	0.00	0.00	47.500	0.000	47.5	134.5	6.50	6,804
GF	608	Square	floor over bins		0.000	14.30	11.70	47.50	0.00	0.00	47.500	0.000	47.5	134.5	6.50	6,804
GF	609	Square	floor over bins		0.000	14.30	11.70	47.50	0.00	0.00	47.500	0.000	47.5	134.5	6.50	6,804
GF	610	Square	floor over bins		0.000	14.30	11.40	47.50	0.00	0.00	47.500	0.000	47.5	131.0	6.50	6,627
GF	700	Peaked	floor over bins		12.000	0.000	0.000	8.000	2.00	0.00	10.000	0.700	10.7	90.9	5.00	1,022
GF	701.	Peaked			16.000	0.000	0.000	25.00	2.40	0.00	27.400	1.000	28.4	161.6	5.80	4,855
GF	702	Peaked			16.000	0.000	0.000	25.00	2.40	0.00	27.400	1.000	28.4	161.6	5.80	4,855
GF	703	Peaked			16.000	0.000	0.000	25.00	2.40	0.00	27.400	1.000	28.4	161.6	5.80	4,855
GF	704	Peaked			16.000	0.000	0.000	25.00	2.40	0.00	27.400	1.000	28.4	161.6	5.80	4,855
GF	705	Peaked			16.000	0.000	0.000	25.00	2.40	0.00	27.400	1.000	28.4	161.6	5.80	4,855

Client ID: 3981

NDPSC Bin Capacity Chart

09/27/2018 02:36:23 PM

Exam Date:09/27/2018

Tronson Grain Company LLC

Page: 10

Examiner: 2

115 West 1st Street

Doyon , ND

County:

Status	Section	Bin Number	Bin Type	Base Point	Diameter or Bu/Ft (Irreg.) Length	Width	Side wall	Add for Hopper	Ded. for Obst.	Effective Depth	Add for Peak	Depth for Capac.	Bushels per Foot	Base Pack%	Bushel Capacity with Pack
--------	---------	------------	----------	------------	---	-------	--------------	----------------------	----------------------	--------------------	--------------------	------------------------	------------------------	---------------	------------------------------

Facility: Garske**Section: GF**

GF	706		Peaked		16.000	0.000	0.000	25.00	2.40	0.00	27.400	1.000	28.4	161.6	5.80	4,855
GF	707		Peaked		16.000	0.000	0.000	25.00	2.40	0.00	27.400	1.000	28.4	161.6	5.80	4,855
GF	708		Peaked		16.000	0.000	0.000	25.00	2.40	0.00	27.400	1.000	28.4	161.6	5.80	4,855

Bin count: 24

Facility: Garske Section: GF Total: 105,533To Even: 106,000

Exam Date:09/27/2018

Tronson Grain Company LLC

Page: 11

Examiner: 2

115 West 1st Street

Doyon , ND

County:

Status	Section	Bin Number	Bin Type	Base Point	Diameter or Bu/Ft (Irreg).		Side wall	Add for Hopper	Ded. for Obst.	Effective Depth	Add for Peak	Depth for Capac.	Bushels per Foot	Base Pack%	Bushel Capacity with Pack	
					Length	Width										
<u>Facility: Tolna</u>																
<u>Section: G</u>																
G	001 T		Square	floor over bins	0.000	6.300	4.500	30.00	0.00	0.00	30.000	0.000	30.0	22.8	2.00	698
G	001 B		Square	30' to bottom	0.000	11.10	4.500	15.00	0.00	0.00	15.000	0.000	15.0	40.2	3.00	621
G	003		Square	floor over bins	0.000	4.400	4.500	30.00	0.00	0.00	30.000	0.000	30.0	15.9	2.00	487
G	004		Square	floor over bins	0.000	6.100	7.300	50.00	0.00	0.00	50.000	0.000	50.0	35.8	3.00	1,844
G	005		Square	floor over bins	0.000	11.10	13.60	69.00	0.00	0.00	69.000	0.000	69.0	121.4	6.50	8,922
G	006		Square	floor over bins	0.000	12.10	6.600	49.00	0.00	0.00	49.000	0.000	49.0	64.2	5.00	3,303
G	007		Square	floor over bins	0.000	12.10	6.600	49.00	0.00	0.00	49.000	0.000	49.0	64.2	5.00	3,303
G	009 T		Square	floor over bins	0.000	11.10	6.600	54.00	0.00	0.00	54.000	0.000	54.0	58.9	4.80	3,334
G	009 B		Square	54' to bottom	0.000	10.70	13.30	14.00	0.00	0.00	14.000	0.000	14.0	114.4	6.20	1,701
G	010		Square	floor over bins	0.000	5.800	7.300	50.00	0.00	0.00	50.000	0.000	50.0	34.0	2.50	1,743
G	011		Square	floor over bins	0.000	11.10	6.600	48.00	0.00	0.00	48.000	0.000	48.0	58.9	4.80	2,963
G	012		Square	floor over bins	0.000	11.10	7.300	48.00	0.00	0.00	48.000	0.000	48.0	65.1	5.00	3,281
G	014 T		Irregular	floor over bins 11 x 6.9 with	54.600	0.000	0.000	14.00	0.00	0.00	14.000	0.000	14.0	54.6	4.50	798
G	014 B		Square	14' to bottom	0.000	11.10	6.900	34.00	0.00	0.00	34.000	0.000	34.0	61.6	4.80	2,195
G	015		Square	floor over bins	0.000	5.800	6.900	50.00	0.00	0.00	50.000	0.000	50.0	32.2	2.50	1,650
G	016		Square	floor over bins	0.000	11.10	7.300	48.00	0.00	0.00	48.000	0.000	48.0	65.1	5.00	3,281
G	017 T		Square	floor over bins	0.000	11.10	6.300	54.00	0.00	0.00	54.000	0.000	54.0	56.2	4.80	3,181
G	017 B		Square	54' to bottom	0.000	10.70	13.30	14.00	0.00	0.00	14.000	0.000	14.0	114.4	6.20	1,701
G	018		Square	floor over bins	0.000	5.800	7.300	49.00	0.00	0.00	49.000	0.000	49.0	34.0	2.50	1,708
G	019		Square	floor over bins	0.000	5.800	6.300	49.00	0.00	0.00	49.000	0.000	49.0	29.4	2.50	1,477
G	020		Square	floor over bins	0.000	6.100	6.300	49.00	0.00	0.00	49.000	0.000	49.0	30.9	2.50	1,552

Exam Date:09/27/2018

Tronson Grain Company LLC
 115 West 1st Street
 Doyon , ND
 County:

Examiner: 2

Status	Section	Bin Number	Bin Type	Base Point	Diameter or Bu/Ft (Irreg).		Side wall	Add for Hopper	Ded. for Obst.	Effective Depth	Add for Peak	Depth for Capac.	Bushels per Foot	Base Pack%	Bushel Capacity with Pack
					Length	Width									

Facility: Tolna

Section: G

G	021	Square	floor over bins	0.000	6.100	7.300	49.00	0.00	0.00	49.000	0.000	49.0	35.8	3.00	1,807
G	022 T	Square	floor over bins	0.000	6.400	13.80	53.00	0.00	0.00	53.000	0.000	53.0	71.0	5.20	3,959
G	022 B	Square	53' to bottom	0.000	10.70	13.40	16.00	0.00	0.00	16.000	0.000	16.0	115.3	6.20	1,959
G	023	Square	floor over bins	0.000	4.500	6.300	52.00	0.00	0.00	52.000	0.000	52.0	22.8	2.00	1,210
G	024	Square	floor over bins	0.000	4.500	7.300	52.00	0.00	0.00	52.000	0.000	52.0	26.4	2.50	1,407
G	025	Square	floor over bins	0.000	6.300	4.000	50.00	0.00	0.00	50.000	0.000	50.0	20.3	2.00	1,035
G	026	Square	floor over bins	0.000	6.100	6.900	50.00	0.00	0.00	50.000	0.000	50.0	33.8	2.50	1,732
G	027	Peaked	top of sidewall	35.900	0.000	0.000	62.30	0.00	0.00	62.300	2.200	64.5	813.7	10.0	57,732
G	028	Peaked	top of sidewall	41.800	0.000	0.000	47.70	0.00	0.00	47.700	2.500	50.2	1103.1	10.0	60,914
G	029	Peaked	top of sidewall	41.800	0.000	0.000	48.00	0.00	0.00	48.000	2.500	50.5	1103.1	10.0	61,278
G	030	Peaked	top of sidewall	29.900	0.000	0.000	62.50	0.00	0.00	62.500	1.800	64.3	564.4	9.00	39,557
G	031	Peaked	top of sidewall	32.900	0.000	0.000	62.50	0.00	0.00	62.500	2.000	64.5	683.4	9.50	48,267
G	032	Peaked	top of sidewall	32.900	0.000	0.000	64.00	0.00	0.00	64.000	2.000	66.0	683.4	9.50	49,389
G	033	Peaked	top of sidewall	18.000	0.000	0.000	24.00	0.00	0.00	24.000	1.100	25.1	204.6	6.00	5,443
G	034	Peaked	top of sidewall	12.200	0.000	0.000	15.00	2.00	0.00	17.000	0.700	17.7	94.0	5.00	1,747
G	035	Peaked	top of sidewall	14.500	0.000	0.000	17.00	2.00	0.00	19.000	0.900	19.9	132.7	5.50	2,786

Bin count: 37

Facility: Tolna Section: G Total: 389,965

To Even: 390,000

Client ID: 3981

NDPSC Bin Capacity Chart

09/27/2018 02:36:23 PM

Exam Date:09/27/2018

Tronson Grain Company LLC
115 West 1st Street
Doyon , ND
County:

Page: 13

Examiner: 2

Status	Section	Bin Number	Bin Type	Base Point	Diameter or Bu/Ft (Irreg.)	Length	Width	Side wall	Add for Hopper	Ded. for Obst.	Effective Depth	Add for Peak	Depth for Capac.	Bushels per Foot	Base Pack%	Bushel Capacity with Pack
--------	---------	------------	----------	------------	-------------------------------	--------	-------	--------------	----------------------	----------------------	--------------------	--------------------	------------------------	------------------------	---------------	------------------------------

Facility: Tolna

Section: I

I	201	Peaked	top of sidewall farm site	41.900	0.000	0.000	21.30	0.00	0.00	21.300	2.500	23.8	1108.4	10.0	29,018
I	202	Peaked	top of sidewall farm site	41.900	0.000	0.000	21.30	0.00	0.00	21.300	2.500	23.8	1108.4	10.0	29,018
I	203	Quonset	get dimensions	0.000	158.0	48.00	9.000	0.00	0.00	9.000	0.000	9.0	5950.3	10.0	58,909

Bin count: 3

Facility: Tolna Section: I Total: 116,945

To Even: 117,000

Overall Licensed Bin Capacity for:

Tronson Grain Company LLC

Bin count: 194

Licensed Capacity:
(includes pack)

5,218,581 Bu.

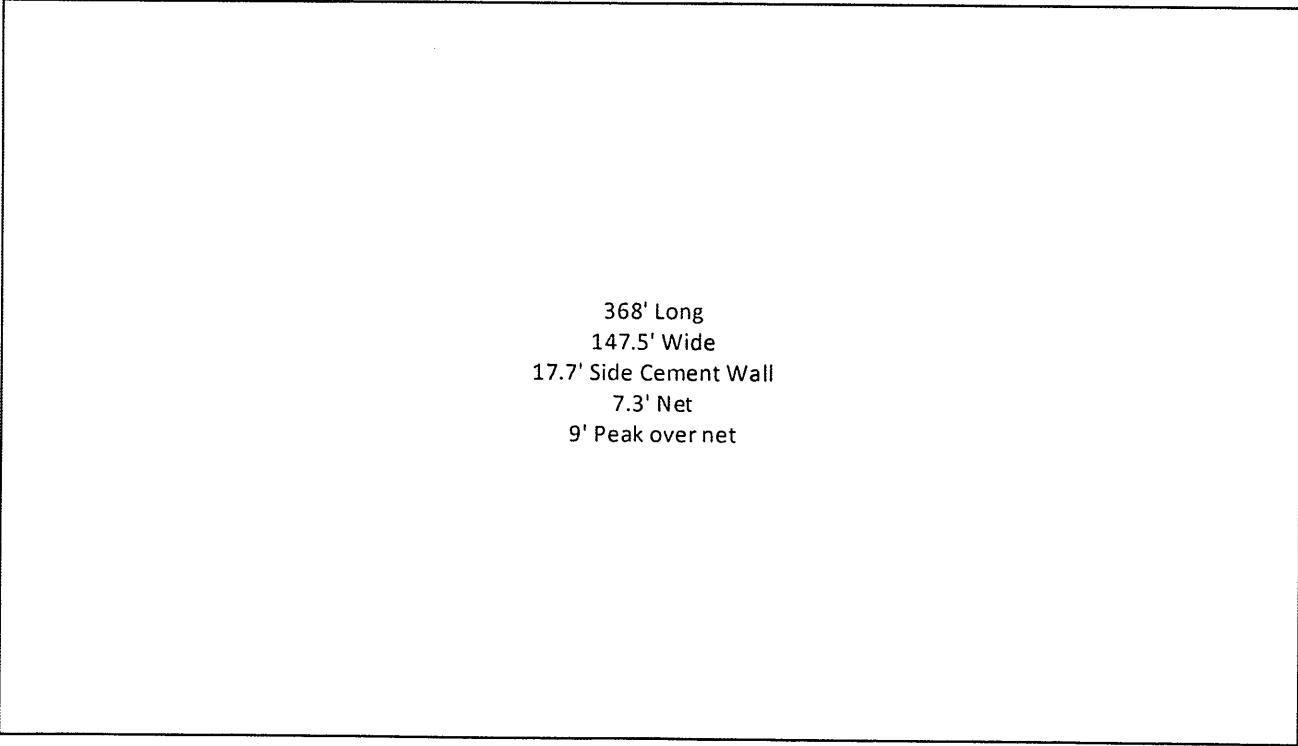
Licensed Capacity (to even):
(includes pack and section totals are
rounded up to next highest 1000)

5,222,000 Bu.

+ 1,865 temp

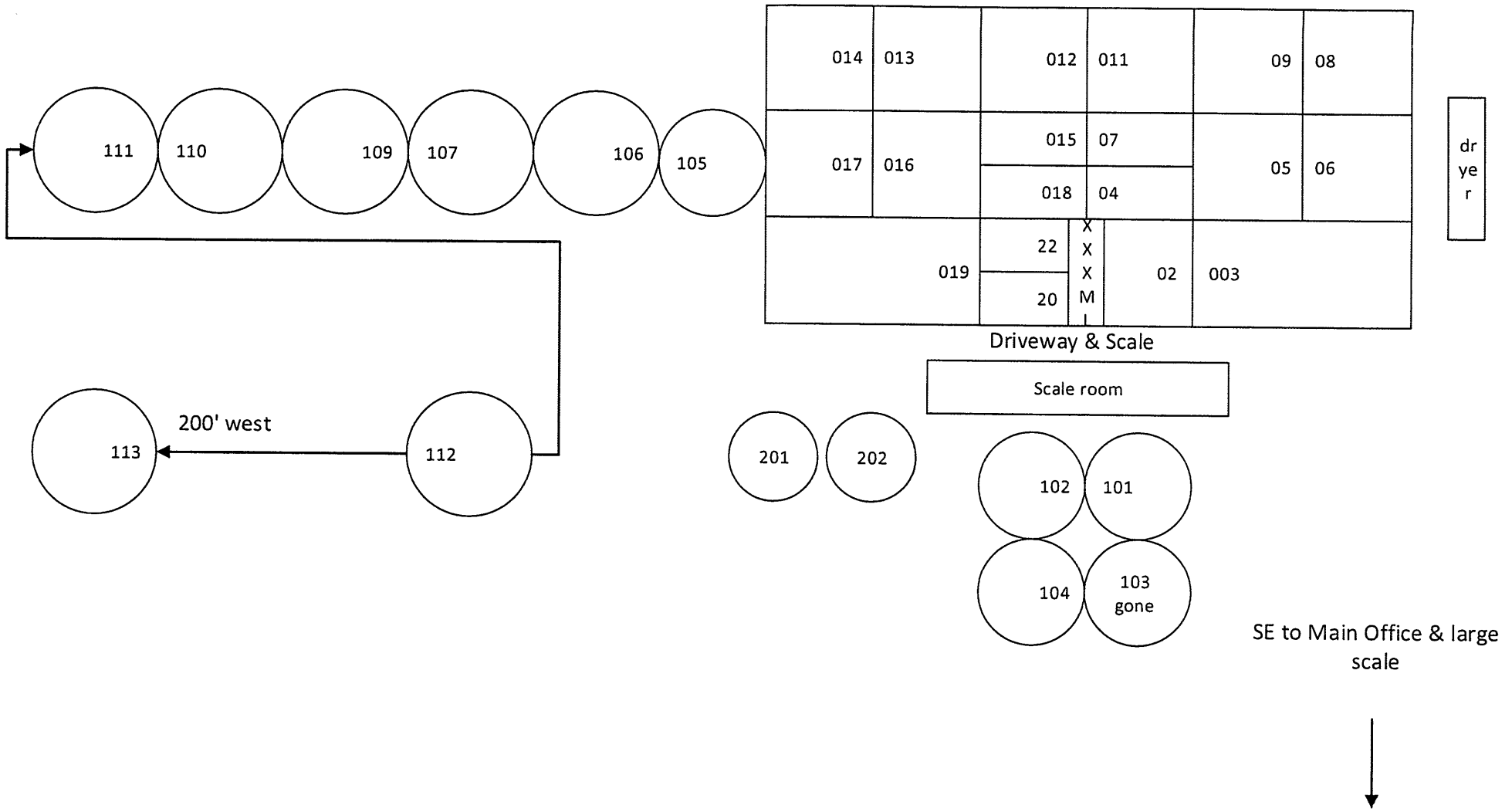
7,087 M

Tronson Grain LLC
#3981
Section Z
"Huge Quonset"
PH 9/27/18



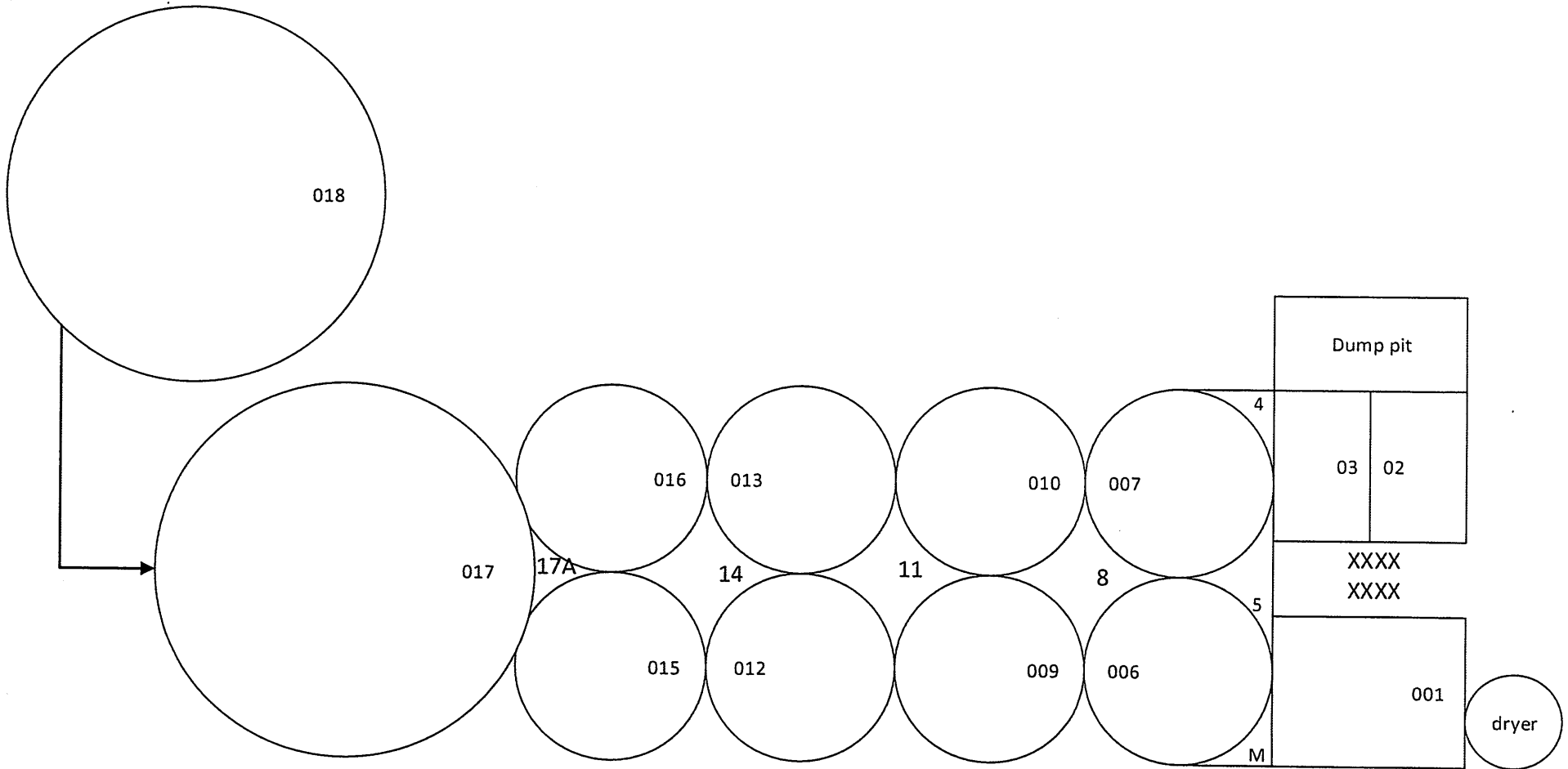
368' Long
147.5' Wide
17.7' Side Cement Wall
7.3' Net
9' Peak over net

TRONSON GRAIN CO. LLC
Corp #3981
Doyon, ND- Section A
BNSF Rail



TRONSON GRAIN CO. LLC
Corp #3981
Doyon, ND- Section D
Concrete complex

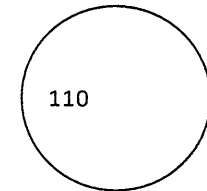
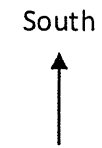
To Scale & Scale Room



BNSF Rail Loop

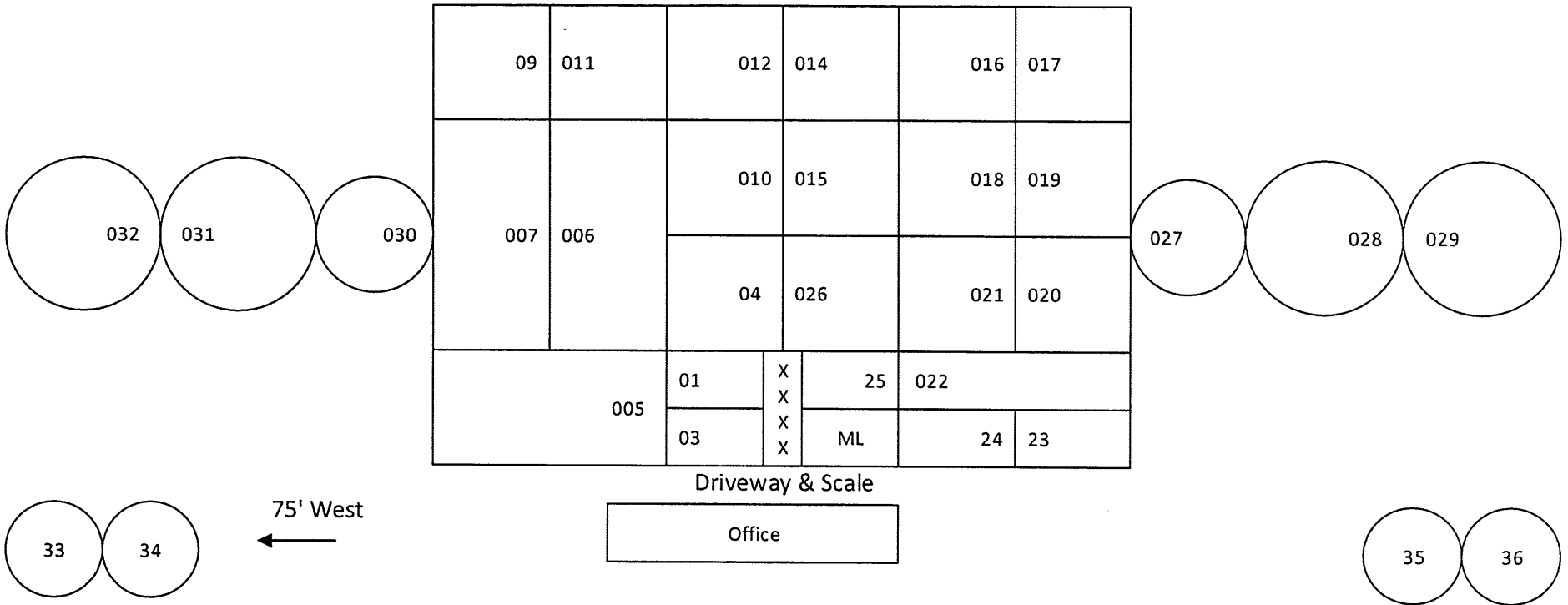
TRONSON GRAIN CO. LLC
Corp #3981
Doyon, ND- Section C
Flat storage complex south
side of Highway 2

Bins 101 thru 108
119.2L x 24.9' W
Grain wall ht. 16.0'
Center alley 109
108.6'L x 49.3'W



108	109	104
107		103
106		102
105		101

TRONSON GRAIN CO. LLC
 Corp #3981
 Tolna ND
 Section G
 BNSF Rail



SECTION I Luehring bin site
 Located 1/2 mile N & 1/2 mile E
 consists of 2 bins & quonset