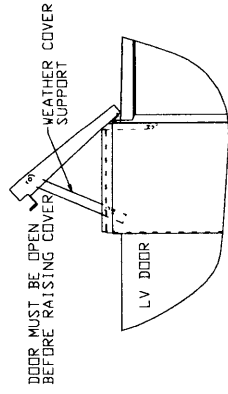
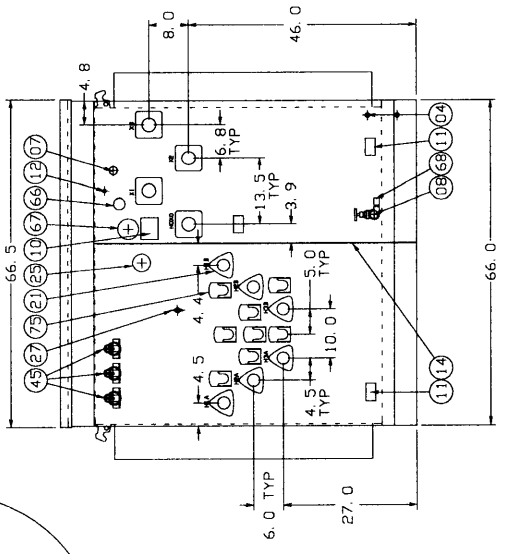
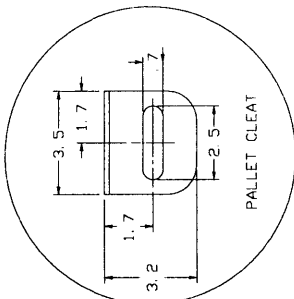
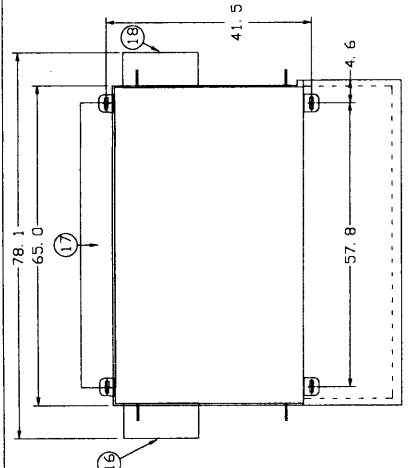
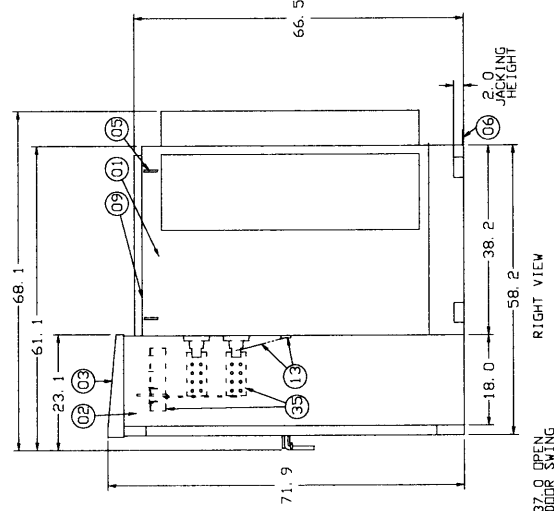
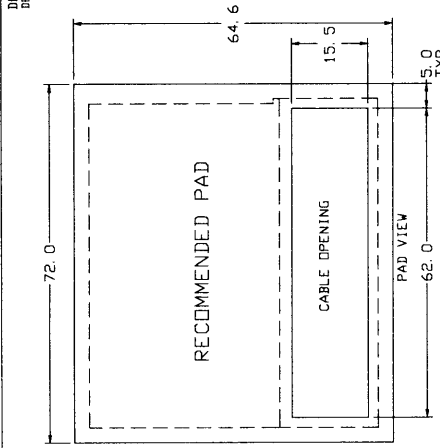


DOWNLOAD INSTRUCTION BOOKS AT WWW.ABB.COM/TRANSFORMERS
DESCARGAR LIBRO DE INSTRUCCIONES EN WWW.ABB.COM/TRANSFORMERS

THIS OUTLINE IS FOR ERECTION OR MOUNTING PURPOSES. IT IS NOT TO SCALE AND SHOULD NOT BE REGARDED AS INDICATING THE EXACT DETAILS OF CONSTRUCTION.

- 01 TANK CABINET BOLTED-ON, REMOVABLE
- 02 SILLS OPEN BOT FOR 25 INCH FLANGE
- 03 FOR PADLOCK STOP IN OPEN POSITION
- 04 WEATHER COVER, REMOVABLE OR HINGED
- 05 PROVISIONS FOR TANK TO CABINET GROUND
- 06 SHIPPING BRACKETS
- 07 1 INCH FILL PLUG
- 08 HANDLE 9.5 INCH X 17.5 INCH
- 09 BOLTED-ON COVER
- 10 NAMEPLATE MOUNTED ON TANK WALL
- 11 LV COMPARTMENT NO. 13-TAP, HV AND
- 12 PRESSURE RELIEF DEVICE
- 13 LV NEUTRAL GROUND PAD, 50-13-TAP
- 14 HV/LV BARRIER (STEEL)
- 15 LEFT SIDE COOLER
- 16 RIGHT SIDE COOLER
- 17 200 AMP WELL HIGH VOLTAGE BUSHING
- 18 WITH LOADBREAK INSERTS 15 KV
- 19 300 AMP AMPER TRANSFORMER SWITCH
- 20 LOW VOLTAGE BUSHING, ANST SPACES,
- 21 WITH 8 HOLES AND SPARE SUPPORTS
- 22 WITH SCODD TRIP SHIELDS
- 23 OIL LEVEL GAUGE
- 24 REMOVABLE WITH SAMPLER
- 25 PARKING STAND

- PENTA-HEAD CABINET BOLT
- EXTERNAL KVA/LV SERIAL STENCIL
- GREEN MUNSELL 76Y 3.29/1.5



TITLE	0133PDAUNT	ABB INC.	REV NO
DES	03PH OUTLINE	USER USNEU	01
DIMENSIONS IN INCHES-SCALE 1:1	CADAM 2E9140911NBN939D1.1		
DFTM DUEHNEFFER	080114 APPD XXXX	MMDDYY	J801B39D
D SPEC XXXXXX	APPD	LAYOUT MODEL ID	
ENG. REF XXXXXX		JEFFERSON CITY, MO	USA
ENGINEERING DEPT.			

H.V. 12470GRDY/200
L.V. 480V/277

KVA 1500

REV DATA