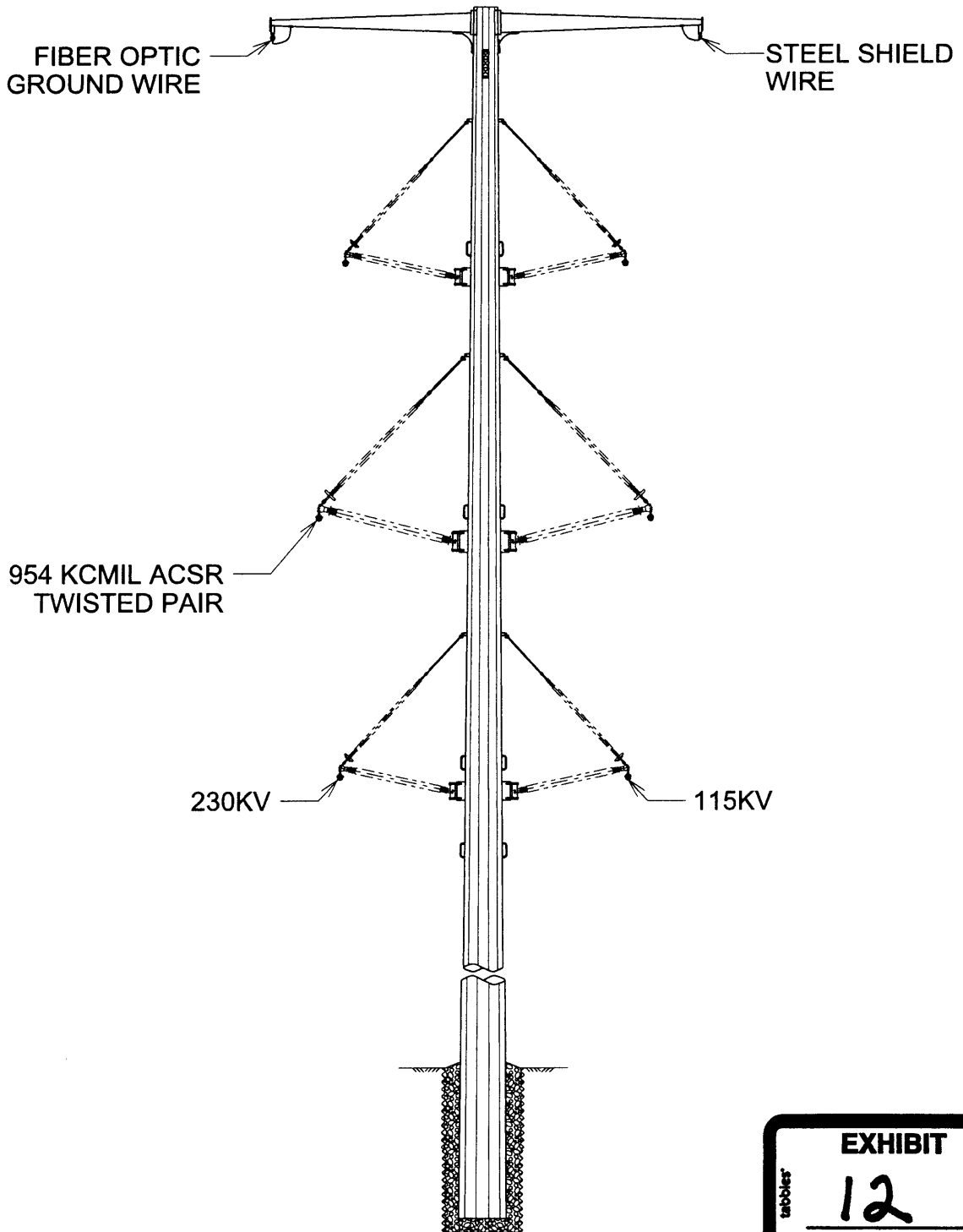


NL-270540-P7.DGN



tabbles	<b>EXHIBIT</b>
	12

THIS MAP/DOCUMENT IS A TOOL TO ASSIST EMPLOYEES IN THE PERFORMANCE OF THEIR JOBS.YOUR PERSONAL SAFETY IS PROVIDED FOR BY USING SAFETY PRACTICES, PROCEDURES AND EQUIPMENT AS DESCRIBED IN THE SAFETY TRAINING PROGRAMS, MANUALS AND SPARS.

INTERNAL INFORMATION: DO NOT COPY OR DISTRIBUTE WITHOUT EXPRESS WRITTEN CONSENT FROM XCEL ENERGY

2/8/2017 2:45:44 PM

LINE 0924

230kV

PERMIT DRAWING

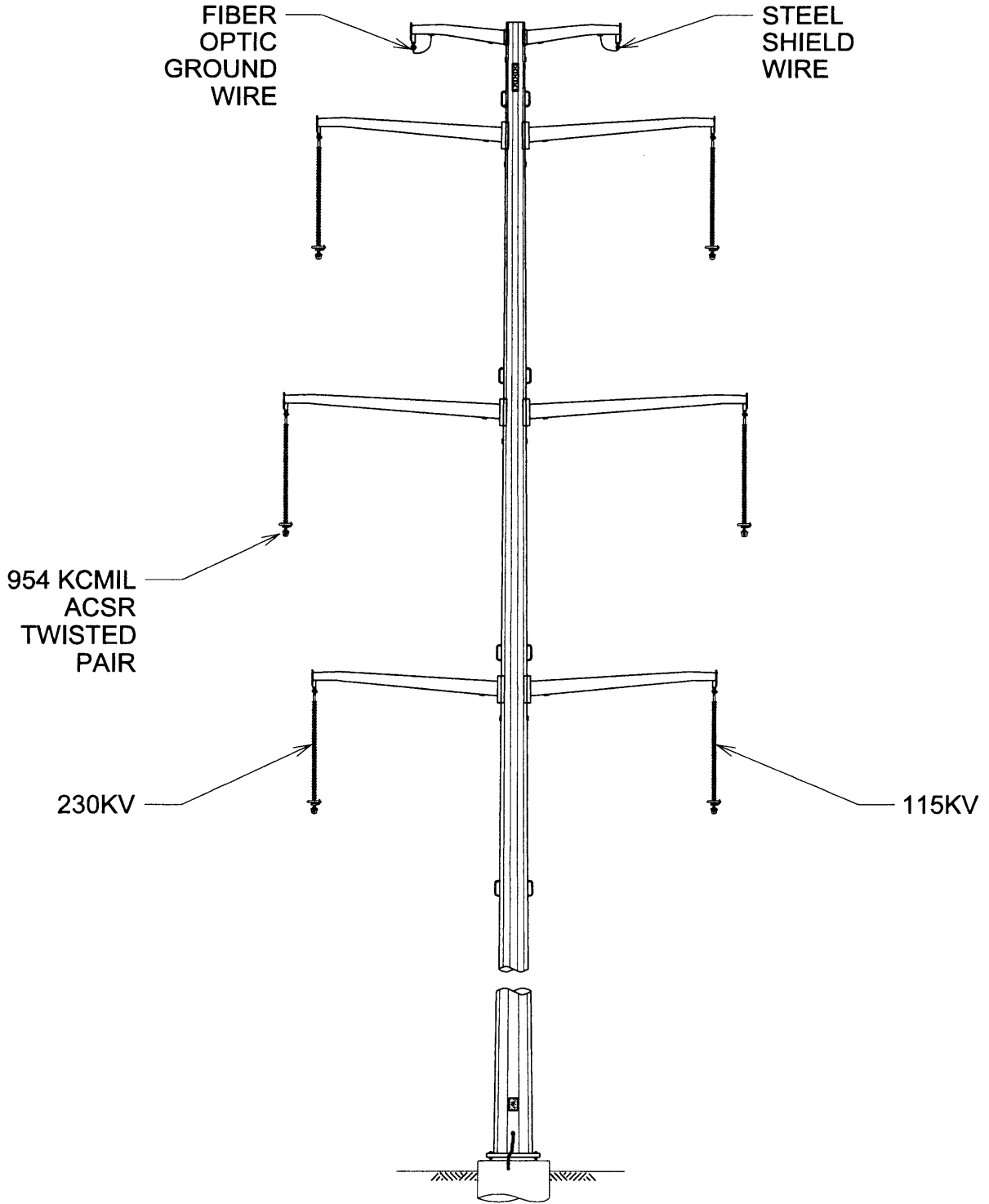
EXHIBIT 7 - TYP D.C. TAN STEEL DAVIT ARM BRACED POST DIRECT EMBED



NL-270540-7

SCALE	REV
NONE	1

NL-270540-P9.DGN



THIS MAP/DOCUMENT IS A TOOL TO ASSIST EMPLOYEES IN THE PERFORMANCE OF THEIR JOBS.YOUR PERSONAL SAFETY IS PROVIDED FOR BY USING SAFETY PRACTICES, PROCEDURES AND EQUIPMENT AS DESCRIBED IN THE SAFETY TRAINING PROGRAMS, MANUALS AND SPARS.

INTERNAL INFORMATION: DO NOT COPY OR DISTRIBUTE WITHOUT EXPRESS WRITTEN CONSENT FROM XCEL ENERGY

LINE 0924

230kV

PERMIT DRAWING

EXHIBIT 9 - TYPICAL D.C. STEEL DAVIT ARM I-STRING STR ON FDN

8/16/2017 4:27:33 PM

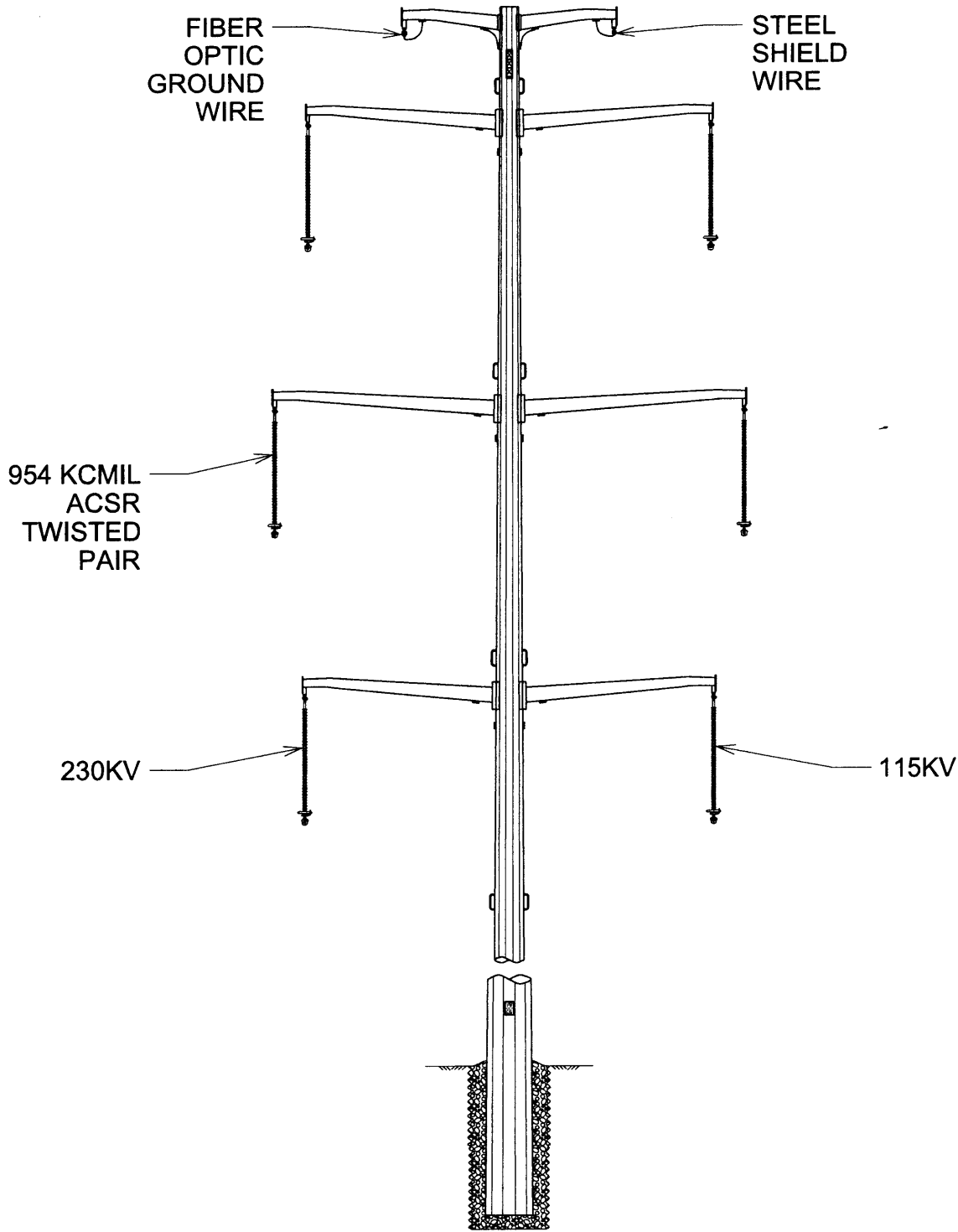


NL-270540-9

SCALE  
NONE

REV  
1

NL-270540-P10.DGN



THIS MAP/DOCUMENT IS A TOOL TO ASSIST EMPLOYEES IN THE PERFORMANCE OF THEIR JOBS.YOUR PERSONAL SAFETY IS PROVIDED FOR BY USING SAFETY PRACTICES, PROCEDURES AND EQUIPMENT AS DESCRIBED IN THE SAFETY TRAINING PROGRAMS, MANUALS AND SPARS.

INTERNAL INFORMATION: DO NOT COPY OR DISTRIBUTE WITHOUT EXPRESS WRITTEN CONSENT FROM XCEL ENERGY

8/16/2017 4:45:08 PM

LINE 0924

230kV

PERMIT DRAWING

EXHIBIT 10 - TYP D.C. TAN STEEL DAVIT ARM I-STRING DIRECT EMBED

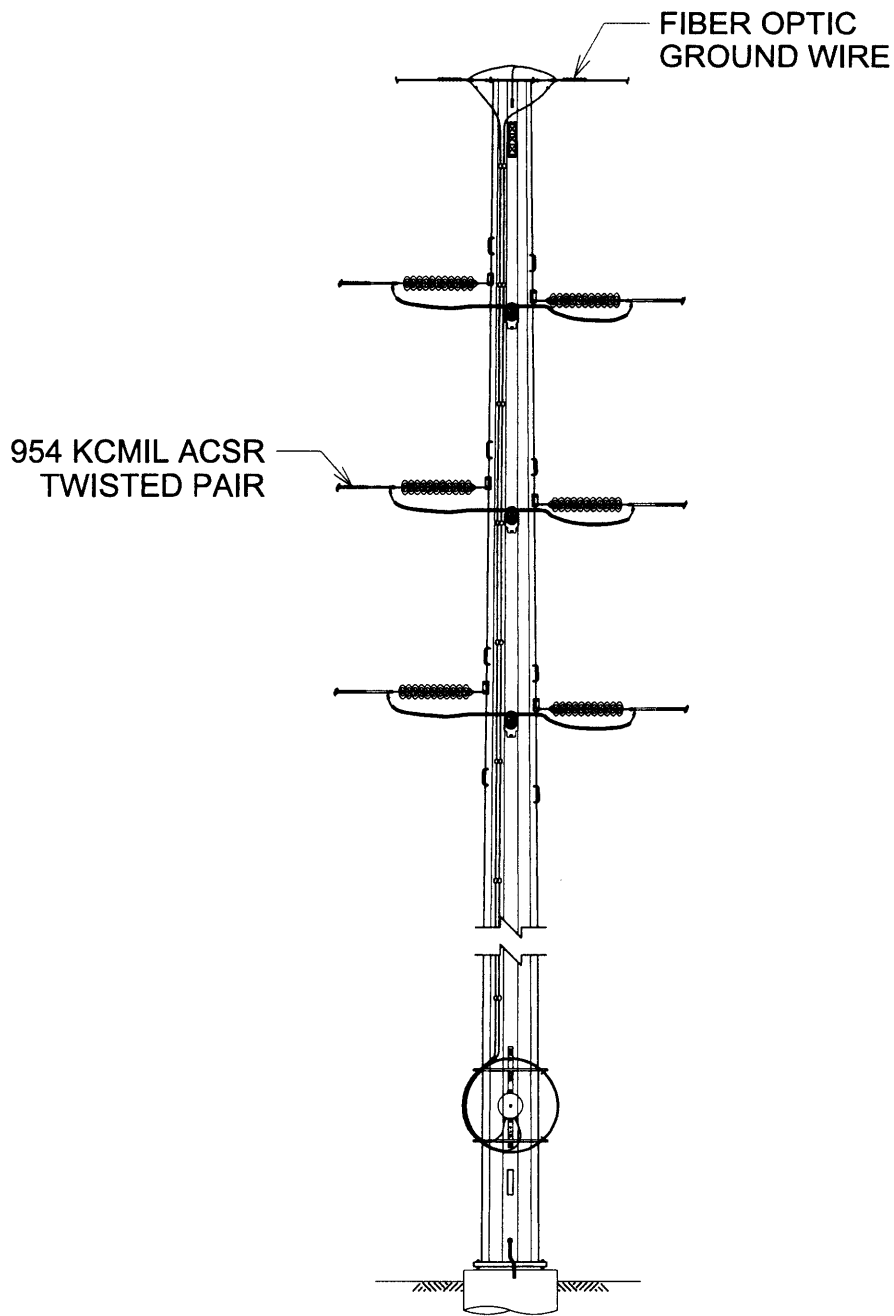


NL-270540-10

SCALE  
NONE

REV  
1

NL-270540-P5.DGN



THIS MAP/DOCUMENT IS A TOOL TO ASSIST EMPLOYEES IN THE PERFORMANCE OF THEIR JOBS.YOUR PERSONAL SAFETY IS PROVIDED FOR BY USING SAFETY PRACTICES, PROCEDURES AND EQUIPMENT AS DESCRIBED IN THE SAFETY TRAINING PROGRAMS, MANUALS AND SPARS.

INTERNAL INFORMATION: DO NOT COPY OR DISTRIBUTE WITHOUT EXPRESS WRITTEN CONSENT FROM XCEL ENERGY

11/19/2015 3:48:48 PM

LINE 0924

230kV

PERMIT DRAWING

EXHIBIT 5 - TYPICAL S.C. MONOPOLE STEEL DEAD END STR ON FDN



NL-270540-5

SCALE  
NONE

REV  
0