



March 16, 2017  
Via Overnight Delivery  
(Plus E-Mailed Copy)

Mr. Darrell Nitschke, Executive Secretary  
North Dakota Public Service Commission  
600 East Boulevard Avenue  
Department 408  
Bismarck, ND 58505-0480



**RE: Broadvox-CLEC, LLC  
North Dakota Tariff No. 1 – Access Tariff Revision**

Dear Mr. Nitschke:

Enclosed for filing please find the original of the above referenced tariff filing submitted on behalf of Broadvox-CLEC, LLC. The purpose of this filing is to revise several Switched Access diagrams and its accompanying language. The Company respectfully requests an effective date for this filing of March 18, 2017.

This filing has also been submitted electronically via email to [ndpsc@nd.gov](mailto:ndpsc@nd.gov).

The following tariff pages are included with this filing:

3 <sup>rd</sup> Revised Page No. 1	Updates Check Sheet
1 <sup>st</sup> Revised Pages Nos. 60-63	Revises diagrams and language.

Please acknowledge receipt of this filing by date-stamping the extra copy of this cover letter and returning it to me in the self-addressed, stamped envelope provided for that purpose.

Any questions you may have regarding this filing should be directed to my attention at 407-740-3006 or via email to [croesel@tminc.com](mailto:croesel@tminc.com). Thank you for your assistance in this matter.

Sincerely,

Carey Roesel  
Consultant to Broadvox-CLEC, LLC

cc: Mary Buley - Broadvox  
file: Broadvox - North Dakota - Access  
tms: NDa1701

Enclosures  
CR/cc

1 PU-17-104 Filed 03/16/2017 Pages: 6  
North Dakota Tariff No. 1 – Access Tariff Revision  
Broadvox-CLEC, LLC  
Carey Roesel

CHECK SHEET

Pages of this tariff, as indicated below, are effective as of the date shown at the bottom of the respective pages. Original and revised pages, as named below, comprise all changes from the original tariff and are currently in effect as of the date on the bottom of this page.

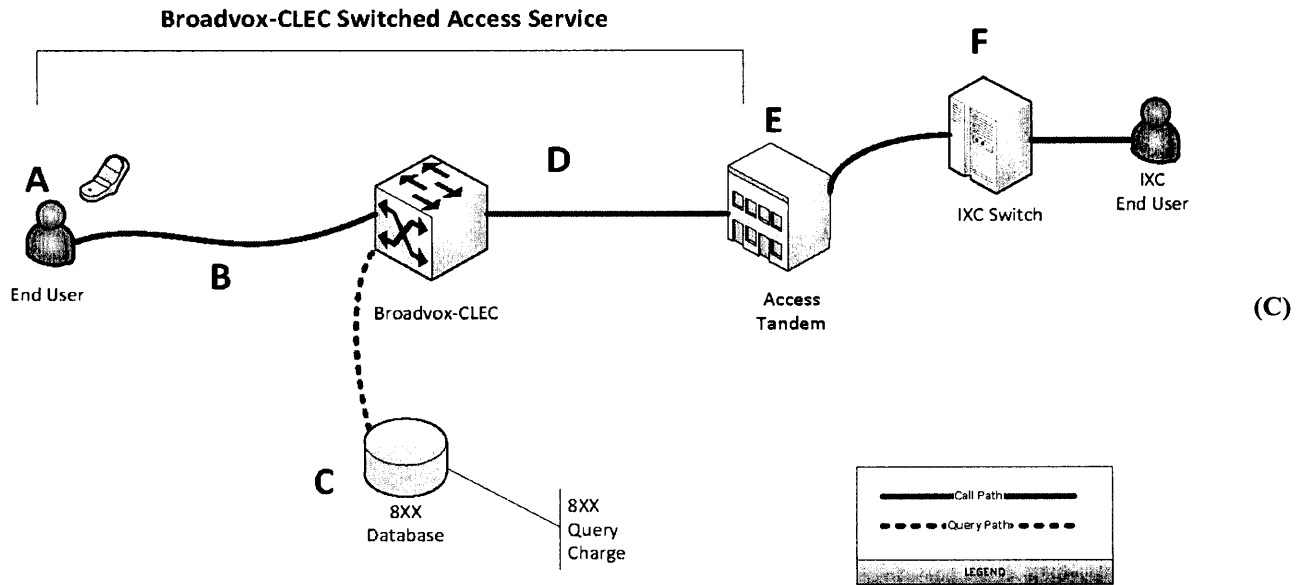
PAGE	REVISION		PAGE	REVISION	PAGE	REVISION
Title	Original		25	1 <sup>st</sup> Revised	51	Original
1	3 <sup>rd</sup> Revised	*	26	Original	52	Original
2	Original		27	Original	53	Original
3	Original		28	Original	54	Original
4	Original		29	1 <sup>st</sup> Revised	55	Original
5	Original		30	Original	56	Original
6	Original		31	Original	57	Original
7	Original		32	Original	58	Original
8	Original		33	Original	59	Original
9	Original		34	Original	60	1 <sup>st</sup> Revised *
10	Original		35	1 <sup>st</sup> Revised	61	1 <sup>st</sup> Revised *
11	Original		36	Original	62	1 <sup>st</sup> Revised *
12	Original		37	Original	63	1 <sup>st</sup> Revised *
13	Original		38	Original	64	Original
14	1 <sup>st</sup> Revised		39	Original	65	Original
14.1	Original		40	Original	66	Original
15	1 <sup>st</sup> Revised		41	Original	67	Original
16	Original		42	Original	68	1 <sup>st</sup> Revised
17	Original		43	Original	69	1 <sup>st</sup> Revised
18	1 <sup>st</sup> Revised		44	Original	70	Original
19	Original		45	Original	71	Original
20	Original		46	Original	72	Original
21	Original		47	Original	73	Original
22	Original		48	Original	74	Original
23	Original		49	Original	75	Original
24	Original		50	Original		

\* - indicates those pages included with this filing

**SECTION 3 - SWITCHED ACCESS SERVICE, (CONT'D)**

**3.9 Call Flow Diagrams**

**Originating and Terminating Access – Indirect Connection; Broadvox - CLEC End User**



**Originating Call Flow**

- A. Broadvox - CLEC's End User places a long distance call
- B. Call is routed to Broadvox - CLEC switch
- C. If 8XX call, Broadvox - CLEC switch looks up IXC that should receive the call
- D. Call is routed to Access Tandem over shared transport
- E. Tandem Provider routes call to IXC

(C)  
(C)

**Originating Charges**

- Broadvox-CLEC charges IXC: Switched Access Service – Indirect Connection, which is comprised of Local Switching, Common Trunk Port, Tandem Switched Transport – Termination, Tandem Switched Transport – Facility, and 8XX query charges, as applicable
- Additional charges may apply per Tandem Provider tariff for functions performed by Tandem Provider

(C)  
(C)

**Terminating Call Flow**

- F. IXC delivers terminating long distance call to Access Tandem for routing to Broadvox - CLEC's End User
- E. Access Tandem routes call over shared transport (D) to Broadvox - CLEC switch
- B. Call is routed to Broadvox - CLEC's End User(A)

(C)  
(C)

**Terminating Charges**

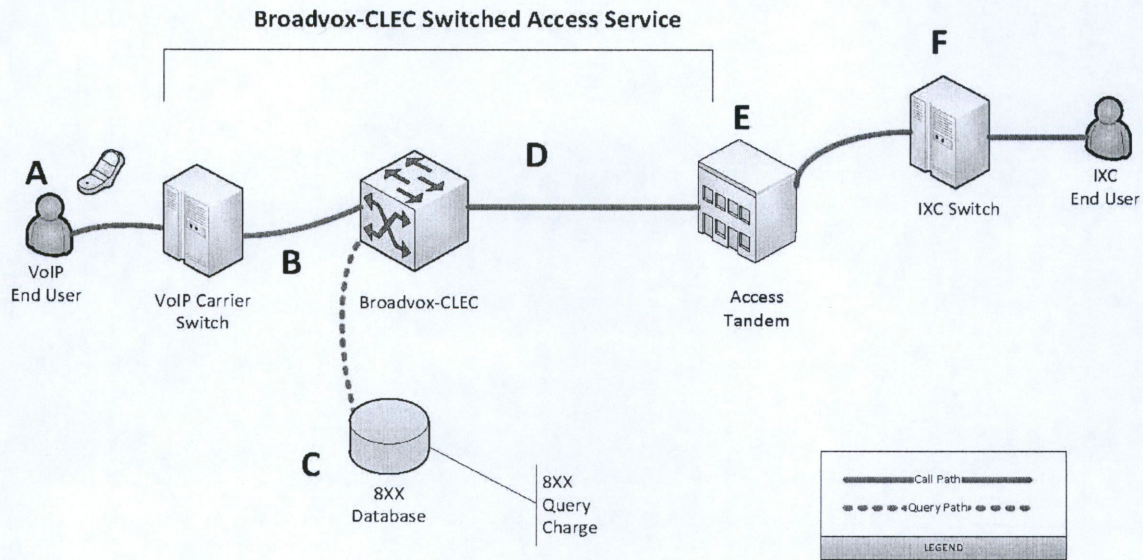
- Broadvox-CLEC charges IXC: Switched Access Service – Indirect Connection, which is comprised of Local Switching, Common Trunk Port, Tandem Switched Transport – Termination, and Tandem Switched Transport – Facility
- Additional charges may apply per Tandem Provider tariff for functions performed by Tandem Provider

(C)  
(C)

**SECTION 3 - SWITCHED ACCESS SERVICE, (CONT'D)**

**3.9 Call Flow Diagrams (Continued)**

**Originating and Terminating Access – Indirect Connection; VoIP Carrier End User**



Originating Call Flow

- A. VoIP End User places a long distance call that is routed to VoIP carrier switch
- B. VoIP carrier routes call to Broadvox - CLEC switch.
- C. If 8XX call, Broadvox - CLEC switch looks up IXC that should receive the call
- D. Call is routed to Access Tandem over Shared Transport
- E. Tandem Provider routes call to IXC

(C)

(C)

(C)

Originating Charges

- Broadvox - CLEC charges IXC: Switched Access Service – Indirect Connection, which is comprised of Local Switching, Common Trunk Port, Common Transport Multiplexing, Tandem Switching, Tandem Switched Transport – Termination, Tandem Switched Transport – Facility, and 8XX query charges, as applicable
- Additional charges may apply per Tandem Provider tariff for functions performed by Tandem Provider

(C)

Terminating Call Flow

- F. IXC delivers terminating long distance call to Access Tandem for routing to Broadvox - CLEC's telephone number
- E. Access Tandem routes call over shared transport (D) to Broadvox - CLEC switch
- B. Broadvox – CLEC routes the call to the VoIP carrier

(C)

(C)

Terminating Charges

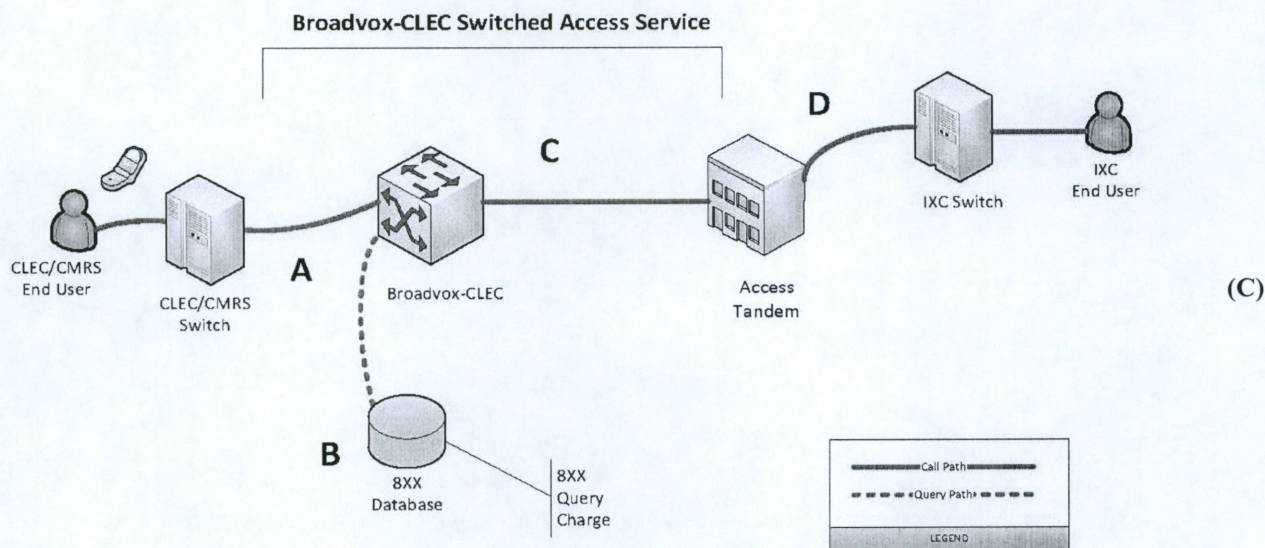
- Broadvox - CLEC charges IXC (1) Switched Access Service – Indirect Connection, which is comprised of Local Switching, Common Trunk Port, Common Transport Multiplexing, Tandem Switching, Tandem Switched Transport – Termination, and Tandem Switched Transport – Facility
- Additional charges may apply per Tandem Provider tariff for functions performed by Tandem Provider

(C)

SECTION 3 - SWITCHED ACCESS SERVICE, (CONT'D)

3.9 Call Flow Diagrams (Continued)

Originating and Terminating Access – Indirect Connection; CLEC/CMRS Carrier End User



Originating Call Flow

- A. CLEC/CMRS End User places a long distance call that is routed to Broadvox - CLEC switch
- B. If 8XX call, Broadvox - CLEC switch looks up IXC that should receive the call
- C. Call is routed to Access Tandem over shared transport
- D. Tandem Provider routes call to IXC

(C)  
(C)

Originating Charges

- Broadvox - CLEC charges IXC: Switched Access Service – Indirect Connection, which is comprised of: Common Trunk Port, Common Transport Multiplexing, Tandem Switching, Tandem Switched Transport – Termination, Tandem Switched Transport – Facility, and 8XX query charges, as applicable
- Additional charges may apply per Tandem Provider tariff for functions performed by Tandem Provider

(C)

Terminating Call Flow

- D. IXC delivers terminating long distance call to Access Tandem for routing to Broadvox - CLEC's telephone number
- C. Access Tandem routes call over shared transport to Broadvox - CLEC switch
- A. Broadvox - CLEC routes the call to the CLEC/CMRS carrier

(C)  
(C)

Terminating Charges

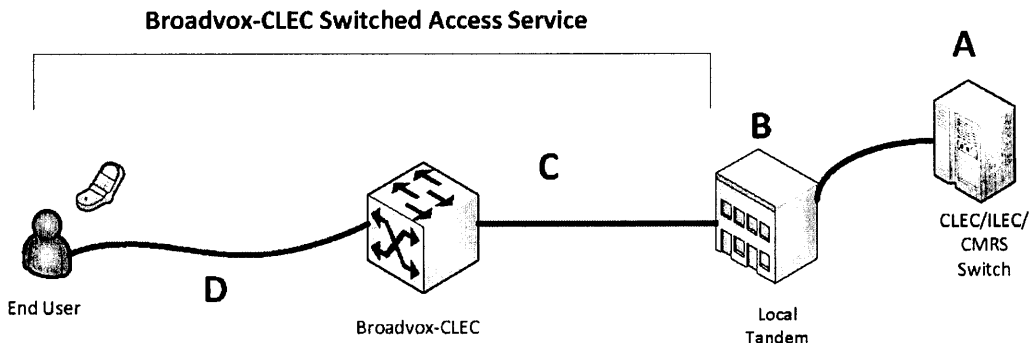
- Broadvox - CLEC charges IXC: Switched Access Service – Indirect Connection, which is comprised of: Common Trunk Port, Common Transport Multiplexing, Tandem Switching, Tandem Switched Transport – Termination, and Tandem Switched Transport – Facility
- Additional charges may apply per Tandem Provider tariffs for functions performed by Tandem Provider

(C)

**SECTION 3 - SWITCHED ACCESS SERVICE, (CONT'D)**

**3.9 Call Flow Diagrams (Continued)**

**Terminating Access for Non-Local Jurisdiction over Local Tandem – Indirect Connection;  
 CLEC/ILEC/CMRS Carrier End User**



(C)

**Terminating Call Flow**

- A. CLEC/ILEC/CMRS end user dials an Broadvox - CLEC Telephone Number
- B. CLEC/ILEC/CMRS routes the call to the Local Tandem
- C. Local Tandem Provider switches the call to the Broadvox - CLEC's local trunk group
- D. Call is routed across Shared Transport to the Broadvox - CLEC switch
- E. Broadvox - CLEC routes the call to the end user

(C)

(C)

**Terminating Charges**

- Broadvox - CLEC charges CLEC/ILEC/CMRS: Local Switching, Common Trunk Port, Common Transport Multiplexing, Tandem Switched Transport – Termination, and Tandem Switched Transport – Facility
- Additional charges may apply per Local Tandem Provider tariff for functions performed by Local Tandem Provider

(C)

(C)